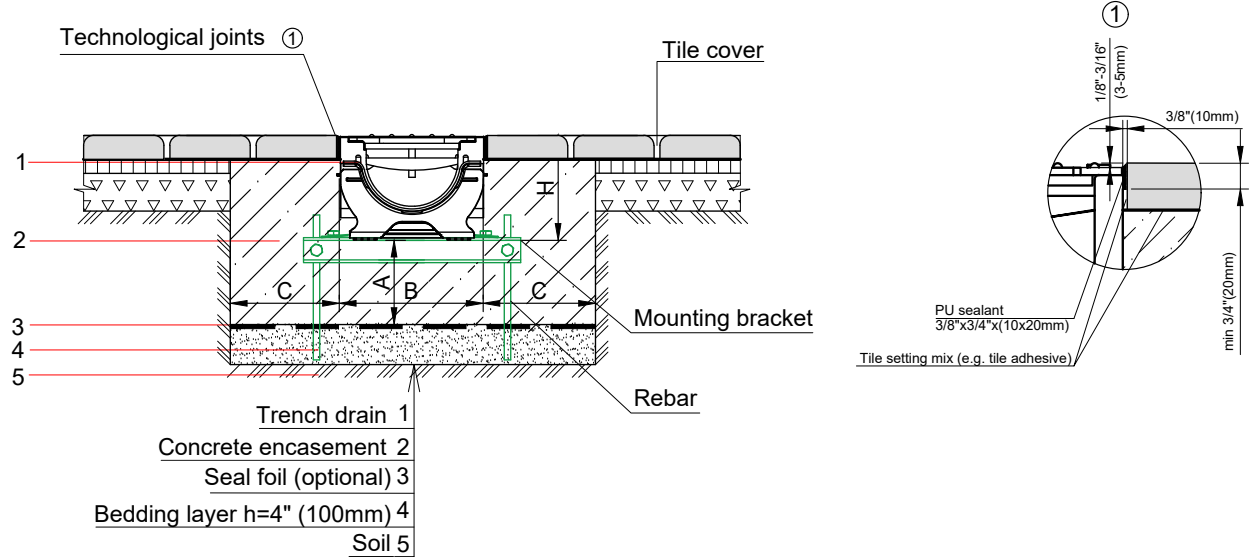


BASE 100P SYSTEM - LOAD CLASS A15-C250
ENCLOSED PAVER PAVEMENT INSTALLATION

4" (100mm) BASE PLASTIC TRENCH DRAIN



PARAMETER	LOAD CLASS		
	CLASS A	CLASS B	CLASS C
CONCRETE ENCASEMENT DEPTH (A), in	4" (100mm)	4" (100mm)	6" (150mm)
CONCRETE ENCASEMENT WIDTH (C), in	4" (100mm)	4" (100mm)	6" (150mm)

NOTES:

- SPECIFIER IS RESPONSIBLE FOR CONCRETE ENCASEMENT AND REINFORCING BASED UPON APPLICATION AND LOCAL CODES.
- EXPANSION AND CONTRACTION CONTROL JOINTS AND REINFORCEMENT ARE RECOMMENDED TO PROTECT CHANNEL AND CONCRETE SURROUND. ENGINEERING ADVICE MAY BE REQUIRED.
- THIS INSTALLATION SCHEME IS A RECOMMENDATION. CONSULT WITH THE MANUFACTURER FOR INSTALLATION INSTRUCTIONS.
- THE FINISHED LEVEL OF CONCRETE SURROUND SHOULD BE 1/8" - 3/16" (3-5mm) ABOVE THE TOP OF THE CHANNEL EDGE.

GENERAL: THE TRENCH DRAIN SHALL BE VODALAND CANADA BASE 100P AS MANUFACTURED BY VODALAND OR APPROVED EQUAL.

SPECIFICATION: BASE 100P TRENCH DRAIN SHALL BE 39.4" (1000mm) LONG AND THE NOMINAL CLEAR OPENING SHALL BE 4" (100mm) WITH 6.1" (156mm) OVERALL WIDTH. CHANNELS SHALL BE MANUFACTURED FROM UV STABILIZED 100% RECYCLED POLYPROPYLENE. UNITS SHALL HAVE MALE-TO-FEMALE INTERLOCKING JOINTS THAT WILL NOT SEPARATE DURING THE INSTALLATION. CHANNELS SHALL HAVE A RADIUS SELF CLEANING BOTTOM WITH A MANNING'S COEFFICIENT OF 0.009 AND 1% OR NEUTRAL 0% BUILT IN SLOPE. CHANNELS CAN BE EQUIPPED WITH STEEL EDGE RAILS IF REQUIRED. GRATINGS SHALL MEET THE SYSTEM LOAD CLASS SPECIFIED. CHANNELS AND GRATE SHALL WITHSTAND A REQUIRED EN1433 LOAD CLASS.

THE COMPLETE DRAINAGE SYSTEM SHALL BE BY VODALAND CANADA INC. ANY DEVIATION OR PARTIAL SYSTEM DESIGN AND/OR IMPROPER INSTALLATION WILL VOID ANY AND ALL WARRANTIES PROVIDED BY VODALAND CANADA INC.

BASE 100P SYSTEM - LOAD CLASS A15-C250

ENCLOSED PAVER PAVEMENT INSTALLATION

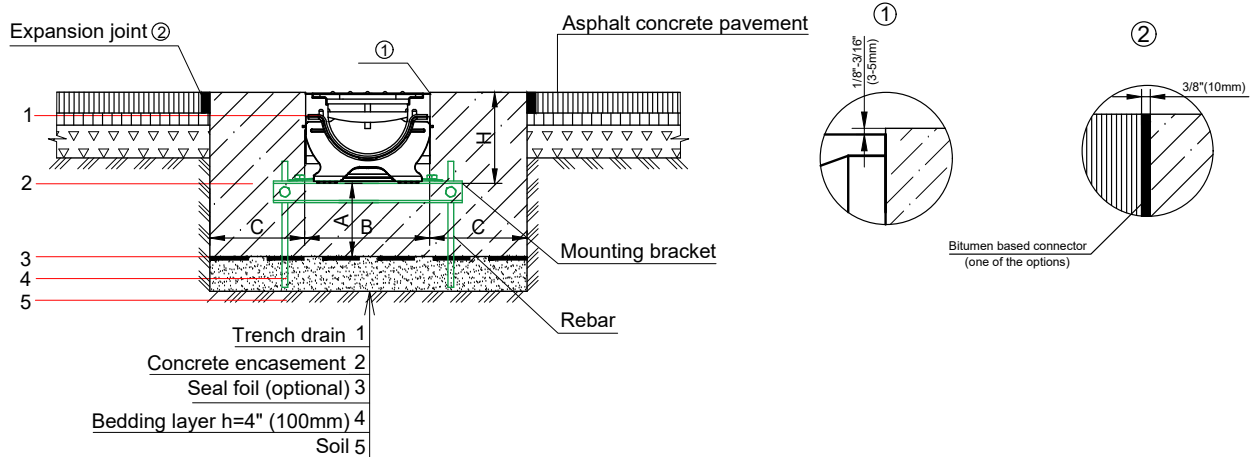
4" (100mm) BASE PLASTIC TRENCH DRAIN**CHECK AND SPECIFY APPROPRIATE OPTIONS:****GRATE OPTIONS:**

<input type="checkbox"/> 20101	GALVANIZED STEEL GRATE SLOTTED	A15
<input type="checkbox"/> 20601	COPPER GRATE SLOTTED	A15
<input type="checkbox"/> 20901	STAINLESS STEEL GRATE SLOTTED	A15
<input type="checkbox"/> 208019	PLASTIC GRATE SLOTTED	A15
<input type="checkbox"/> 202018	GALVANIZED STEEL GRATE ADA	A15
<input type="checkbox"/> 205018	STAINLESS STEEL GRATE ADA	A15
<input type="checkbox"/> 2020	GALVANIZED STEEL GRATE MESH ADA	B125
<input type="checkbox"/> 20902	STAINLESS STEEL GRATE MESH ADA	B125
<input type="checkbox"/> 20303	DUCTILE CAST IRON GRATE SLOTTED	C250
<input type="checkbox"/> 20403	DUCTILE CAST IRON GRATE MESH	C250
<input type="checkbox"/> 20403-ADA	DUCTILE CAST IRON GRATE ADA	C250
<input type="checkbox"/> 283031	DUCTILE CAST IRON GRATE SLOTTED	C250
<input type="checkbox"/> 203032	DUCTILE CAST IRON GRATE PROTECTOR	C250

ADDITIONAL OPTIONS:

- 4" END CAP
- 4" END CAP W/ OUTLET
- 4" MOUNTING BRACKET
- 4" STEEL EDGE RAILS

BASE 100P SYSTEM - LOAD CLASS A15-C250
 EXPOSED ASPHALT PAVEMENT INSTALLATION

4" (100mm) BASE PLASTIC TRENCH DRAIN


PARAMETER	LOAD CLASS		
	CLASS A	CLASS B	CLASS C
CONCRETE ENCASEMENT DEPTH (A), in	4" (100mm)	4" (100mm)	6" (150mm)
CONCRETE ENCASEMENT WIDTH (C), in	4" (100mm)	4" (100mm)	6" (150mm)

NOTES:

- SPECIFIER IS RESPONSIBLE FOR CONCRETE ENCASEMENT AND REINFORCING BASED UPON APPLICATION AND LOCAL CODES.
- EXPANSION AND CONTRACTION CONTROL JOINTS AND REINFORCEMENT ARE RECOMMENDED TO PROTECT CHANNEL AND CONCRETE SURROUND. ENGINEERING ADVICE MAY BE REQUIRED.
- THIS INSTALLATION SCHEME IS A RECOMMENDATION. CONSULT WITH THE MANUFACTURER FOR INSTALLATION INSTRUCTIONS.
- THE FINISHED LEVEL OF CONCRETE SURROUND SHOULD BE 1/8" - 3/16" (3-5mm) ABOVE THE TOP OF THE CHANNEL EDGE.

GENERAL: THE TRENCH DRAIN SHALL BE VODALAND CANADA BASE 100P AS MANUFACTURED BY VODALAND OR APPROVED EQUAL.

SPECIFICATION: BASE 100P TRENCH DRAIN SHALL BE 39.4" (1000mm) LONG AND THE NOMINAL CLEAR OPENING SHALL BE 4" (100mm) WITH 6.1" (156mm) OVERALL WIDTH. CHANNELS SHALL BE MANUFACTURED FROM UV STABILIZED 100% RECYCLED POLYPROPYLENE. UNITS SHALL HAVE MALE-TO-FEMALE INTERLOCKING JOINTS THAT WILL NOT SEPARATE DURING THE INSTALLATION. CHANNELS SHALL HAVE A RADIUS SELF CLEANING BOTTOM WITH A MANNING'S COEFFICIENT OF 0.009 AND 1% OR NEUTRAL 0% BUILT IN SLOPE. CHANNELS CAN BE EQUIPPED WITH STEEL EDGE RAILS IF REQUIRED. GRATINGS SHALL MEET THE SYSTEM LOAD CLASS SPECIFIED. CHANNELS AND GRATE SHALL WITHSTAND A REQUIRED EN1433 LOAD CLASS.

THE COMPLETE DRAINAGE SYSTEM SHALL BE BY VODALAND CANADA INC. ANY DEVIATION OR PARTIAL SYSTEM DESIGN AND/OR IMPROPER INSTALLATION WILL VOID ANY AND ALL WARRANTIES PROVIDED BY VODALAND CANADA INC.

REVISED: 2023

BASE 100P SYSTEM - LOAD CLASS A15-C250

EXPOSED ASPHALT PAVEMENT INSTALLATION

4" (100mm) BASE PLASTIC TRENCH DRAIN**CHECK AND SPECIFY APPROPRIATE OPTIONS:****GRATE OPTIONS:**

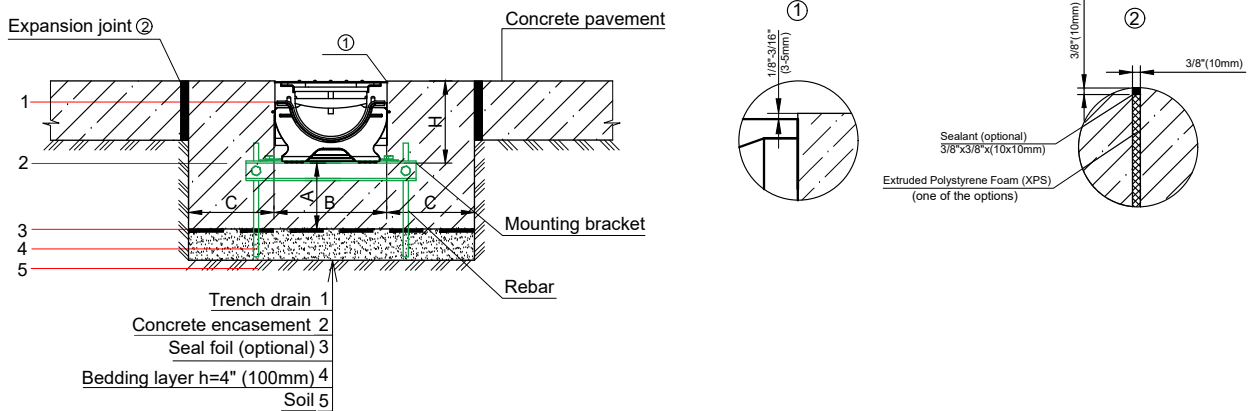
<input type="checkbox"/> 20101	GALVANIZED STEEL GRATE SLOTTED	A15
<input type="checkbox"/> 20601	COPPER GRATE SLOTTED	A15
<input type="checkbox"/> 20901	STAINLESS STEEL GRATE SLOTTED	A15
<input type="checkbox"/> 208019	PLASTIC GRATE SLOTTED	A15
<input type="checkbox"/> 202018	GALVANIZED STEEL GRATE ADA	A15
<input type="checkbox"/> 205018	STAINLESS STEEL GRATE ADA	A15
<input type="checkbox"/> 2020	GALVANIZED STEEL GRATE MESH ADA	B125
<input type="checkbox"/> 20902	STAINLESS STEEL GRATE MESH ADA	B125
<input type="checkbox"/> 20303	DUCTILE CAST IRON GRATE SLOTTED	C250
<input type="checkbox"/> 20403	DUCTILE CAST IRON GRATE MESH	C250
<input type="checkbox"/> 20403-ADA	DUCTILE CAST IRON GRATE ADA	C250
<input type="checkbox"/> 283031	DUCTILE CAST IRON GRATE SLOTTED	C250
<input type="checkbox"/> 203032	DUCTILE CAST IRON GRATE PROTECTOR	C250

ADDITIONAL OPTIONS:

<input type="checkbox"/> 4" END CAP
<input type="checkbox"/> 4" END CAP W/ OUTLET
<input type="checkbox"/> 4" MOUNTING BRACKET
<input type="checkbox"/> 4" STEEL EDGE RAILS

BASE 100P SYSTEM - LOAD CLASS A15-C250
EXPOSED CONCRETE PAVEMENT INSTALLATION

4" (100mm) BASE PLASTIC TRENCH DRAIN



PARAMETER	LOAD CLASS		
	CLASS A	CLASS B	CLASS C
CONCRETE ENCASEMENT DEPTH (A), in	4" (100mm)	4" (100mm)	6" (150mm)
CONCRETE ENCASEMENT WIDTH (C), in	4" (100mm)	4" (100mm)	6" (150mm)

NOTES:

- SPECIFIER IS RESPONSIBLE FOR CONCRETE ENCASEMENT AND REINFORCING BASED UPON APPLICATION AND LOCAL CODES.
- EXPANSION AND CONTRACTION CONTROL JOINTS AND REINFORCEMENT ARE RECOMMENDED TO PROTECT CHANNEL AND CONCRETE SURROUND. ENGINEERING ADVICE MAY BE REQUIRED.
- THIS INSTALLATION SCHEME IS A RECOMMENDATION. CONSULT WITH THE MANUFACTURER FOR INSTALLATION INSTRUCTIONS.
- THE FINISHED LEVEL OF CONCRETE SURROUND SHOULD BE 1/8" - 3/16" (3-5mm) ABOVE THE TOP OF THE CHANNEL EDGE.

GENERAL: THE TRENCH DRAIN SHALL BE VODALAND CANADA BASE 100P AS MANUFACTURED BY VODALAND OR APPROVED EQUAL.

SPECIFICATION: BASE 100P TRENCH DRAIN SHALL BE 39.4" (1000mm) LONG AND THE NOMINAL CLEAR OPENING SHALL BE 4" (100mm) WITH 6.1" (156mm) OVERALL WIDTH. CHANNELS SHALL BE MANUFACTURED FROM UV STABILIZED 100% RECYCLED POLYPROPYLENE. UNITS SHALL HAVE MALE-TO-FEMALE INTERLOCKING JOINTS THAT WILL NOT SEPARATE DURING THE INSTALLATION. CHANNELS SHALL HAVE A RADIUS SELF CLEANING BOTTOM WITH A MANNING'S COEFFICIENT OF 0.009 AND 1% OR NEUTRAL 0% BUILT IN SLOPE. CHANNELS CAN BE EQUIPPED WITH STEEL EDGE RAILS IF REQUIRED. GRATINGS SHALL MEET THE SYSTEM LOAD CLASS SPECIFIED. CHANNELS AND GRATE SHALL WITHSTAND A REQUIRED EN1433 LOAD CLASS.

THE COMPLETE DRAINAGE SYSTEM SHALL BE BY VODALAND CANADA INC. ANY DEVIATION OR PARTIAL SYSTEM DESIGN AND/OR IMPROPER INSTALLATION WILL VOID ANY AND ALL WARRANTIES PROVIDED BY VODALAND CANADA INC.

BASE 100P SYSTEM - LOAD CLASS A15-C250
EXPOSED CONCRETE PAVEMENT INSTALLATION**4" (100mm) BASE PLASTIC TRENCH DRAIN****CHECK AND SPECIFY APPROPRIATE OPTIONS:****GRATE OPTIONS:**

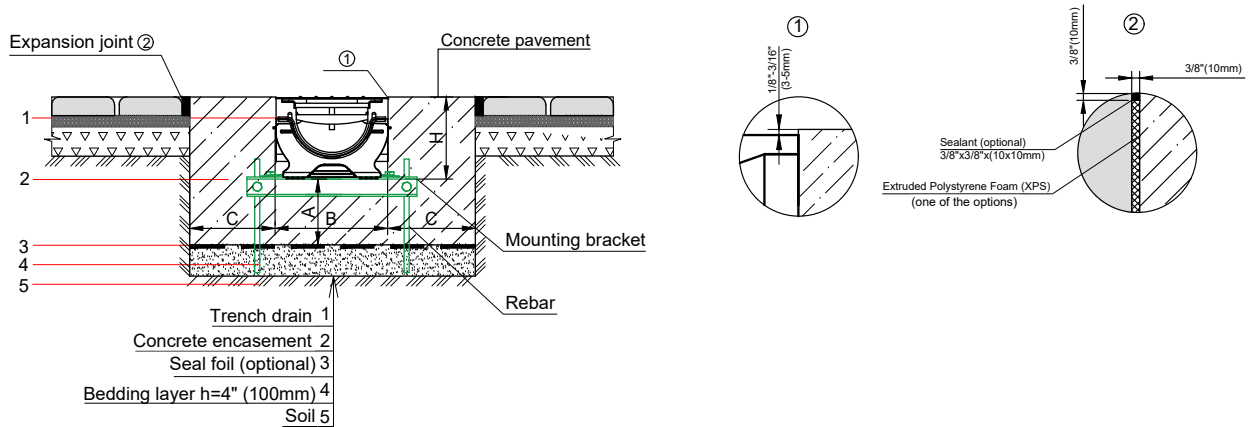
<input type="checkbox"/> 20101	GALVANIZED STEEL GRATE SLOTTED	A15
<input type="checkbox"/> 20601	COPPER GRATE SLOTTED	A15
<input type="checkbox"/> 20901	STAINLESS STEEL GRATE SLOTTED	A15
<input type="checkbox"/> 208019	PLASTIC GRATE SLOTTED	A15
<input type="checkbox"/> 202018	GALVANIZED STEEL GRATE ADA	A15
<input type="checkbox"/> 205018	STAINLESS STEEL GRATE ADA	A15
<input type="checkbox"/> 2020	GALVANIZED STEEL GRATE MESH ADA	B125
<input type="checkbox"/> 20902	STAINLESS STEEL GRATE MESH ADA	B125
<input type="checkbox"/> 20303	DUCTILE CAST IRON GRATE SLOTTED	C250
<input type="checkbox"/> 20403	DUCTILE CAST IRON GRATE MESH	C250
<input type="checkbox"/> 20403-ADA	DUCTILE CAST IRON GRATE ADA	C250
<input type="checkbox"/> 283031	DUCTILE CAST IRON GRATE SLOTTED	C250
<input type="checkbox"/> 203032	DUCTILE CAST IRON GRATE PROTECTOR	C250

ADDITIONAL OPTIONS:

- 4" END CAP
- 4" END CAP W/ OUTLET
- 4" MOUNTING BRACKET
- 4" STEEL EDGE RAILS

BASE 100P SYSTEM - LOAD CLASS A15-C250
EXPOSED PAVER PAVEMENT INSTALLATION

4" (100mm) BASE PLASTIC TRENCH DRAIN



PARAMETER	LOAD CLASS		
	CLASS A	CLASS B	CLASS C
CONCRETE ENCASEMENT DEPTH (A), in	4" (100mm)	4" (100mm)	6" (150mm)
CONCRETE ENCASEMENT WIDTH (C), in	4" (100mm)	4" (100mm)	6" (150mm)

NOTES:

1. SPECIFIER IS RESPONSIBLE FOR CONCRETE ENCASEMENT AND REINFORCING BASED UPON APPLICATION AND LOCAL CODES.
2. EXPANSION AND CONTRACTION CONTROL JOINTS AND REINFORCEMENT ARE RECOMMENDED TO PROTECT CHANNEL AND CONCRETE SURROUND. ENGINEERING ADVICE MAY BE REQUIRED.
3. THIS INSTALLATION SCHEME IS A RECOMMENDATION. CONSULT WITH THE MANUFACTURER FOR INSTALLATION INSTRUCTIONS.
4. THE FINISHED LEVEL OF CONCRETE SURROUND SHOULD BE 1/8" - 3/16" (3-5mm) ABOVE THE TOP OF THE CHANNEL EDGE.

GENERAL: THE TRENCH DRAIN SHALL BE VODALAND CANADA BASE 100P AS MANUFACTURED BY VODALAND OR APPROVED EQUAL.

SPECIFICATION: BASE 100P TRENCH DRAIN SHALL BE 39.4" (1000mm) LONG AND THE NOMINAL CLEAR OPENING SHALL BE 4" (100mm) WITH 6.1" (156mm) OVERALL WIDTH. CHANNELS SHALL BE MANUFACTURED FROM UV STABILIZED 100% RECYCLED POLYPROPYLENE. UNITS SHALL HAVE MALE-TO-FEMALE INTERLOCKING JOINTS THAT WILL NOT SEPARATE DURING THE INSTALLATION. CHANNELS SHALL HAVE A RADIUS SELF CLEANING BOTTOM WITH A MANNING'S COEFFICIENT OF 0.009 AND 1% OR NEUTRAL 0% BUILT IN SLOPE. CHANNELS CAN BE EQUIPPED WITH STEEL EDGE RAILS IF REQUIRED. GRATINGS SHALL MEET THE SYSTEM LOAD CLASS SPECIFIED. CHANNELS AND GRATE SHALL WITHSTAND A REQUIRED EN1433 LOAD CLASS.

THE COMPLETE DRAINAGE SYSTEM SHALL BE BY VODALAND CANADA INC. ANY DEVIATION OR PARTIAL SYSTEM DESIGN AND/OR IMPROPER INSTALLATION WILL VOID ANY AND ALL WARRANTIES PROVIDED BY VODALAND CANADA INC.

BASE 100P SYSTEM - LOAD CLASS A15-C250
EXPOSED PAVER PAVEMENT INSTALLATION**4" (100mm) BASE PLASTIC TRENCH DRAIN****CHECK AND SPECIFY APPROPRIATE OPTIONS:****GRATE OPTIONS:**

<input type="checkbox"/> 20101	GALVANIZED STEEL GRATE SLOTTED	A15
<input type="checkbox"/> 20601	COPPER GRATE SLOTTED	A15
<input type="checkbox"/> 20901	STAINLESS STEEL GRATE SLOTTED	A15
<input type="checkbox"/> 208019	PLASTIC GRATE SLOTTED	A15
<input type="checkbox"/> 202018	GALVANIZED STEEL GRATE ADA	A15
<input type="checkbox"/> 205018	STAINLESS STEEL GRATE ADA	A15
<input type="checkbox"/> 2020	GALVANIZED STEEL GRATE MESH ADA	B125
<input type="checkbox"/> 20902	STAINLESS STEEL GRATE MESH ADA	B125
<input type="checkbox"/> 20303	DUCTILE CAST IRON GRATE SLOTTED	C250
<input type="checkbox"/> 20403	DUCTILE CAST IRON GRATE MESH	C250
<input type="checkbox"/> 20403-ADA	DUCTILE CAST IRON GRATE ADA	C250
<input type="checkbox"/> 283031	DUCTILE CAST IRON GRATE SLOTTED	C250
<input type="checkbox"/> 203032	DUCTILE CAST IRON GRATE PROTECTOR	C250

ADDITIONAL OPTIONS:

<input type="checkbox"/> 4" END CAP
<input type="checkbox"/> 4" END CAP W/ OUTLET
<input type="checkbox"/> 4" MOUNTING BRACKET
<input type="checkbox"/> 4" STEEL EDGE RAILS