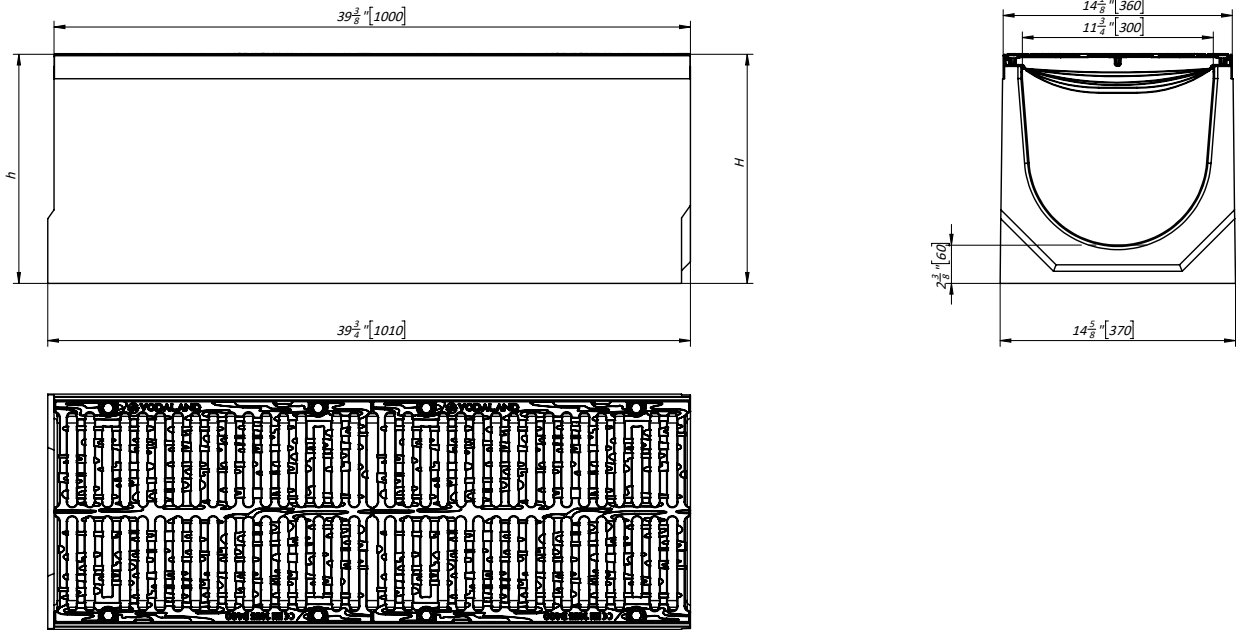


PRO 300FC SYSTEM - LOAD CLASS D400

12" (300mm) PRO FIBER CONCRETE TRENCH DRAIN



General: The trench drain shall be Vodaland Canada PRO 300FC complete with grates as manufactured by Vodaland or approved equal.

Specification: Channels shall be 39.4" (1000mm) long and the nominal clear opening shall be 12" (300mm) with 14.17" (360mm) overall width and built-in slope of 0.5% or 1% per specifier's requirements. Channels shall have male-to-female interlocking joints. Gratings shall be ductile cast iron fastened to steel edge rails and meet system load class specified. Channels and grates shall withstand a required EN1433 load class.

Materials: PRO 300FC trench drain shall be manufactured from fiber reinforced concrete with cast-in galvanized steel edge rails.

Compressive strength:	> 45 Mpa
Flexural strength:	> 20 Mpa
Frost resistant:	Yes
Non Flammable:	Yes
UV Resistant:	Yes
Recyclable 100%:	Yes
Dilute acid and alkali resistant:	Yes
Material free of VOC, biocides, heavy metals:	Yes
Water absorption is sufficient for adhesion with concrete surfaces:	Yes

Notes:

1. See flow rate chart for channel flow rates.

PRO 300FC SYSTEM - LOAD CLASS D400
12" (300mm) PRO FIBER CONCRETE TRENCH DRAIN
Neutral slope

Name	Item #	H, in	H, mm	W, lb
PRO 300FC trench drain H10.2"	047071334/260	10.2	260	330.9
PRO 300FC trench drain H10.4"	047071334/265	10.4	265	332.5
PRO 300FC trench drain H10.6"	047071334/270	10.6	270	334.0
PRO 300FC trench drain H10.8"	047071334/275	10.8	275	335.5
PRO 300FC trench drain H11.0"	047071334/280	11.0	280	337.1
PRO 300FC trench drain H11.2"	047071334/285	11.2	285	338.6
PRO 300FC trench drain H11.4"	047071334/290	11.4	290	340.2
PRO 300FC trench drain H11.6"	047071334/295	11.6	295	341.7
PRO 300FC trench drain H11.8"	047071334/300	11.8	300	343.2
PRO 300FC trench drain H12.0"	047071334/305	12.0	305	344.8
PRO 300FC trench drain H12.2"	047071334/310	12.2	310	346.3
PRO 300FC trench drain H12.4"	047071334/315	12.4	315	347.9
PRO 300FC trench drain H12.6"	047071334/320	12.6	320	349.4
PRO 300FC trench drain H12.8"	047071334/325	12.8	325	350.9
PRO 300FC trench drain H13.0"	047071334/330	13.0	330	352.5
PRO 300FC trench drain H13.2"	047071334/335	13.2	335	354.0
PRO 300FC trench drain H13.4"	047071334/340	13.4	340	355.6
PRO 300FC trench drain H13.6"	047071334/345	13.6	345	357.1
PRO 300FC trench drain H13.8"	047071334/350	13.8	350	358.6
PRO 300FC trench drain H14.0"	047071334/355	14.0	355	360.2
PRO 300FC trench drain H14.2"	047071334/360	14.2	360	361.7
PRO 300FC trench drain H14.4"	047071334/365	14.4	365	363.3
PRO 300FC trench drain H14.6"	047071334/370	14.6	370	364.8
PRO 300FC trench drain H14.8"	047071334/375	14.8	375	366.3
PRO 300FC trench drain H15.0"	047071334/380	15.0	380	367.9
PRO 300FC trench drain H15.2"	047071334/385	15.2	385	369.4
PRO 300FC trench drain H15.4"	047071334/390	15.4	390	371.0
PRO 300FC trench drain H15.6"	047071334/395	15.6	395	372.5
PRO 300FC trench drain H15.7"	047071334/400	15.7	400	374.0
PRO 300FC trench drain H15.9"	047071334/405	15.9	405	375.6
PRO 300FC trench drain H16.1"	047071334/410	16.1	410	377.1

Notes:

1. Each channel can have a bottom outlet Ø250mm

REVISED: 2023

PRO 300FC SYSTEM - LOAD CLASS D400
12" (300mm) PRO FIBER CONCRETE TRENCH DRAIN
0.5% slope

Name	Article	H, in	H, mm	h, in	h, mm	W, lb
PRO 300FC trench drain H10.4"-10.2"	047071334/265-260	10.4	265	10.2	260	331.5
PRO 300FC trench drain H10.6"-10.4"	047071334/270-265	10.6	270	10.4	265	333.0
PRO 300FC trench drain H10.8"-10.6"	047071334/275-270	10.8	275	10.6	270	334.6
PRO 300FC trench drain H11.0"-10.8"	047071334/280-275	11.0	280	10.8	275	336.1
PRO 300FC trench drain H11.2"-11.0"	047071334/285-280	11.2	285	11.0	280	337.7
PRO 300FC trench drain H11.4"-11.2"	047071334/290-285	11.4	290	11.2	285	339.2
PRO 300FC trench drain H11.6"-11.4"	047071334/295-290	11.6	295	11.4	290	340.7
PRO 300FC trench drain H11.8"-11.6"	047071334/300-295	11.8	300	11.6	295	342.3
PRO 300FC trench drain H12.0"-11.8"	047071334/305-300	12.0	305	11.8	300	343.8
PRO 300FC trench drain H12.2"-12.0"	047071334/310-305	12.2	310	12.0	305	345.4
PRO 300FC trench drain H12.4"-12.2"	047071334/315-310	12.4	315	12.2	310	346.9
PRO 300FC trench drain H12.6"-12.4"	047071334/320-315	12.6	320	12.4	315	348.4
PRO 300FC trench drain H12.8"-12.6"	047071334/325-320	12.8	325	12.6	320	350.0
PRO 300FC trench drain H13.0"-12.8"	047071334/330-325	13.0	330	12.8	325	351.5
PRO 300FC trench drain H13.2"-13.0"	047071334/335-330	13.2	335	13.0	330	353.1
PRO 300FC trench drain H13.4"-13.2"	047071334/340-335	13.4	340	13.2	335	354.6
PRO 300FC trench drain H13.6"-13.4"	047071334/345-340	13.6	345	13.4	340	356.1
PRO 300FC trench drain H13.8"-13.6"	047071334/350-345	13.8	350	13.6	345	357.7
PRO 300FC trench drain H14.0"-13.8"	047071334/355-350	14.0	355	13.8	350	359.2
PRO 300FC trench drain H14.2"-14.0"	047071334/360-355	14.2	360	14.0	355	360.8
PRO 300FC trench drain H14.4"-14.2"	047071334/365-360	14.4	365	14.2	360	362.3
PRO 300FC trench drain H14.6"-14.4"	047071334/370-365	14.6	370	14.4	365	363.8
PRO 300FC trench drain H14.8"-14.6"	047071334/375-370	14.8	375	14.6	370	365.4
PRO 300FC trench drain H15.0"-14.8"	047071334/380-375	15.0	380	14.8	375	366.9
PRO 300FC trench drain H15.2"-15.0"	047071334/385-380	15.2	385	15.0	380	368.6
PRO 300FC trench drain H15.4"-15.2"	047071334/390-385	15.4	390	15.2	385	370.1
PRO 300FC trench drain H15.6"-15.4"	047071334/395-390	15.6	395	15.4	390	371.0
PRO 300FC trench drain H15.7"-15.6"	047071334/400-395	15.7	400	15.6	395	373.2
PRO 300FC trench drain H15.9"-15.7"	047071334/405-400	15.9	405	15.7	400	374.7
PRO 300FC trench drain H16.1"-15.9"	047071334/410-405	16.1	410	15.9	405	376.3

Notes:

1. Each channel can have a bottom outlet Ø250mm

REVISED: 2023

PRO 300FC SYSTEM - LOAD CLASS D400
12" (300mm) PRO FIBER CONCRETE TRENCH DRAIN
1% slope

Name	Article	H, in	H, mm	h, in	h, mm	W, lb
PRO 300FC trench drain H10.6"-10.2"	047071334/270-260	10.6	270	10.2	260	332.2
PRO 300FC trench drain H11"-10.6"	047071334/280-270	11	280	10.6	270	335.3
PRO 300FC trench drain H11.4"-11"	047071334/290-280	11.4	290	11	280	338.4
PRO 300FC trench drain H11.8"-11.4"	047071334/300-290	11.8	300	11.4	290	341.2
PRO 300FC trench drain H12.2"-11.8"	047071334/310-300	12.2	310	11.8	300	344.5
PRO 300FC trench drain H12.6"-12.2"	047071334/320-310	12.6	320	12.2	310	347.6
PRO 300FC trench drain H13"-12.6"	047071334/330-320	13	330	12.6	320	350.7
PRO 300FC trench drain H13.4"-13"	047071334/340-330	13.4	340	13	330	353.8
PRO 300FC trench drain H13.8"-13.4"	047071334/350-340	13.8	350	13.4	340	356.8
PRO 300FC trench drain H14.2"-13.8"	047071334/360-350	14.2	360	13.8	350	359.9
PRO 300FC trench drain H14.6"-14.2"	047071334/370-360	14.6	370	14.2	360	363.0
PRO 300FC trench drain H15"-14.6"	047071334/380-370	15	380	14.6	370	366.1
PRO 300FC trench drain H15.4"-15"	047071334/390-380	15.4	390	15	380	369.2
PRO 300FC trench drain H15.7"-15.4"	047071334/400-390	15.7	400	15.4	390	372.2
PRO 300FC trench drain H16.1"-15.7"	047071334/410-400	16.1	410	15.7	400	375.3

Notes:

1. Each channel can have a bottom outlet Ø250mm

Flow rate chart, 1% slope

Channel item #	GPM		L/s	
	70% water fill	100% water fill	70% water fill	100% water fill
047071334/270-260	626.57	1141.86	39.53	72.04
047071334/280-270	682.83	1229.04	43.08	77.54
047071334/290-280	739.90	1316.85	46.68	83.08
047071334/300-290	797.43	1405.45	50.31	88.67
047071334/310-300	855.76	1494.53	53.99	94.29
047071334/320-310	914.72	1584.09	57.71	99.94
047071334/330-320	974.01	1674.12	61.45	105.62
047071334/340-330	1033.92	1764.46	65.23	111.32
047071334/350-340	1094.15	1855.29	69.03	117.05
047071334/360-350	1154.86	1946.43	72.86	122.80
047071334/370-360	1215.88	2037.88	76.71	128.57
047071334/380-370	1277.22	2129.66	80.58	134.36
047071334/390-380	1339.04	2221.75	84.48	140.17
047071334/400-390	1401.01	2314.00	88.39	145.99
047071334/410-400	1463.31	2406.56	92.32	151.83

REVISED: 2023

PRO 300FC SYSTEM - LOAD CLASS D400

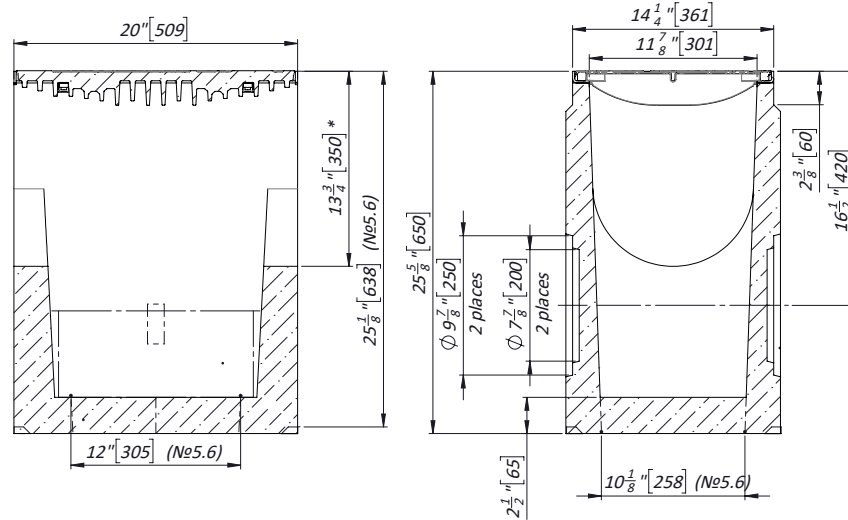
12" (300mm) PRO FIBER CONCRETE TRENCH DRAIN

Flow rate chart, 0.5% slope

Channel item #	GPM		L/s	
	70% water fill	100% water fill	70% water fill	100% water fill
047071334/265-260	433.19	792.04	27.33	49.97
047071334/270-265	453.00	822.79	28.58	51.91
047071334/275-270	472.82	853.54	29.83	53.85
047071334/280-275	492.79	884.45	31.09	55.80
047071334/285-280	512.92	915.52	32.36	57.76
047071334/290-285	533.21	946.74	33.64	59.73
047071334/295-290	553.65	978.13	34.93	61.71
047071334/300-295	574.10	1009.51	36.22	63.69
047071334/305-300	594.71	1040.89	37.52	65.67
047071334/310-305	615.47	1072.59	38.83	67.67
047071334/315-310	636.23	1104.14	40.14	69.66
047071334/320-315	657.16	1136.00	41.46	71.67
047071334/325-320	678.24	1167.86	42.79	73.68
047071334/330-325	699.32	1199.71	44.12	75.69
047071334/335-330	720.40	1231.73	45.45	77.71
047071334/340-335	741.64	1263.75	46.79	79.73
047071334/345-340	763.04	1295.77	48.14	81.75
047071334/350-345	784.43	1327.94	49.49	83.78
047071334/355-350	802.82	1360.28	50.65	85.82
047071334/360-355	827.39	1392.46	52.20	87.85
047071334/365-360	848.95	1424.79	53.56	89.89
047071334/370-365	870.50	1457.28	54.92	91.94
047071334/375-370	892.22	1489.62	56.29	93.98
047071334/380-375	914.09	1522.11	57.67	96.03
047071334/385-380	935.81	1554.76	59.04	98.09
047071334/390-385	957.68	1587.26	60.42	100.14
047071334/395-390	979.71	1619.91	61.81	102.2
047071334/400-395	1001.59	1652.56	63.19	104.26
047071334/405-400	1023.62	1685.37	64.58	106.33
047071334/410-405	1045.65	1718.02	65.97	108.39

PRO 300FC SYSTEM - LOAD CLASS D400

12" (300mm) PRO FIBER CONCRETE INLINE CATCH BASIN



General: The inline catch basin shall be Vodaland Canada PRO 300FC complete with gratings as manufactured by Vodaland or approved equal.

Specification: Catch basin shall be 20" (509mm) long and the nominal clear opening shall be 12" (300mm) with 14.3" (361mm) overall width. Gratings shall be ductile cast iron fastened to steel edge rails and meet system load class specified. Channels and gratings shall withstand a required EN1433 load class.

Materials: PRO 300FC trench drain shall be manufactured from fiber reinforced concrete with cast-in galvanized steel edge rails.

Compressive strength:	> 45 Mpa
Flexural strength:	> 20 Mpa
Frost resistant:	Yes
Non Flammable:	Yes
UV Resistant:	Yes
Recyclable 100%:	Yes
Dilute acid and alkali resistant:	Yes
Material free of VOC, biocides, heavy metals:	Yes
Water absorption is sufficient for adhesion with concrete surfaces:	Yes

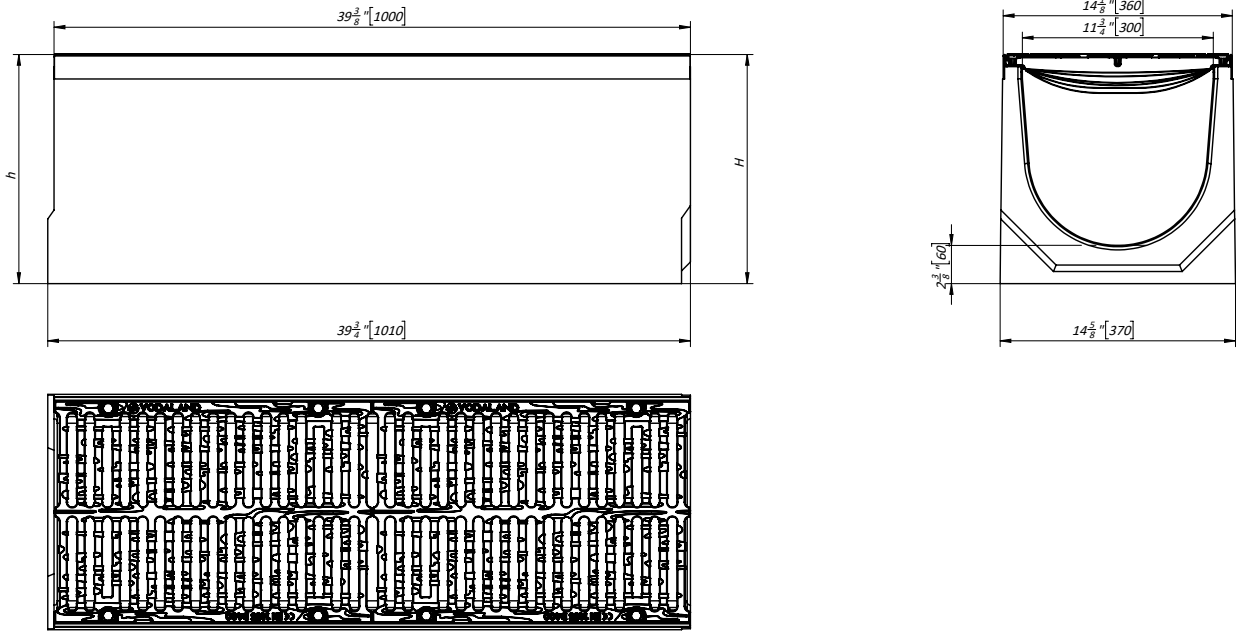
#	Name	Article	W, lb
1	PRO 300FC inline catch basin	047871334	305.8
2	PRO 300FC inline catch basin w/ outlet Ø200mm	047871334-P200	302.5
3	PRO 300FC inline catch basin w/ basket	047871334-K	307.3
4	PRO 300FC inline catch basin w/ basket and w/ outlet Ø110mm	047871334-P200-K	306.0
5	PRO 300FC inline catch basin top part	047871334/1	286.4
6	PRO 300FC inline catch basin top part w/ basket	047871334/1-K	290.0

Notes:

1. Inline catch basins can feature drain sockets Ø200mm or Ø250mm

PRO 300FC SYSTEM - LOAD CLASS E600

12" (300mm) PRO FIBER CONCRETE TRENCH DRAIN



General: The trench drain shall be Vodaland Canada PRO 300FC complete with grates as manufactured by Vodaland or approved equal.

Specification: Channels shall be 39.4" (1000mm) long and the nominal clear opening shall be 12" (300mm) with 14.17" (360mm) overall width and built-in slope of 0.5% or 1% per specifier's requirements. Channels shall have male-to-female interlocking joints. Gratings shall be ductile cast iron fastened to steel edge rails and meet system load class specified. Channels and grates shall withstand a required EN1433 load class.

Materials: PRO 300FC trench drain shall be manufactured from fiber reinforced concrete with cast-in galvanized steel edge rails.

Compressive strength:	> 45 Mpa
Flexural strength:	> 20 Mpa
Frost resistant:	Yes
Non Flammable:	Yes
UV Resistant:	Yes
Recyclable 100%:	Yes
Dilute acid and alkali resistant:	Yes
Material free of VOC, biocides, heavy metals:	Yes
Water absorption is sufficient for adhesion with concrete surfaces:	Yes

Notes:

1. See flow rate chart for channel flow rates.

PRO 300FC SYSTEM - LOAD CLASS E600
12" (300mm) PRO FIBER CONCRETE TRENCH DRAIN
Neutral slope

Name	Item #	H, in	H, mm	W, lb
PRO 300FC trench drain H10.2"	04707155/260	10.2	260	323.4
PRO 300FC trench drain H10.4"	04707155/265	10.4	265	325.0
PRO 300FC trench drain H10.6"	04707155/270	10.6	270	326.5
PRO 300FC trench drain H10.8"	04707155/275	10.8	275	328.0
PRO 300FC trench drain H11.0"	04707155/280	11.0	280	329.8
PRO 300FC trench drain H11.2"	04707155/285	11.2	285	331.4
PRO 300FC trench drain H11.4"	04707155/290	11.4	290	332.9
PRO 300FC trench drain H11.6"	04707155/295	11.6	295	334.4
PRO 300FC trench drain H11.8"	04707155/300	11.8	300	336.0
PRO 300FC trench drain H12.0"	04707155/305	12.0	305	337.7
PRO 300FC trench drain H12.2"	04707155/310	12.2	310	339.3
PRO 300FC trench drain H12.4"	04707155/315	12.4	315	340.8
PRO 300FC trench drain H12.6"	04707155/320	12.6	320	342.4
PRO 300FC trench drain H12.8"	04707155/325	12.8	325	343.9
PRO 300FC trench drain H13.0"	04707155/330	13.0	330	345.7
PRO 300FC trench drain H13.2"	04707155/335	13.2	335	347.2
PRO 300FC trench drain H13.4"	04707155/340	13.4	340	348.8
PRO 300FC trench drain H13.6"	04707155/345	13.6	345	350.3
PRO 300FC trench drain H13.8"	04707155/350	13.8	350	351.9
PRO 300FC trench drain H14.0"	04707155/355	14.0	355	353.6
PRO 300FC trench drain H14.2"	04707155/360	14.2	360	355.2
PRO 300FC trench drain H14.4"	04707155/365	14.4	365	356.7
PRO 300FC trench drain H14.6"	04707155/370	14.6	370	358.3
PRO 300FC trench drain H14.8"	04707155/375	14.8	375	359.8
PRO 300FC trench drain H15.0"	04707155/380	15.0	380	361.6
PRO 300FC trench drain H15.2"	04707155/385	15.2	385	363.1
PRO 300FC trench drain H15.4"	04707155/390	15.4	390	364.6
PRO 300FC trench drain H15.6"	04707155/395	15.6	395	366.2
PRO 300FC trench drain H15.7"	04707155/400	15.7	400	367.7
PRO 300FC trench drain H15.9"	04707155/405	15.9	405	369.5
PRO 300FC trench drain H16.1"	04707155/410	16.1	410	371.0

Notes:

1. Each channel can have a bottom outlet Ø250mm

REVISED: 2024
Vodaland Canada Inc.

 1-5900 Ambler Dr, Mississauga, ON L4W 2N3 • Phone: 905-238-1771 • Email: info@vodaland.ca

PRO 300FC SYSTEM - LOAD CLASS E600

12" (300mm) PRO FIBER CONCRETE TRENCH DRAIN

0.5% slope

Name	Article	H, in	H, mm	h, in	h, mm	W, lb
PRO 300FC trench drain H10.4"-10.2"	04707155/265-260	10.4	265	10.2	260	324.8
PRO 300FC trench drain H10.6"-10.4"	04707155/270-265	10.6	270	10.4	265	326.8
PRO 300FC trench drain H10.8"-10.6"	04707155/275-270	10.8	275	10.6	270	327.9
PRO 300FC trench drain H11.0"-10.8"	04707155/280-275	11.0	280	10.8	275	329.5
PRO 300FC trench drain H11.2"-11.0"	04707155/285-280	11.2	285	11.0	280	331.0
PRO 300FC trench drain H11.4"-11.2"	04707155/290-285	11.4	290	11.2	285	332.6
PRO 300FC trench drain H11.6"-11.4"	04707155/295-290	11.6	295	11.4	290	334.2
PRO 300FC trench drain H11.8"-11.6"	04707155/300-295	11.8	300	11.6	295	335.7
PRO 300FC trench drain H12.0"-11.8"	04707155/305-300	12.0	305	11.8	300	337.3
PRO 300FC trench drain H12.2"-12.0"	04707155/310-305	12.2	310	12.0	305	338.9
PRO 300FC trench drain H12.4"-12.2"	04707155/315-310	12.4	315	12.2	310	340.4
PRO 300FC trench drain H12.6"-12.4"	04707155/320-315	12.6	320	12.4	315	342.0
PRO 300FC trench drain H12.8"-12.6"	04707155/325-320	12.8	325	12.6	320	343.6
PRO 300FC trench drain H13.0"-12.8"	04707155/330-325	13.0	330	12.8	325	345.1
PRO 300FC trench drain H13.2"-13.0"	04707155/335-330	13.2	335	13.0	330	346.7
PRO 300FC trench drain H13.4"-13.2"	04707155/340-335	13.4	340	13.2	335	348.3
PRO 300FC trench drain H13.6"-13.4"	04707155/345-340	13.6	345	13.4	340	349.8
PRO 300FC trench drain H13.8"-13.6"	04707155/350-345	13.8	350	13.6	345	351.4
PRO 300FC trench drain H14.0"-13.8"	04707155/355-350	14.0	355	13.8	350	353.0
PRO 300FC trench drain H14.2"-14.0"	04707155/360-355	14.2	360	14.0	355	354.5
PRO 300FC trench drain H14.4"-14.2"	04707155/365-360	14.4	365	14.2	360	356.1
PRO 300FC trench drain H14.6"-14.4"	04707155/370-365	14.6	370	14.4	365	357.7
PRO 300FC trench drain H14.8"-14.6"	04707155/375-370	14.8	375	14.6	370	359.2
PRO 300FC trench drain H15.0"-14.8"	04707155/380-375	15.0	380	14.8	375	360.8
PRO 300FC trench drain H15.2"-15.0"	04707155/385-380	15.2	385	15.0	380	362.4
PRO 300FC trench drain H15.4"-15.2"	04707155/390-385	15.4	390	15.2	385	363.9
PRO 300FC trench drain H15.6"-15.4"	04707155/395-390	15.6	395	15.4	390	365.5
PRO 300FC trench drain H15.7"-15.6"	04707155/400-395	15.7	400	15.6	395	367.0
PRO 300FC trench drain H15.9"-15.7"	04707155/405-400	15.9	405	15.7	400	368.6
PRO 300FC trench drain H16.1"-15.9"	04707155/410-405	16.1	410	15.9	405	370.2

Notes:

1. Each channel can have a bottom outlet Ø250mm

PRO 300FC SYSTEM - LOAD CLASS E600

12" (300mm) PRO FIBER CONCRETE TRENCH DRAIN

1% slope

Name	Article	H, in	H, mm	h, in	h, mm	W, lb
PRO 300FC trench drain H10.6"-10.2"	04707155/270-260	10.6	270	10.2	260	326.3
PRO 300FC trench drain H11"-10.6"	04707155/280-270	11	280	10.6	270	329.5
PRO 300FC trench drain H11.4"-11"	04707155/290-280	11.4	290	11	280	332.6
PRO 300FC trench drain H11.8"-11.4"	04707155/300-290	11.8	300	11.4	290	335.7
PRO 300FC trench drain H12.2"-11.8"	04707155/310-300	12.2	310	11.8	300	338.9
PRO 300FC trench drain H12.6"-12.2"	04707155/320-310	12.6	320	12.2	310	342.0
PRO 300FC trench drain H13"-12.6"	04707155/330-320	13	330	12.6	320	345.1
PRO 300FC trench drain H13.4"-13"	04707155/340-330	13.4	340	13	330	348.3
PRO 300FC trench drain H13.8"-13.4"	04707155/350-340	13.8	350	13.4	340	351.4
PRO 300FC trench drain H14.2"-13.8"	04707155/360-350	14.2	360	13.8	350	354.5
PRO 300FC trench drain H14.6"-14.2"	04707155/370-360	14.6	370	14.2	360	357.7
PRO 300FC trench drain H15"-14.6"	04707155/380-370	15	380	14.6	370	360.8
PRO 300FC trench drain H15.4"-15"	04707155/390-380	15.4	390	15	380	363.9
PRO 300FC trench drain H15.7"-15.4"	04707155/400-390	15.7	400	15.4	390	367.0
PRO 300FC trench drain H16.1"-15.7"	04707155/410-400	16.1	410	15.7	400	370.2

Notes:

1. Each channel can have a bottom outlet Ø250mm

Flow rate chart, 1% slope

Channel item #	GPM		L/s	
	70% water fill	100% water fill	70% water fill	100% water fill
04707155/270-260	626.57	1141.86	39.53	72.04
04707155/280-270	682.83	1229.04	43.08	77.54
04707155/290-280	739.90	1316.85	46.68	83.08
04707155/300-290	797.43	1405.45	50.31	88.67
04707155/310-300	855.76	1494.53	53.99	94.29
04707155/320-310	914.72	1584.09	57.71	99.94
04707155/330-320	974.01	1674.12	61.45	105.62
04707155/340-330	1033.92	1764.46	65.23	111.32
04707155/350-340	1094.15	1855.29	69.03	117.05
04707155/360-350	1154.86	1946.43	72.86	122.80
04707155/370-360	1215.88	2037.88	76.71	128.57
04707155/380-370	1277.22	2129.66	80.58	134.36
04707155/390-380	1339.04	2221.75	84.48	140.17
04707155/400-390	1401.01	2314.00	88.39	145.99
04707155/410-400	1463.31	2406.56	92.32	151.83

REVISED: 2024

PRO 300FC SYSTEM - LOAD CLASS D400

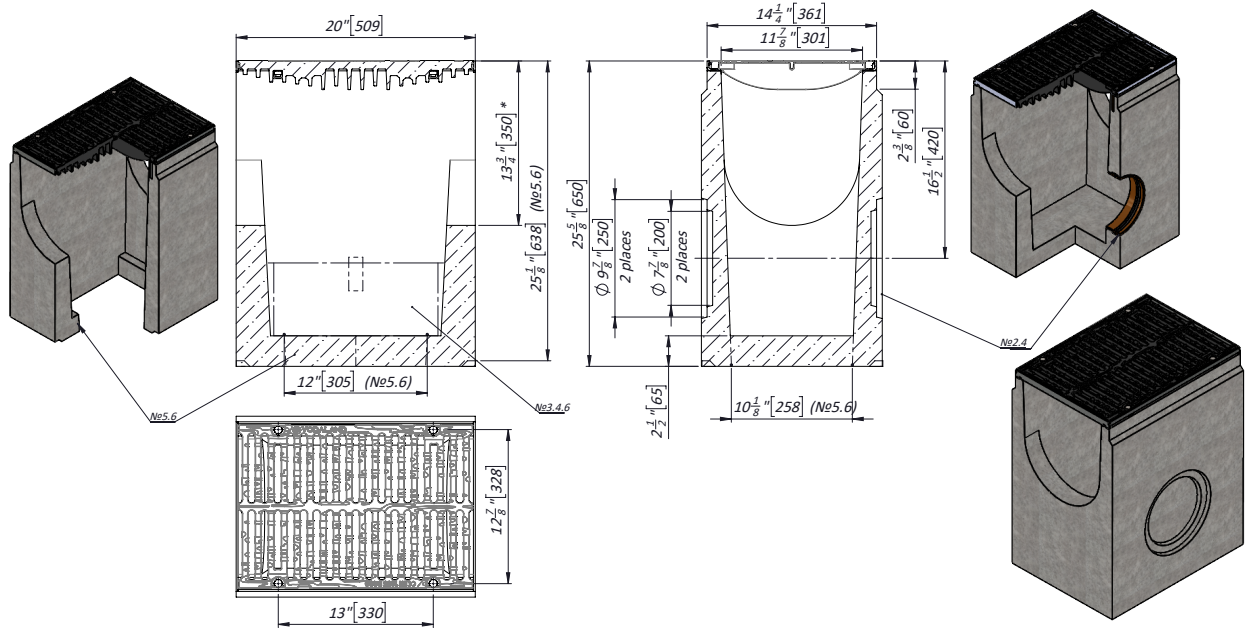
12" (300mm) PRO FIBER CONCRETE TRENCH DRAIN

Flow rate chart, 0.5% slope

Channel item #	GPM		L/s	
	70% water fill	100% water fill	70% water fill	100% water fill
047071334/265-260	433.19	792.04	27.33	49.97
047071334/270-265	453.00	822.79	28.58	51.91
047071334/275-270	472.82	853.54	29.83	53.85
047071334/280-275	492.79	884.45	31.09	55.80
047071334/285-280	512.92	915.52	32.36	57.76
047071334/290-285	533.21	946.74	33.64	59.73
047071334/295-290	553.65	978.13	34.93	61.71
047071334/300-295	574.10	1009.51	36.22	63.69
047071334/305-300	594.71	1040.89	37.52	65.67
047071334/310-305	615.47	1072.59	38.83	67.67
047071334/315-310	636.23	1104.14	40.14	69.66
047071334/320-315	657.16	1136.00	41.46	71.67
047071334/325-320	678.24	1167.86	42.79	73.68
047071334/330-325	699.32	1199.71	44.12	75.69
047071334/335-330	720.40	1231.73	45.45	77.71
047071334/340-335	741.64	1263.75	46.79	79.73
047071334/345-340	763.04	1295.77	48.14	81.75
047071334/350-345	784.43	1327.94	49.49	83.78
047071334/355-350	802.82	1360.28	50.65	85.82
047071334/360-355	827.39	1392.46	52.20	87.85
047071334/365-360	848.95	1424.79	53.56	89.89
047071334/370-365	870.50	1457.28	54.92	91.94
047071334/375-370	892.22	1489.62	56.29	93.98
047071334/380-375	914.09	1522.11	57.67	96.03
047071334/385-380	935.81	1554.76	59.04	98.09
047071334/390-385	957.68	1587.26	60.42	100.14
047071334/395-390	979.71	1619.91	61.81	102.2
047071334/400-395	1001.59	1652.56	63.19	104.26
047071334/405-400	1023.62	1685.37	64.58	106.33
047071334/410-405	1045.65	1718.02	65.97	108.39

PRO 300FC SYSTEM - LOAD CLASS E600

12" (300mm) PRO FIBER CONCRETE INLINE CATCH BASIN



General: The Inline catch basin shall be Vodaland Canada PRO 300FC complete with grates as manufactured by Vodaland or approved equal.

Specification: Catch Basin shall be 20" (509mm) long and the nominal clear opening shall be 12" (300mm) with 14.2" (361mm) overall width. Gratings shall be ductile cast iron fastened to steel edge rails and meet system load class specified. Channels and grates shall withstand a required EN1433 load class.

Materials: PRO 300FC catch basin shall be manufactured from fiber reinforced concrete with cast-in galvanized steel edge rails.

Compressive strength:	> 45 Mpa
Flexural strength:	> 20 Mpa
Frost resistant:	Yes
Non Flammable:	Yes
UV Resistant:	Yes
Recyclable 100%:	Yes
Dilute acid and alkali resistant:	Yes
Material free of VOC, biocides, heavy metals:	Yes
Water absorption is sufficient for adhesion with concrete surfaces:	Yes

#	Name	Article	W, lb
1	PRO 300FC inline catch basin	047871334	305.8
2	PRO 300FC inline catch basin w/ outlet Ø200mm	047871334-P200	302.5
3	PRO 300FC inline catch basin w/ basket	047871334-K	307.3
4	PRO 300FC inline catch basin w/ basket and w/ outlet Ø110mm	047871334-P200-K	306
5	PRO 300FC inline catch basin top part	047871334/1	286.4
6	PRO 300FC inline catch basin top part w/ basket	047871334/1-K	290

REVISED: 2024