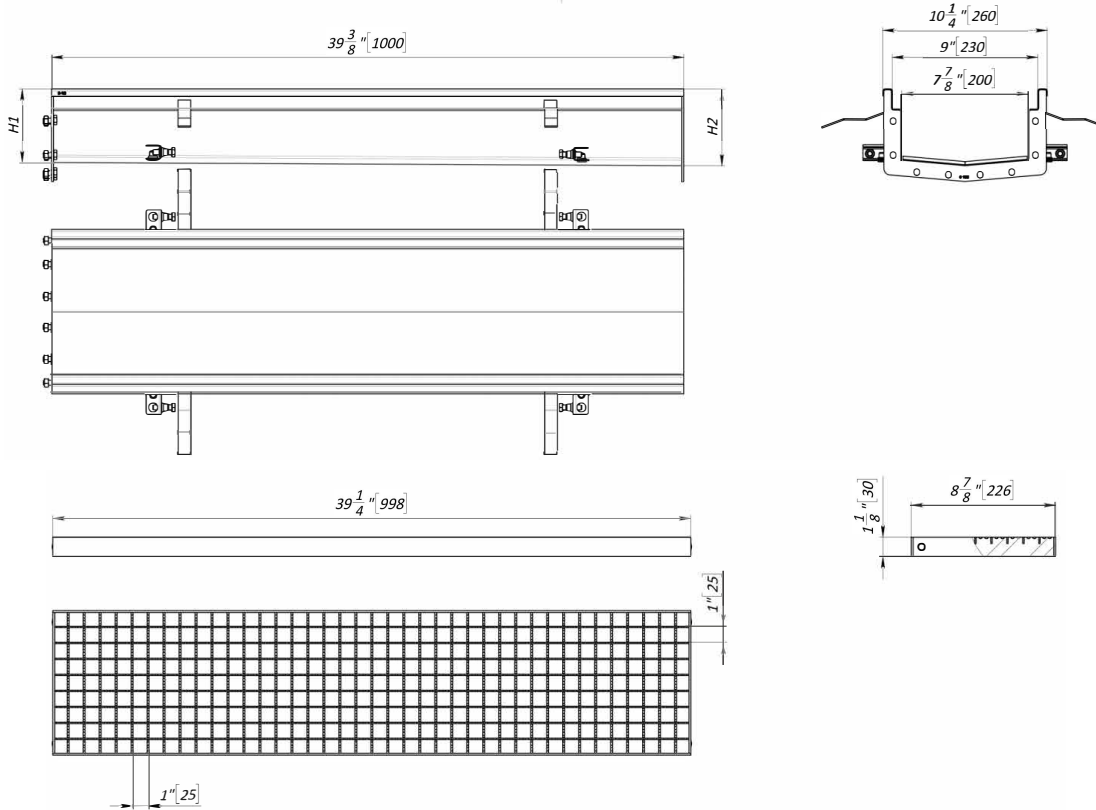


**STAINLESS 200 SYSTEM - LOAD CLASS C250**

**8" (200mm) STAINLESS STEEL TRENCH DRAIN**



**General:** The trench drain shall be Vodaland Canada STAINLESS 200 as manufactured by Vodaland or approved equal.

**Specification:** STAINLESS 200 trench drain shall be 39.4" (1000mm) long and the nominal clear opening shall be 7.87" (200mm) with 10.2" (260mm) overall width. Channels shall have a secure bolted, flanged connection between sections that will not separate during the installation. Channels shall be made of grade 304 16ga. stainless steel. Channels can be manufactured from grade 316 stainless steel upon request. STAINLESS 200 trench drain shall have a V shaped bottom and 0.5% or neutral 0% built in slope. Channels can be manufactured with 1% built in slope upon request. Each unit shall come with grade 304 stainless steel grate rated load class C250 as per EN1433. Channels shall have leveling studs standard to secure trench in its final location. The product is certified and fully compliant to EN1253 and EN1433.

Name	Item #	W, lb
8" Stainless steel mesh grate	990428	20.5

**Drainage performance:**

\*Grate water intake area of 282.35 sq. in. (1821.6 cm<sup>2</sup>).

\*For detailed grating drawing refer to Vodaland Canada website or consult with one of our professionals.

**STAINLESS 200 SYSTEM - LOAD CLASS C250**
**8" (200mm) STAINLESS STEEL TRENCH DRAIN**
**Neutral slope**

Name	Item #	H, in	H, mm	W, lb
8" STAINLESS channel H3.0"	992421	3.0	75	12.3
8" STAINLESS channel H3.1"	992422	3.1	80	12.4
8" STAINLESS channel H3.3"	992423	3.3	85	12.6
8" STAINLESS channel H3.5"	992424	3.5	90	13.0
8" STAINLESS channel H3.7"	992425	3.7	95	13.4
8" STAINLESS channel H3.9"	992426	3.9	100	13.6
8" STAINLESS channel H4.1"	992427	4.1	105	13.7
8" STAINLESS channel H4.3"	992428	4.3	110	14.1
8" STAINLESS channel H4.5"	992429	4.5	115	14.6
8" STAINLESS channel H4.7"	992430	4.7	120	14.7
8" STAINLESS channel H4.9"	992431	4.9	125	14.9
8" STAINLESS channel H5.1"	992432	5.1	130	15.3
8" STAINLESS channel H5.3"	992433	5.3	135	15.7
8" STAINLESS channel H5.5"	992434	5.5	140	15.9
8" STAINLESS channel H5.7"	992435	5.7	145	16.1

**0.5% slope**

Name	Item #	H1, in	H1, mm	H2, in	H2, mm	W, lb
8" STAINLESS channel H3.0"-2.8"	992401	2.8	70	3.0	75	12.3
8" STAINLESS channel H3.1"-3.0"	992402	3.0	75	3.1	80	12.4
8" STAINLESS channel H3.3"-3.1"	992403	3.1	80	3.3	85	12.6
8" STAINLESS channel H3.5"-3.3"	992404	3.3	85	3.5	90	13.0
8" STAINLESS channel H3.7"-3.5"	992405	3.5	90	3.7	95	13.4
8" STAINLESS channel H3.9"-3.7"	992406	3.7	95	3.9	100	13.6
8" STAINLESS channel H4.1"-3.9"	992407	3.9	100	4.1	105	13.7
8" STAINLESS channel H4.3"-4.1"	992408	4.1	105	4.3	110	14.1
8" STAINLESS channel H4.5"-4.3"	992409	4.3	110	4.5	115	14.6
8" STAINLESS channel H4.7"-4.5"	992410	4.5	115	4.7	120	14.7
8" STAINLESS channel H4.9"-4.7"	992411	4.7	120	4.9	125	14.9
8" STAINLESS channel H5.1"-4.9"	992412	4.9	125	5.1	130	15.3
8" STAINLESS channel H5.3"-5.1"	992413	5.1	130	5.3	135	15.7
8" STAINLESS channel H5.5"-5.3"	992414	5.3	135	5.5	140	15.9
8" STAINLESS channel H5.7"-5.5"	992415	5.5	140	5.7	145	16.1

**Notes:**

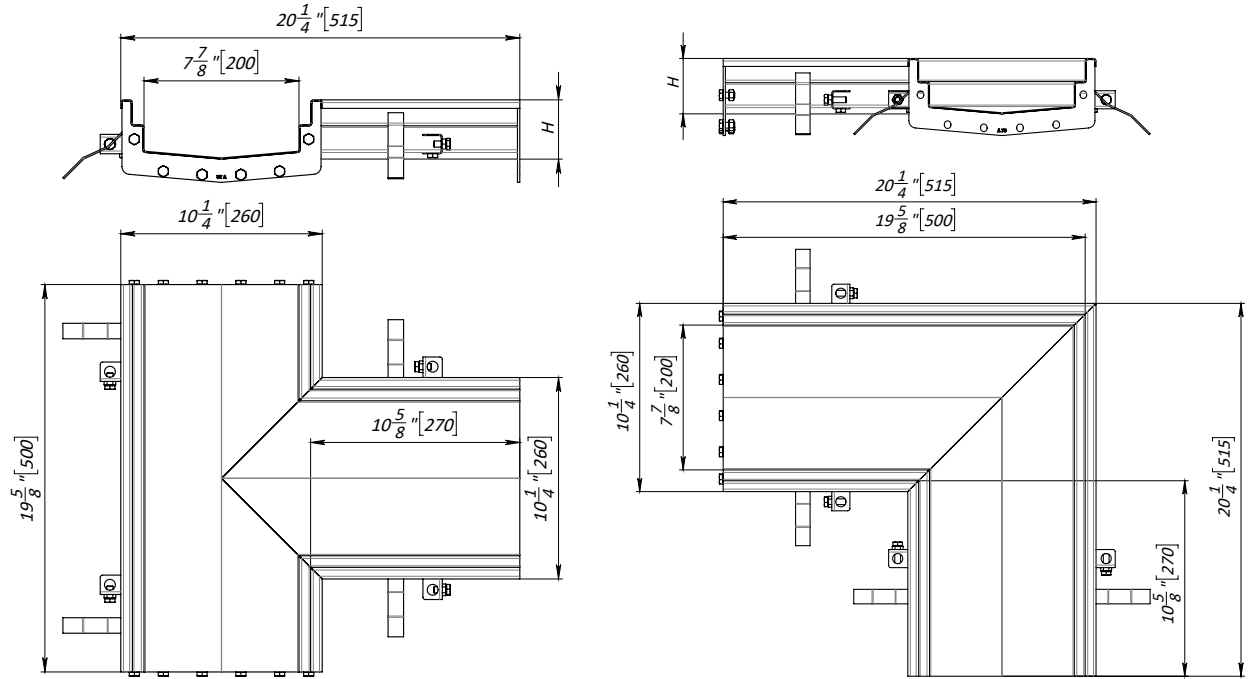
\*NBR flange gaskets are available for use instead of sealant for channels and T & L shaped units.

**REVISED: 2024**
**Vodaland Canada Inc.**

 1-5900 Ambler Dr, Mississauga, ON L4W 2N3 • Phone: 905-238-1771 • Email: [info@vodaland.ca](mailto:info@vodaland.ca)

**STAINLESS 200 SYSTEM - LOAD CLASS C250**

**8" (200mm) STAINLESS STEEL TRENCH DRAIN**



**L-shaped channels**

Name	Item #	H, in	H, mm	W, lb
8" STAINLESS L-shaped channel H3.0"	992441	3.0	75	10.34
8" STAINLESS L-shaped channel H3.1"	992442	3.1	80	10.43
8" STAINLESS L-shaped channel H3.3"	992443	3.3	85	10.54
8" STAINLESS L-shaped channel H3.5"	992444	3.5	90	11.24
8" STAINLESS L-shaped channel H3.7"	992445	3.7	95	11.33
8" STAINLESS L-shaped channel H3.9"	992446	3.9	100	11.42
8" STAINLESS L-shaped channel H4.1"	992447	4.1	105	11.53
8" STAINLESS L-shaped channel H4.3"	992448	4.3	110	12.17
8" STAINLESS L-shaped channel H4.5"	992449	4.5	115	12.25
8" STAINLESS L-shaped channel H4.7"	992450	4.7	120	12.34
8" STAINLESS L-shaped channel H4.9"	992451	4.9	125	12.45
8" STAINLESS L-shaped channel H5.1"	992452	5.1	130	13.1
8" STAINLESS L-shaped channel H5.3"	992453	5.3	135	13.18
8" STAINLESS L-shaped channel H5.5"	992454	5.5	140	13.29
8" STAINLESS L-shaped channel H5.7"	992455	5.7	145	13.38

**STAINLESS 200 SYSTEM - LOAD CLASS C250**
**8" (200mm) STAINLESS STEEL TRENCH DRAIN**
**T-shaped channels**

Name	Item #	H, in	H, mm	W, lb
8" STAINLESS T-shaped channel H3.0"	992461	3.0	75	10.58
8" STAINLESS T-shaped channel H3.1"	992462	3.1	80	10.58
8" STAINLESS T-shaped channel H3.3"	992463	3.3	85	10.6
8" STAINLESS T-shaped channel H3.5"	992464	3.5	90	11.57
8" STAINLESS T-shaped channel H3.7"	992465	3.7	95	11.59
8" STAINLESS T-shaped channel H3.9"	992466	3.9	100	11.61
8" STAINLESS T-shaped channel H4.1"	992467	4.1	105	11.64
8" STAINLESS T-shaped channel H4.3"	992468	4.3	110	12.47
8" STAINLESS T-shaped channel H4.5"	992469	4.5	115	12.5
8" STAINLESS T-shaped channel H4.7"	992470	4.7	120	12.52
8" STAINLESS T-shaped channel H4.9"	992471	4.9	125	12.52
8" STAINLESS T-shaped channel H5.1"	992472	5.1	130	13.35
8" STAINLESS T-shaped channel H5.3"	992473	5.3	135	13.38
8" STAINLESS T-shaped channel H5.5"	992474	5.5	140	13.4
8" STAINLESS T-shaped channel H5.7"	992475	5.7	145	13.42

**Accessories**

Name	Item #	For channel height, in
Stainless steel end cap, type A	992501	2.8 - 3.5
Stainless steel end cap, type B	992502	3.5 - 4.3
Stainless steel end cap, type C	992503	4.3 - 5.1
Stainless steel end cap, type D	992504	5.1 - 5.7
Stainless steel end cap w/ vertical outlet 4", type A	992520	2.8 - 3.3
Stainless steel end cap w/ vertical outlet 4", type B	992521	3.5 - 4.1
Stainless steel end cap w/ vertical outlet 4", type C	992522	4.3 - 4.9
Stainless steel end cap w/ vertical outlet 4", type D	992523	5.1 - 5.7
Stainless steel end cap w/ vertical outlet 6", type A	992530	2.8 - 3.3
Stainless steel end cap w/ vertical outlet 6", type B	992531	3.5 - 4.1
Stainless steel end cap w/ vertical outlet 6", type C	992532	4.3 - 4.9
Stainless steel end cap w/ vertical outlet 6", type D	992533	5.1 - 5.7
Stainless steel end cap w/ horizontal outlet 4", type A	992540	2.8 - 3.3
Stainless steel end cap w/ horizontal outlet 4", type B	992541	3.5 - 4.1
Stainless steel end cap w/ horizontal outlet 4", type C	992542	4.3 - 4.9
Stainless steel end cap w/ horizontal outlet 4", type D	992543	5.1 - 5.7

**REVISED: 2024**

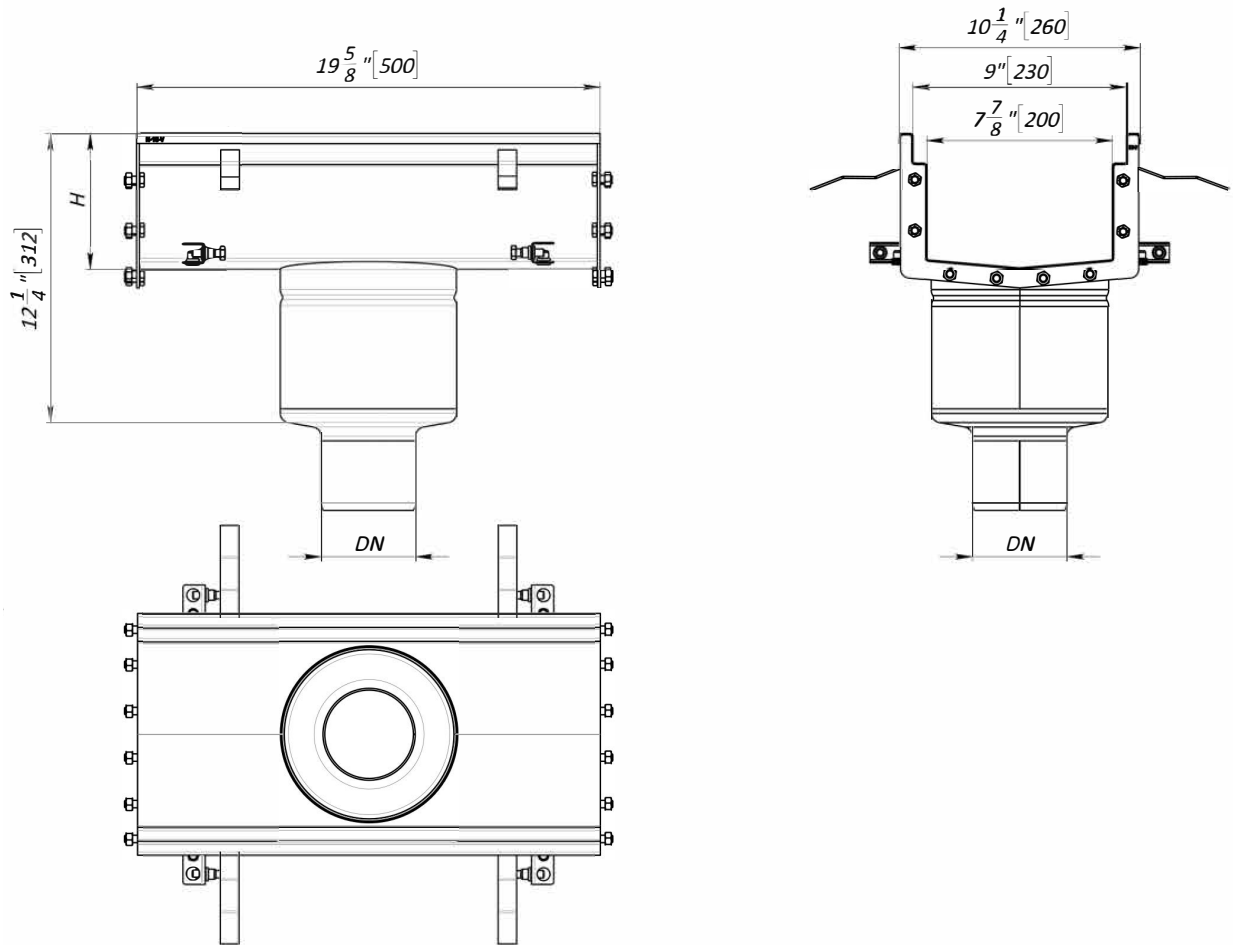
---

**STAINLESS 200 SYSTEM - LOAD CLASS C250****8" (200mm) STAINLESS STEEL TRENCH DRAIN**

<b>Name</b>	<b>Item #</b>	<b>For channel height, in</b>
Stainless steel transition flange, type A	992507	2.8 - 3.3
Stainless steel transition flange, type B	992508	3.5 - 4.1
Stainless steel transition flange, type C	992509	4.3 - 4.9

**STAINLESS 200 SYSTEM - LOAD CLASS C250**

**STAINLESS INLINE CATCH BASIN**



**General:** The catch basin shall be Vodaland Canada STAINLESS inline catch basin as manufactured by Vodaland or approved equal.

**Specification:** Catch Basin shall be 19.6" (500mm) long and 10.2" (260mm) wide. Catch basin shall be made up of 304 stainless steel. Catch basin is equipped with a stainless steel mesh grating and shall withstand a required EN 1433 Load class

Name	Item #	H, in	H, mm	W, lb	DN
8" STAINLESS inline catch basin	992493	5.7	145	12.0	4" (100mm)
8" STAINLESS inline catch basin	992495	5.7	145	12.0	6" (150mm)
STAINLESS steel mesh grate	990427	1.2	30	6.0	

**REVISED: 2024**