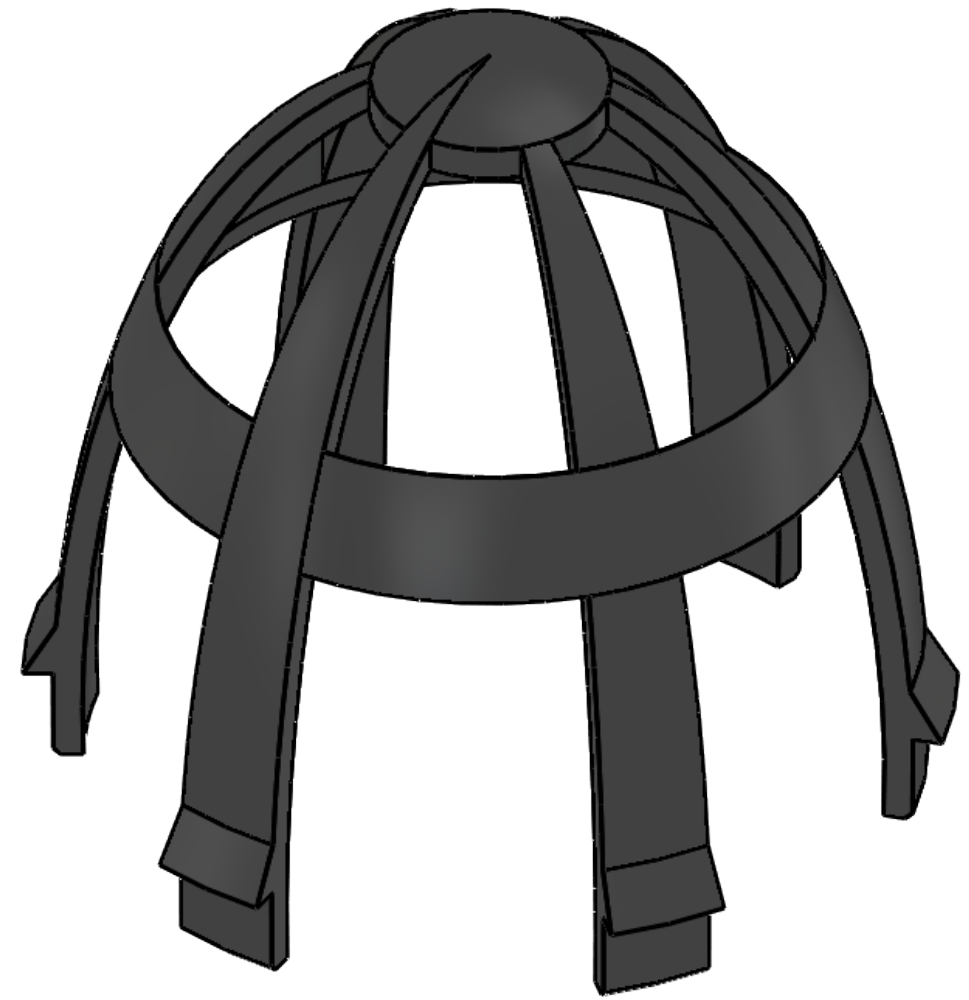
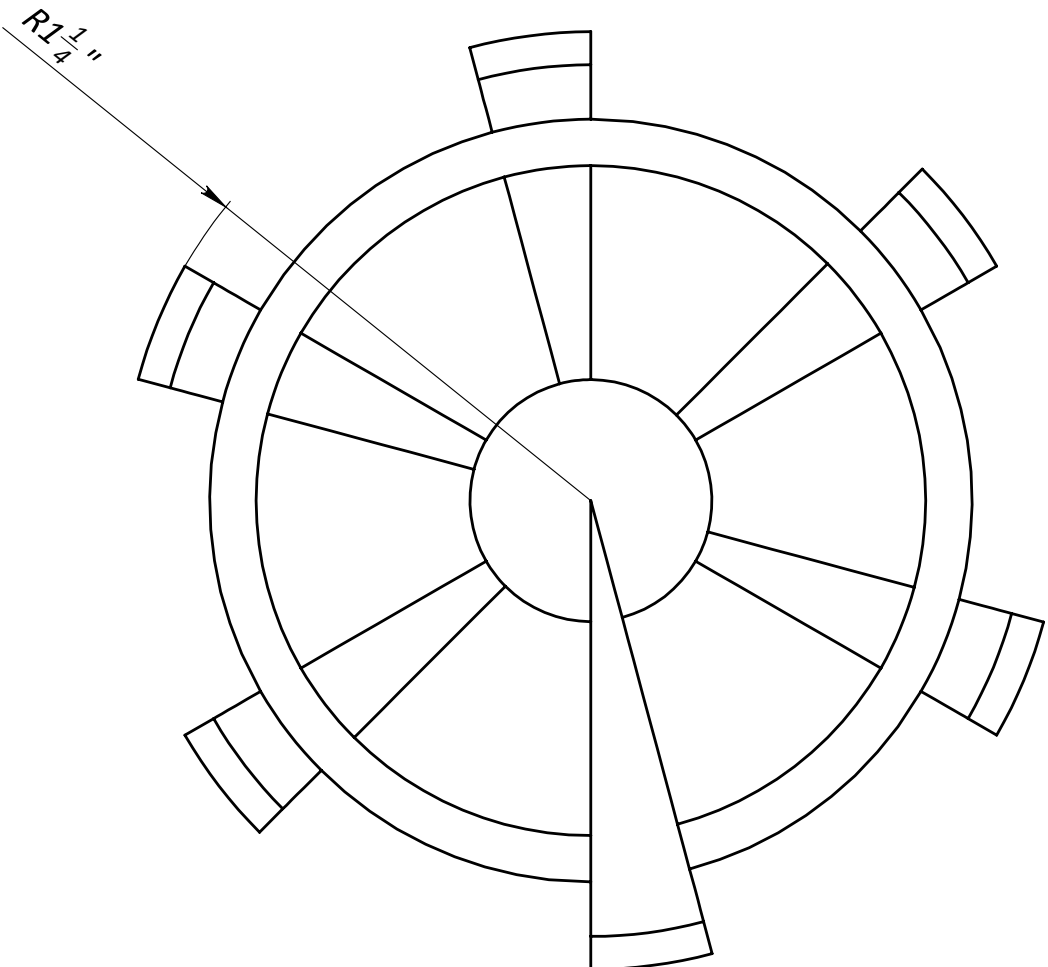
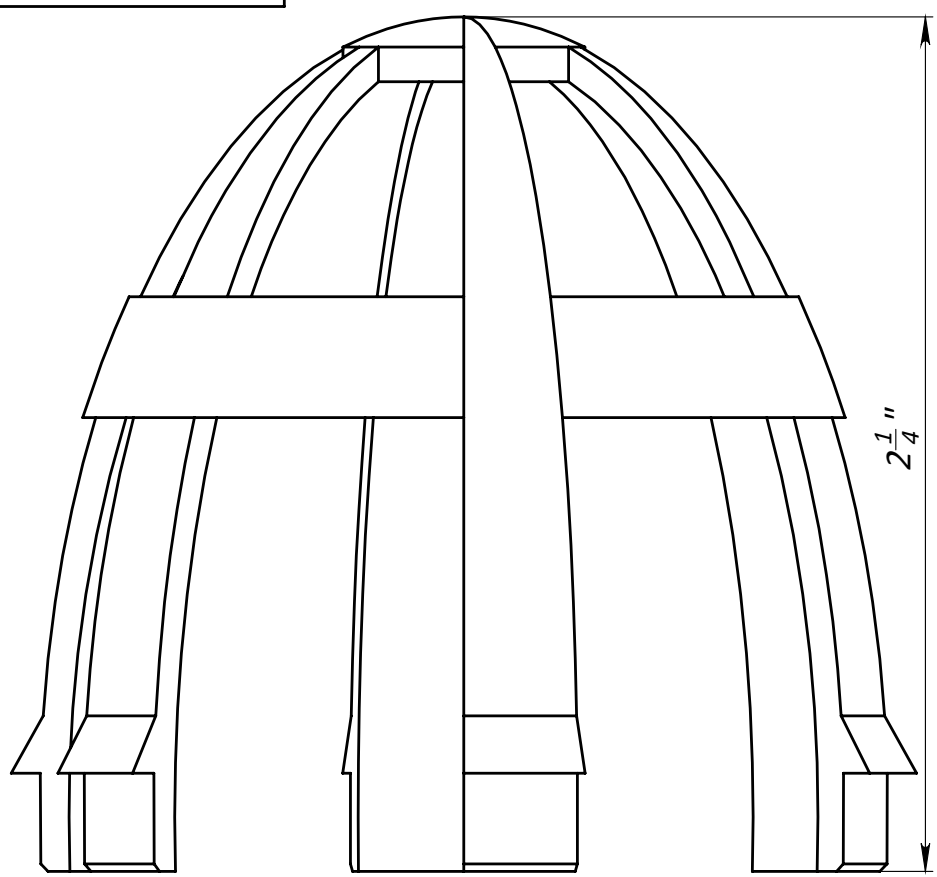


Primary Usage	Reference No.	Sign. and date	Copy inv. No.	Repl. Inv. No.	Sign. and date	Orig. Inv. No.
---------------	---------------	----------------	---------------	----------------	----------------	----------------

Protective insert Spark



1. Deviation of the actual weight of the nominal can be up to 12%

					Art. 6823		
					Protective insert Spark		
					Let.	Weight (lb)	Scale
					6823		0.011 2:1
					Sheet	Sheets 1	
					Plastic		