

Primary Usage

Reference No.

Sign. and date

Copy inv. No.

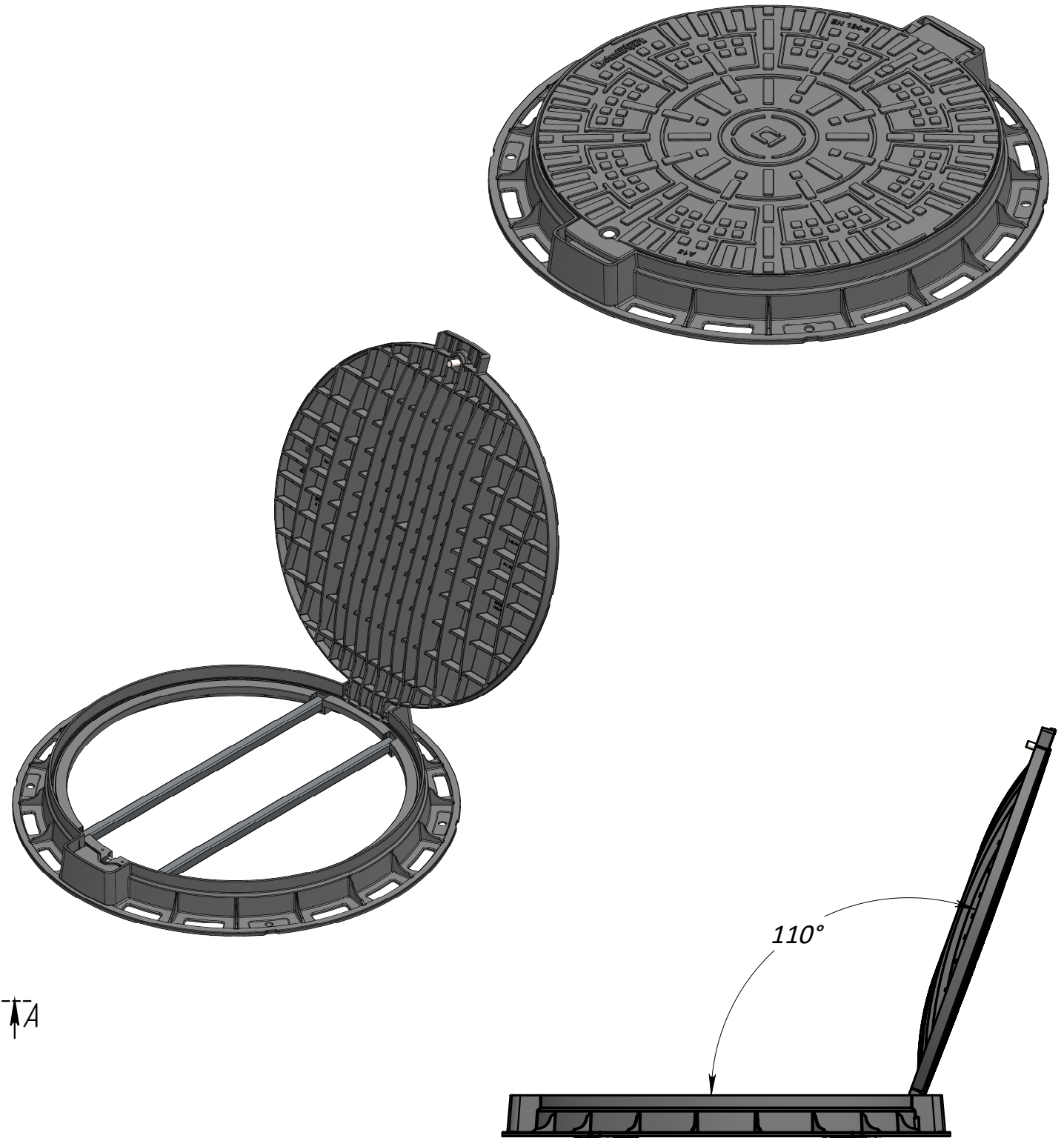
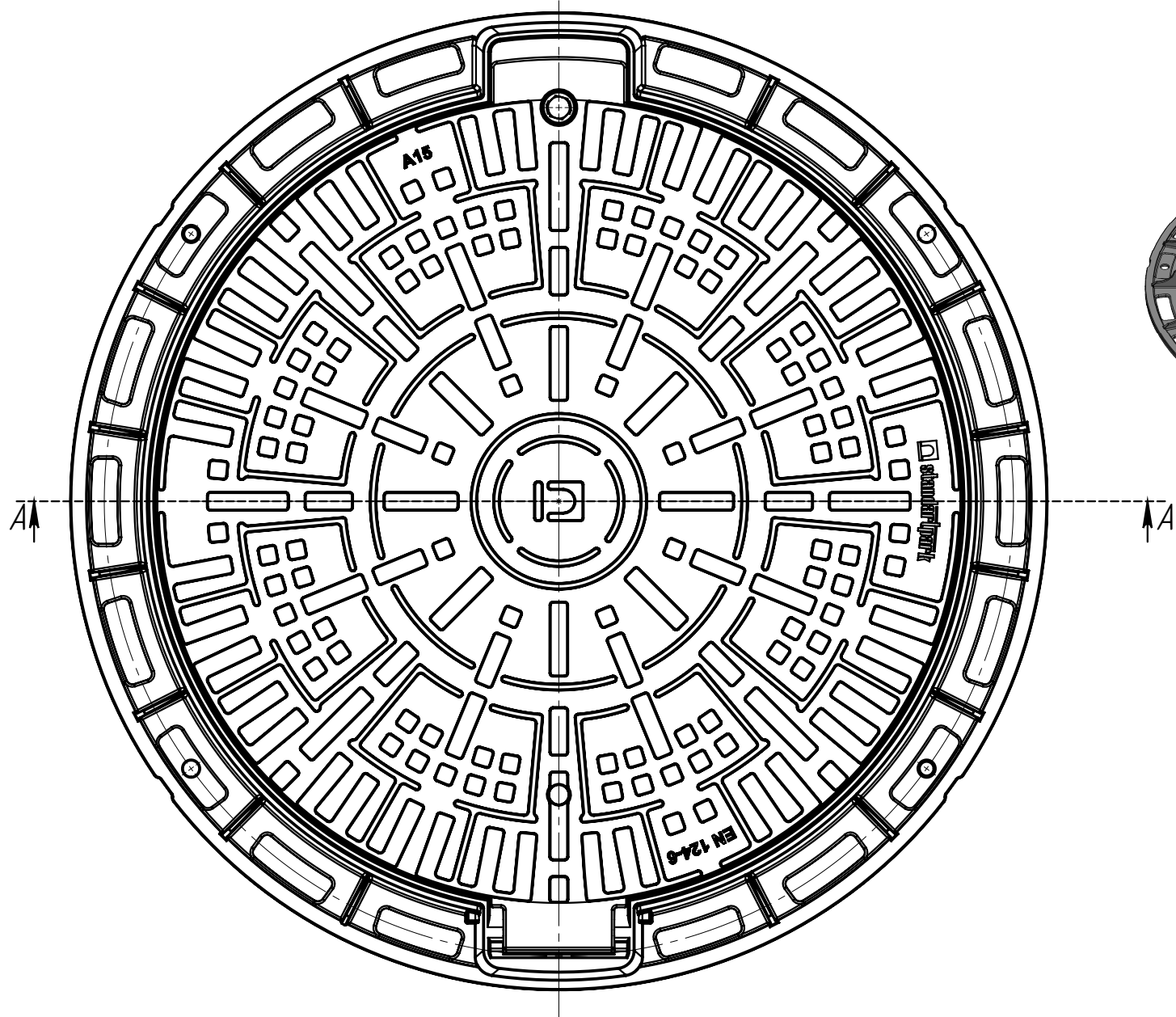
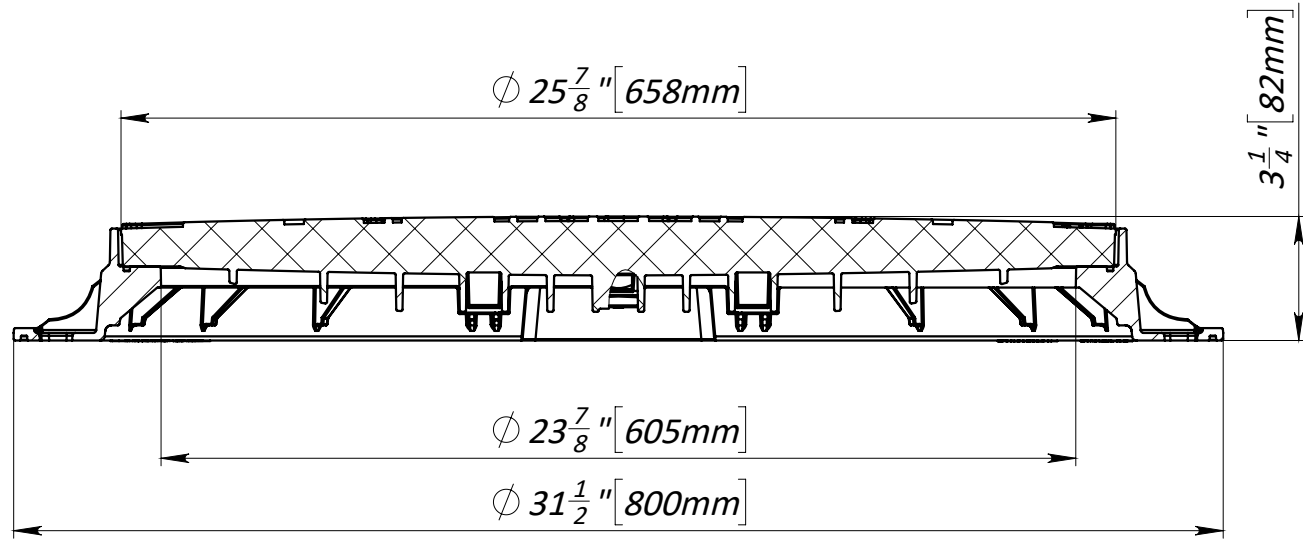
Repl. Inv. No.

Sign. and date

Orig. Inv. No.

Plastic Manhole

A-A



				Art. 35288-207				
				Plastic Manhole				
Rev.	Sheet	Doc. No.	Sign.	Data	35288-207	Let.	Weight (lb)	Scale
				21.01.21			17.02	1:5
					Load Classes A	Sheet	Sheets 1	
					Plastic			