

Primary Usage

Reference No.

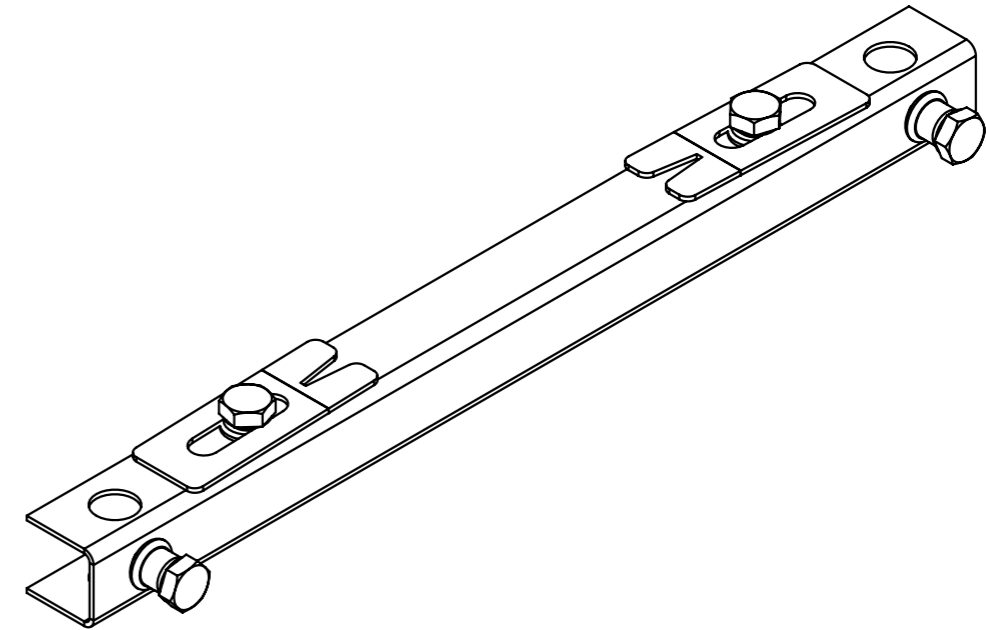
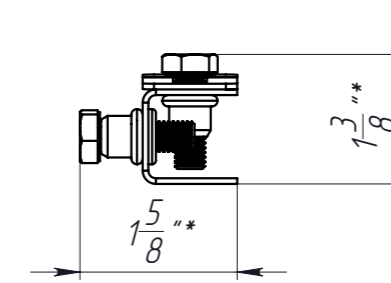
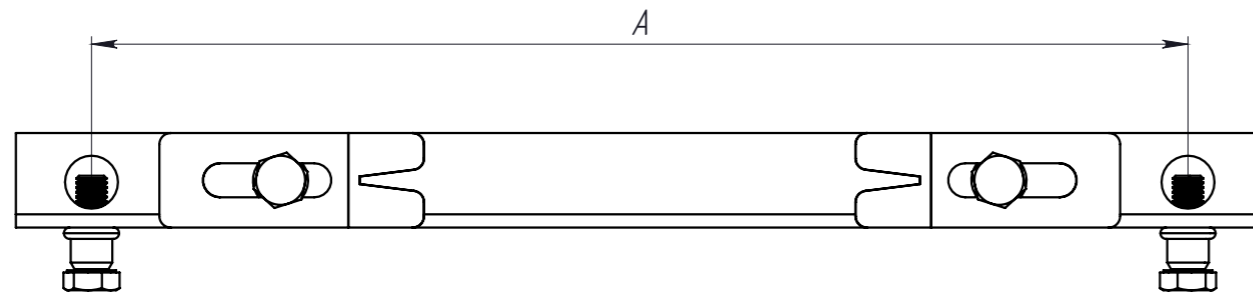
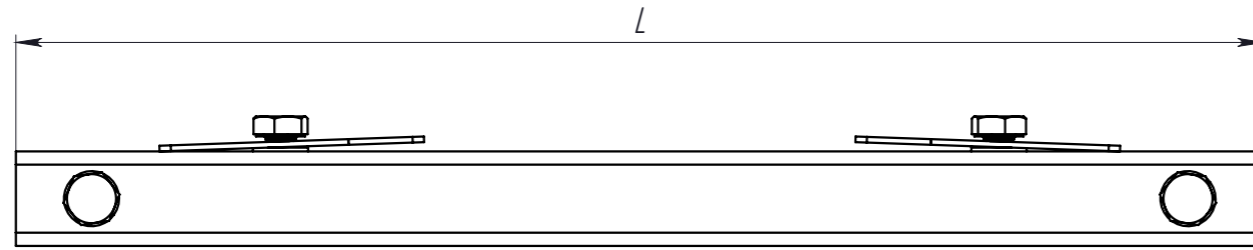
Sign. and date

Copy inv. No.

Repl. Inv. No.

Sign. and date

Orig. Inv. No.



Article	L (length), inch	A, inch	Weight, lb	For plastic channels (CO)
6104	13	11 3/7	0,73	PolyMax 100 (DN100)
6124	14 4/7	13	0,81	PolyMax 150 (DN150)
6154	16 1/2	15	0,90	PolyMax 200 (DN200)
6174	21 2/3	20	1,12	PolyMax 300 (DN300)
6194	33 1/2	31 8/9	1,69	PolyMax 500 (DN500)

					Art.		
					Plastic Channel Installation Mounting Bracket		
					Let.	Weight (lb)	Scale
Rev.	Sheet	Doc. No.	Sign.	Data			
				10.04.20			
					Sheet	Sheets 1	
					Galvanized Steel		VODALAND