
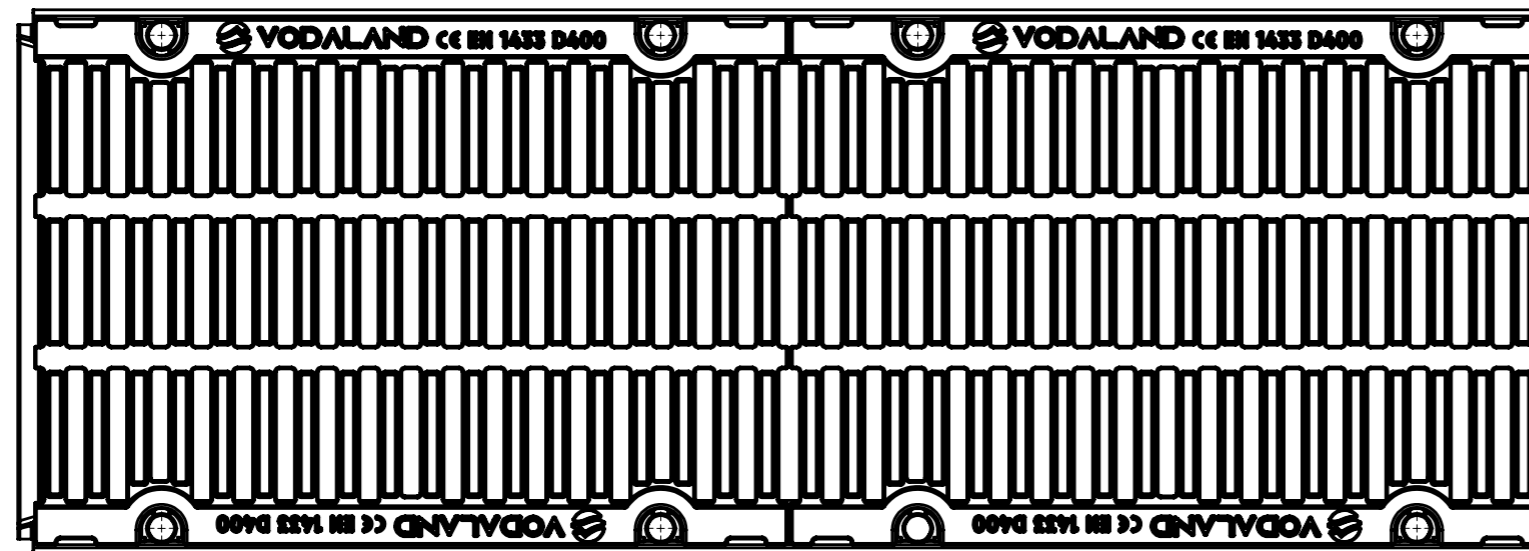
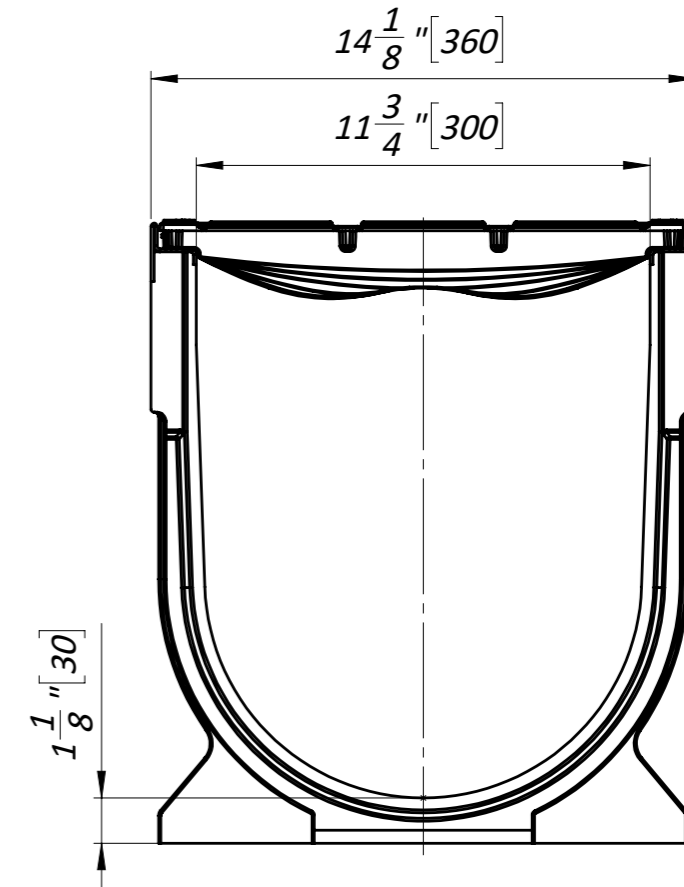
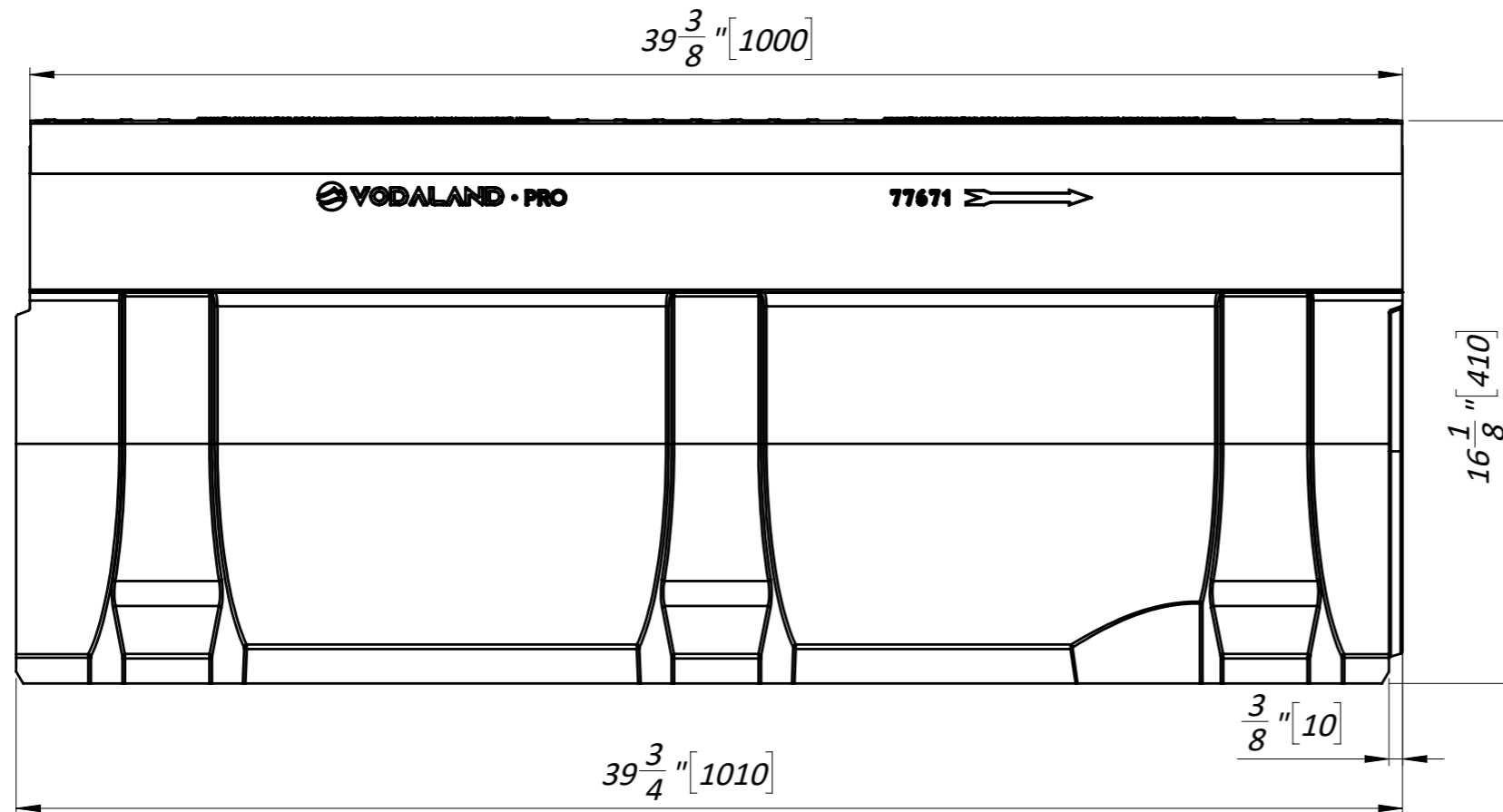


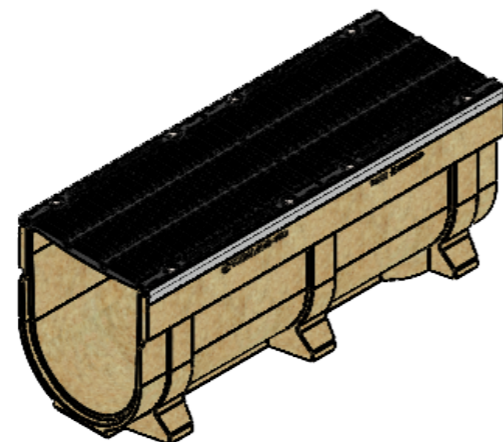
1. Dimensions for reference, inch [mm]
2. Delivery and packaging are carried out in accordance with the terms of the contract
3. The manufacturer reserves the right, without notice to the consumer, to make changes to the design of the products for improvement of their technological and operational parameters, which will not affect the quality and properties of the product
4. Deviation of the actual weight of the nominal can be up to 10%.

UNLESS OTHERWISE SPECIFIED: DIMENSIONS ARE IN MILLIMETERS SURFACE FINISH: TOLERANCES: ISO 2768 - C LINEAR: ANGULAR:		FINISH:	DEBURR AND BREAK SHARP EDGES	DO NOT SCALE DRAWING	REVISION
DRAWN: Kozak		SIGNATURE:	DATE: 07.10.22	 <b>TITLE:</b> 12" [DN300] Polymer Concrete Drain Channel Pro H14.2" [H360] with Cast Iron Grate D400	
CHK'D: Kyselytsia					
APPV'D: Malynovskiy					
MFG:					
Q.A:				MATERIAL: Polymer Concrete, Ductile Cast Iron	ARTICLE: <b>077071334/360</b>
				WEIGHT: 184,2 lb / 83.69 kg	SCALE: 1:5
				SHEET 1 OF 1	

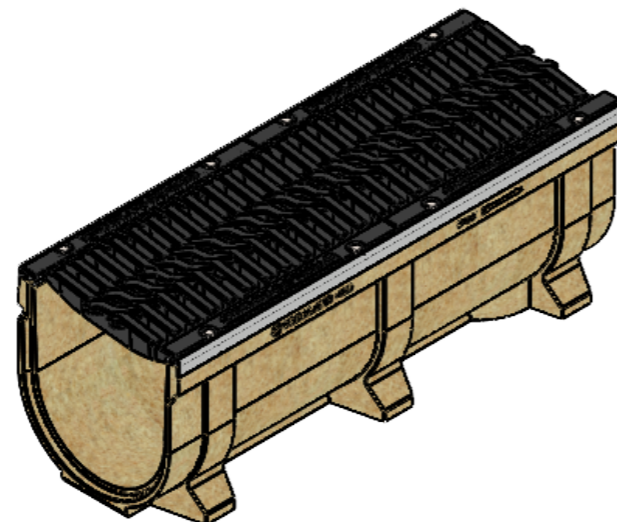
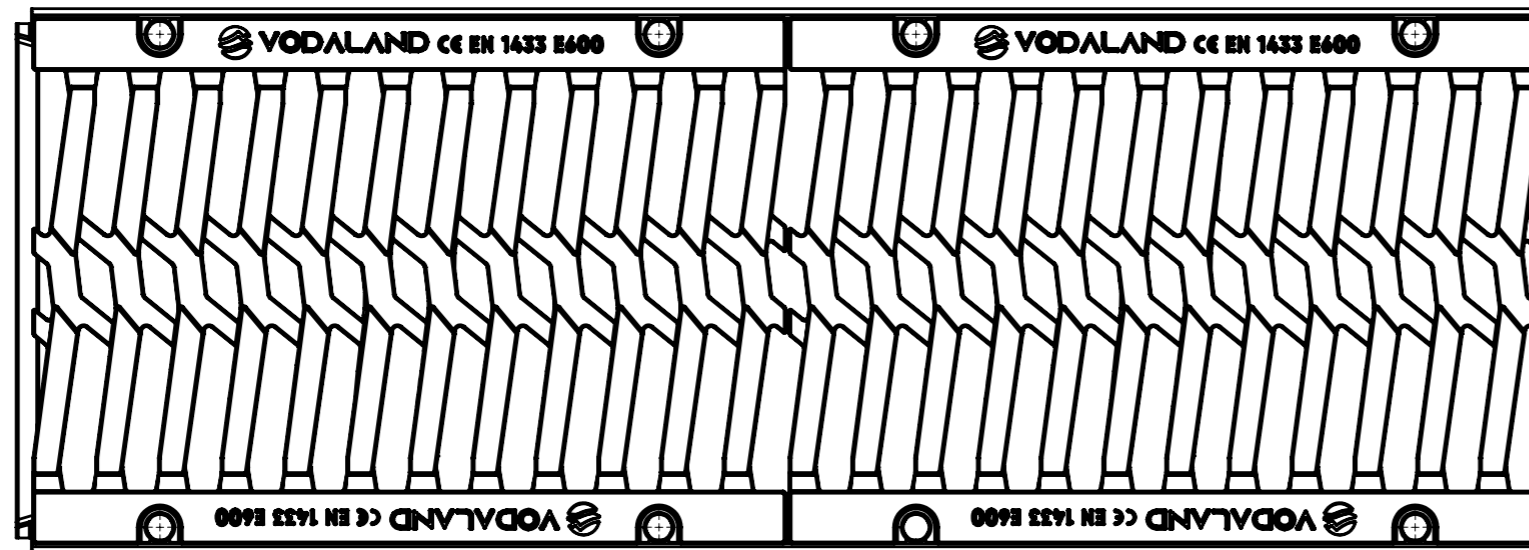
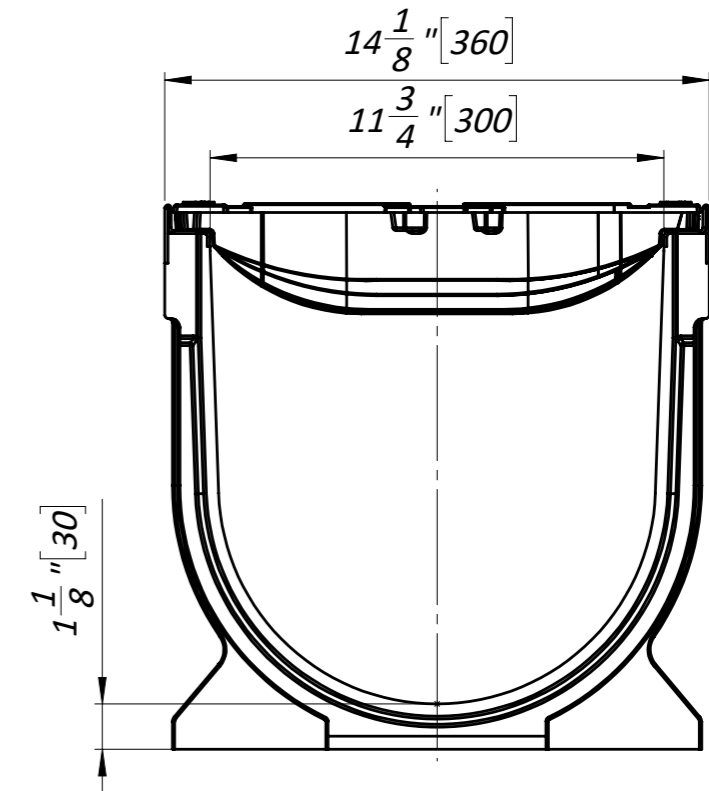
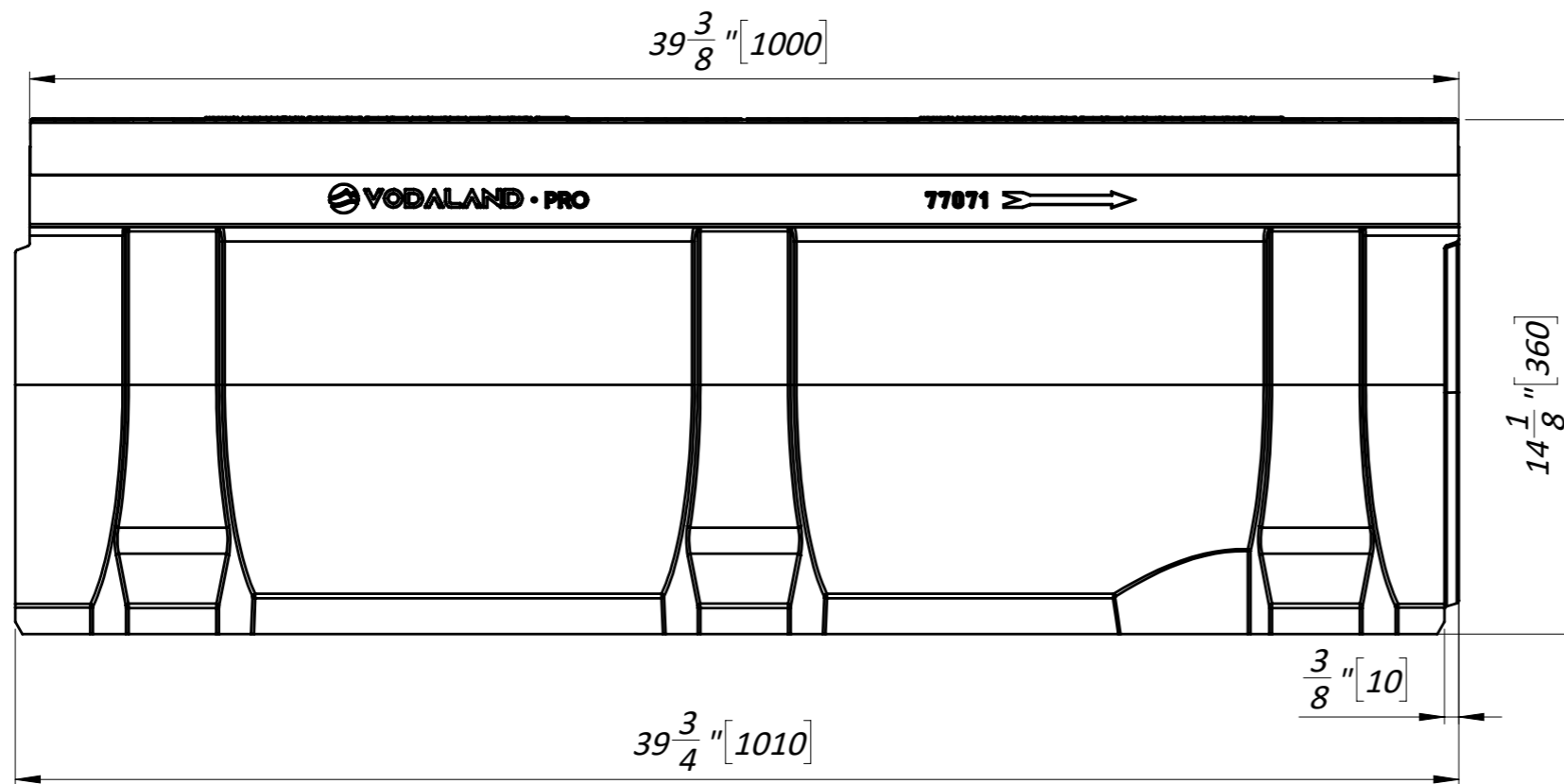
A3




1. Dimensions for reference, inch [mm]
2. Delivery and packaging are carried out in accordance with the terms of the contract
3. The manufacturer reserves the right, without notice to the consumer, to make changes to the design of the products for improvement of their technological and operational parameters, which will not affect the quality and properties of the product
4. Deviation of the actual weight of the nominal can be up to 10%.

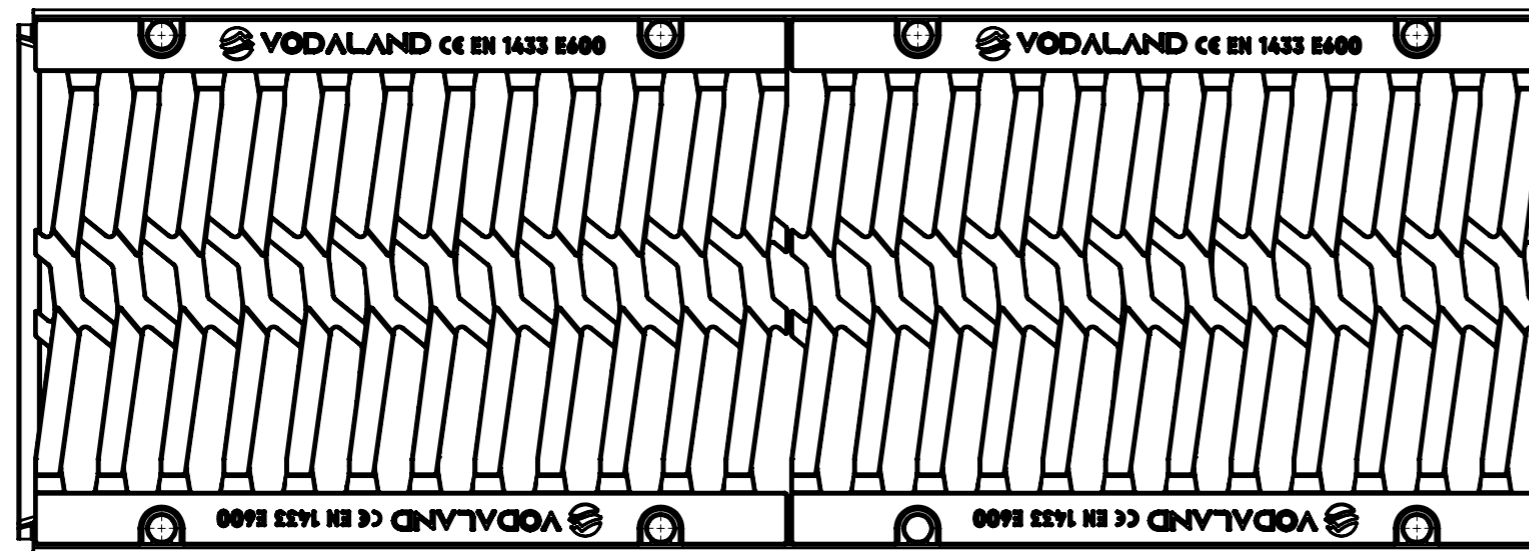
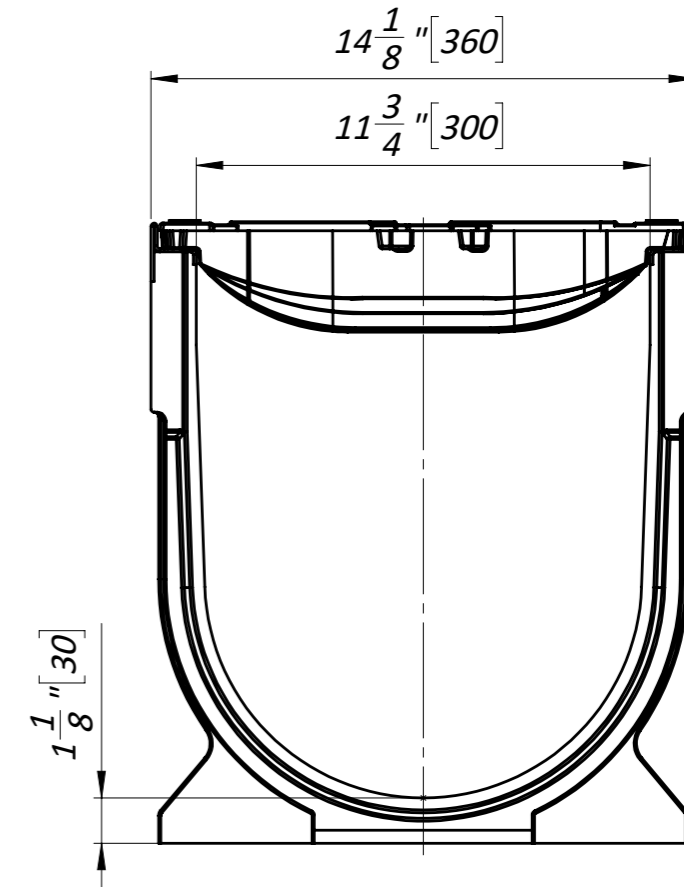
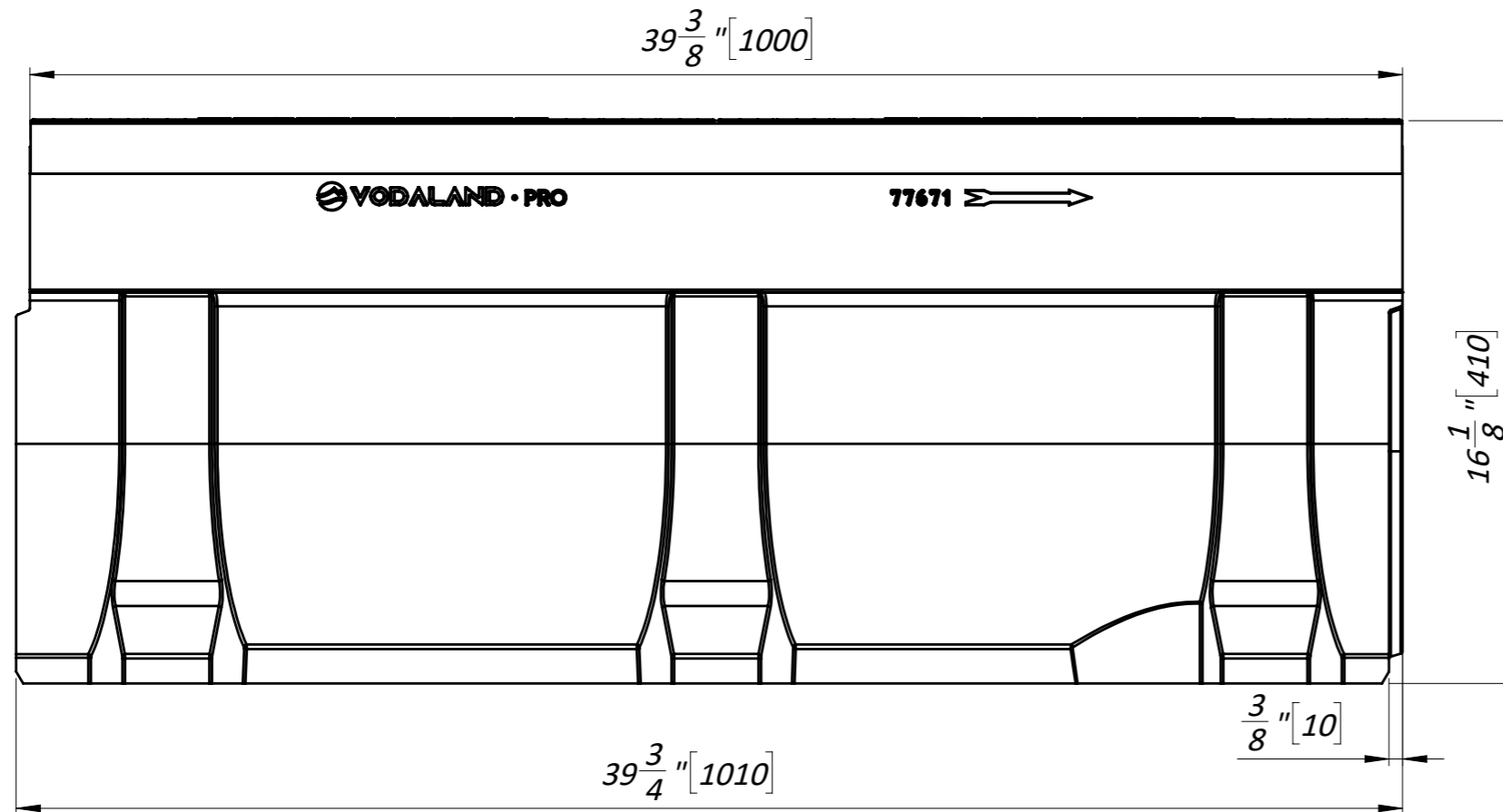


UNLESS OTHERWISE SPECIFIED: DIMENSIONS ARE IN MILLIMETERS SURFACE FINISH: TOLERANCES: ISO 2768 - C LINEAR: ANGULAR:		FINISH:		DEBURR AND BREAK SHARP EDGES		DO NOT SCALE DRAWING		REVISION	
DRAWN		NAME		SIGNATURE		DATE		TITLE:	
CHK'D		Kozak				07.10.22		12" [DN300] Polymer Concrete Drain Channel Pro H16.1" [H410] with Cast Iron Grate D400	
APPV'D		Kyselytsia						ARTICLE:	
MFG		Malynovskiy						077071334/410	
Q.A						MATERIAL: Polymer Concrete, Ductile Cast Iron		A3	
						WEIGHT: 198,3 lb / 90.14 kg		SCALE: 1:5	
								SHEET 1 OF 1	

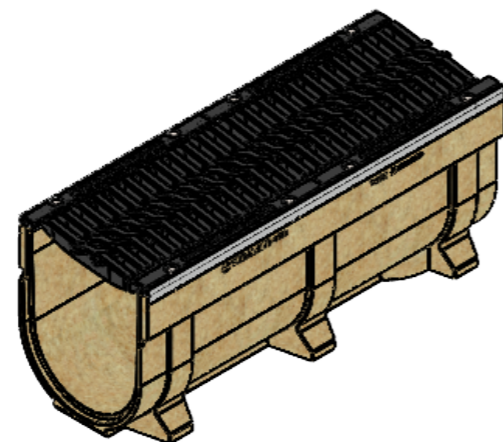


1. Dimensions for reference, inch [mm]
2. Delivery and packaging are carried out in accordance with the terms of the contract
3. The manufacturer reserves the right, without notice to the consumer, to make changes to the design of the products for improvement of their technological and operational parameters, which will not affect the quality and properties of the product
4. Deviation of the actual weight of the nominal can be up to 10%.

UNLESS OTHERWISE SPECIFIED: DIMENSIONS ARE IN MILLIMETERS SURFACE FINISH: TOLERANCES: ISO 2768 - C LINEAR: ANGULAR:		FINISH:	DEBURR AND BREAK SHARP EDGES	DO NOT SCALE DRAWING	REVISION
NAME	SIGNATURE	DATE		 <b>TITLE:</b> 12" [DN300] Polymer Concrete Drain Channel Pro H14.2" [H360] with Cast Iron Grate E600  <b>ARTICLE:</b> 07707155/360	
DRAWN	Kozak	07.10.22			
CHK'D	Kyselytsia				
APPV'D	Malynovskiy				
MFG					
Q.A			MATERIAL: Polymer Concrete, Ductile Cast Iron	SCALE:1:5	A3
			WEIGHT: 195,8 lb / 88.98 kg	SHEET 1 OF 1	



1. Dimensions for reference, inch [mm]
2. Delivery and packaging are carried out in accordance with the terms of the contract
3. The manufacturer reserves the right, without notice to the consumer, to make changes to the design of the products for improvement of their technological and operational parameters, which will not affect the quality and properties of the product
4. Deviation of the actual weight of the nominal can be up to 10%.



UNLESS OTHERWISE SPECIFIED: DIMENSIONS ARE IN MILLIMETERS SURFACE FINISH: TOLERANCES: ISO 2768 - C LINEAR: ANGULAR:		FINISH:		DEBURR AND BREAK SHARP EDGES		DO NOT SCALE DRAWING		REVISION	
DRAWN		NAME		SIGNATURE		DATE		TITLE:	
CHK'D		Kozak				07.10.22		12" [DN300] Polymer Concrete Drain Channel Pro H16.1" [H410] with Cast Iron Grate E600	
APPV'D		Kyselytsia						ARTICLE:	
MFG		Malynovskiy						07707155/410	
Q.A						MATERIAL: Polymer Concrete, Ductile Cast Iron		A3	
						WEIGHT: 209,9 lb / 95.42 kg		SCALE: 1:5	
								SHEET 1 OF 1	