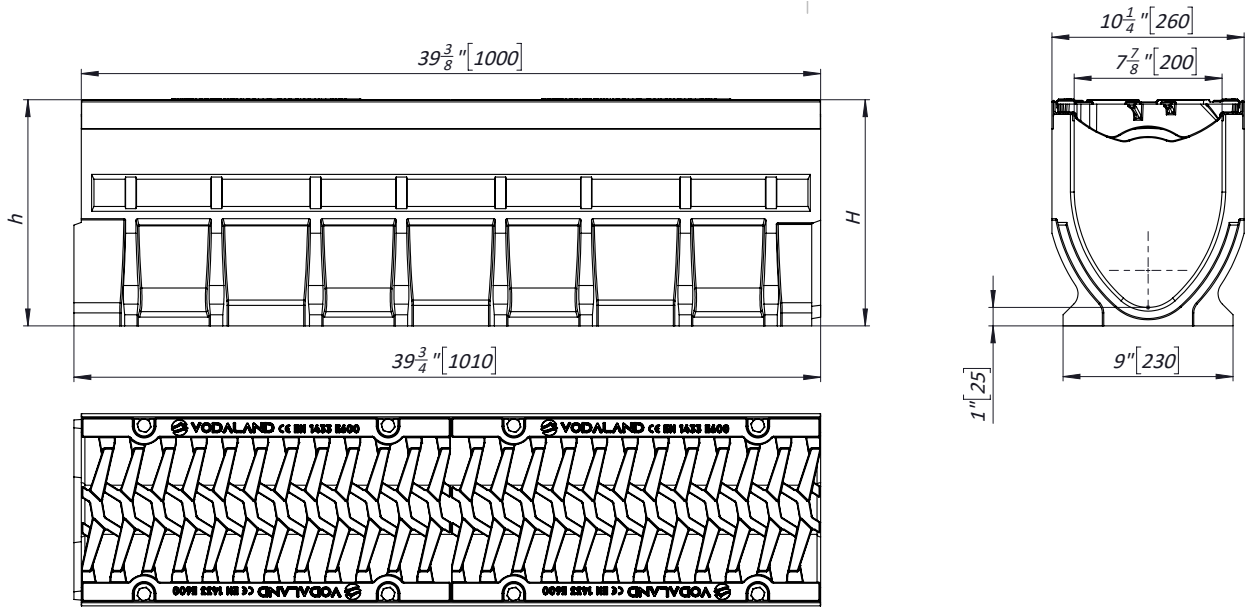


**PRO 200PC SYSTEM - LOAD CLASS E600**

**8" (200mm) PRO POLYMER CONCRETE TRENCH DRAIN**



**General:** The trench drain shall be Vodaland Canada PRO 200PC as manufactured by Vodaland or approved equal.

**Specification:** Channels shall be 39.4" (1000mm) long and the nominal clear opening shall be 8" (200mm) with 10.2" (260mm) overall width and built in slope of 0.5% or neutral 0% as per specifier's requirements. Channels shall have male-to-female interlocking joints. Gratings shall be ductile cast iron fastened to steel edge rails and meet the system load class specified. Channels and grate shall withstand a required EN1433 load class.

**Materials:** PRO 200PC trench drain shall be manufactured from polymer concrete with the following approximate properties:

Compressive strength	14,000 psi
Flexural strength	4,000 psi
Tensile strength	1,500 Psi
Water absorption	0.05%
Frost proof	Yes
Dilute acid and alkali resistant	Yes
Salt proof	Yes

**Drainage performance:**

\*Water intake area of 152.52 sq. in. (984 cm<sup>2</sup>)

\*See flow rate chart for channel flow rates

**Neutral slope**

<b>Name</b>	<b>Article</b>	<b>H, in</b>	<b>H, mm</b>	<b>W, lb</b>
PRO 200PC trench drain H12.2"	07517155/310	12.2	310	125.2
PRO 200PC trench drain H12"	07507155/305	12.0	305	123.9
PRO 200PC trench drain H11.8"	07507155/300	11.8	300	122.5
PRO 200PC trench drain H11.6"	07507155/295	11.6	295	121.2
PRO 200PC trench drain H11.4"	07507155/290	11.4	290	119.8
PRO 200PC trench drain H11.2"	07507155/285	11.2	285	118.5
PRO 200PC trench drain H11"	07507155/280	11.0	280	117.1
PRO 200PC trench drain H10.8"	07507155/275	10.8	275	115.7
PRO 200PC trench drain H10.6"	07507155/270	10.6	270	114.4
PRO 200PC trench drain H10.4"	07507155/265	10.4	265	113.0
PRO 200PC trench drain H10.2"	07507155/260	10.2	260	111.7
PRO 200PC trench drain H10"	07507155/255	10.0	255	116.6
PRO 200PC trench drain H9.8"	07507155/250	9.8	250	115.3
PRO 200PC trench drain H9.6"	07507155/245	9.6	245	114.0
PRO 200PC trench drain H9.4"	07507155/240	9.4	240	112.6
PRO 200PC trench drain H9.3"	07507155/235	9.3	235	111.3
PRO 200PC trench drain H9.1"	07507155/230	9.1	230	110.0
PRO 200PC trench drain H8.9"	07507155/225	8.9	225	108.7
PRO 200PC trench drain H8.7"	07507155/220	8.7	220	107.4
PRO 200PC trench drain H8.5"	07507155/215	8.5	215	106.0
PRO 200PC trench drain H8.3"	07507155/210	8.3	210	104.7

\*Each channel can be equipped with a bottom outlet Ø110mm and Ø160mm

**0.5% slope**

Name	Article	H, in	H, mm	h, in	h, mm	W, lb
PRO 200PC trench drain H12.2"-12"	07517155/310-305	12.2	310	12	305	124.7
PRO 200PC trench drain H12"-11.8"	07507155/305-300	12	305	11.8	300	123.2
PRO 200PC trench drain H11.8"-11.6"	07507155/300-295	11.8	300	11.6	295	121.9
PRO 200PC trench drain H11.6"-11.4"	07507155/295-290	11.6	295	11.4	290	120.6
PRO 200PC trench drain H11.4"-11.2"	07507155/290-285	11.4	290	11.2	285	119.2
PRO 200PC trench drain H11.2"-11"	07507155/285-280	11.2	285	11	280	117.9
PRO 200PC trench drain H11"-10.8"	07507155/280-275	11	280	10.8	275	116.6
PRO 200PC trench drain H10.8"-10.6"	07507155/275-270	10.8	275	10.6	270	115.3
PRO 200PC trench drain H10.6"-10.4"	07507155/270-265	10.6	270	10.4	265	114.0
PRO 200PC trench drain H10.4"-10.2"	07507155/265-260	10.4	265	10.2	260	112.6
PRO 200PC trench drain H10.2"-10"	07507155/260-255	10.2	260	10	255	115.9
PRO 200PC trench drain H10"-9.8"	07507155/255-250	10	255	9.8	250	114.6
PRO 200PC trench drain H9.8"-9.6"	07507155/250-245	9.8	250	9.6	245	113.3
PRO 200PC trench drain H9.6"-9.4"	07507155/245-240	9.6	245	9.4	240	112.0
PRO 200PC trench drain H9.4"-9.3"	07507155/240-235	9.4	240	9.3	235	110.7
PRO 200PC trench drain H9.3"-9.1"	07507155/235-230	9.3	235	9.1	230	109.3
PRO 200PC trench drain H9.1"-8.9"	07507155/230-225	9.1	230	8.9	225	108.0
PRO 200PC trench drain H8.9"-8.7"	07507155/225-220	8.9	225	8.7	220	106.7
PRO 200PC trench drain H8.7"-8.5"	07507155/220-215	8.7	220	8.5	215	105.4
PRO 200PC trench drain H8.5"-8.3"	07507155/215-210	8.5	215	8.3	210	104.1

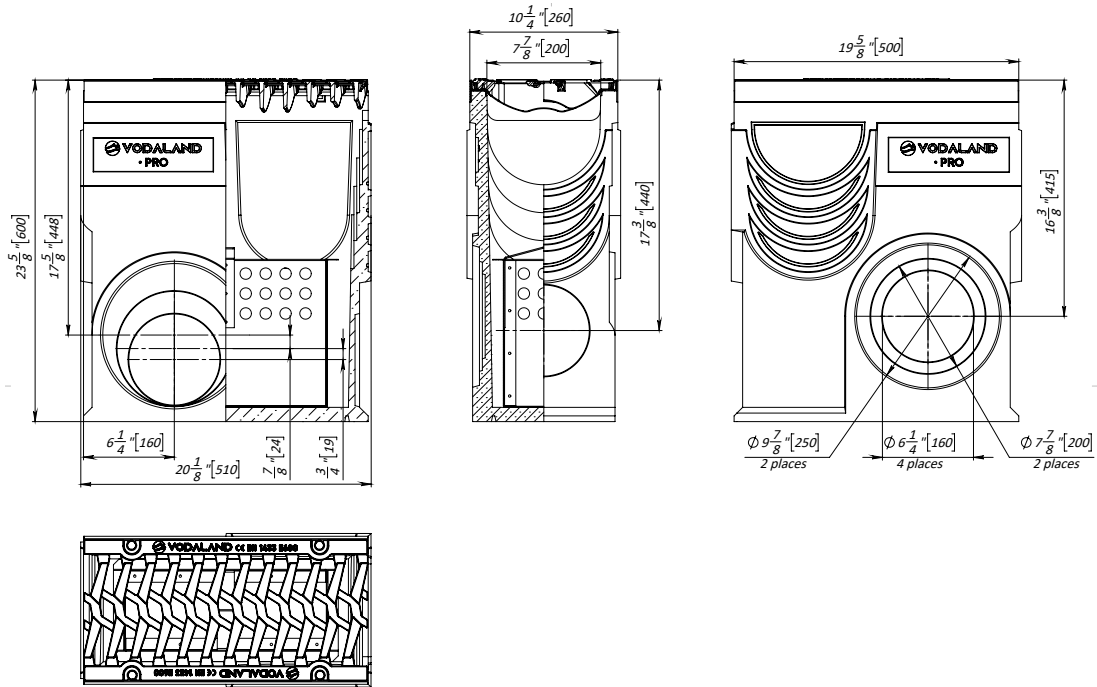
\*Each channel can be equipped with a bottom outlet  $\varnothing$ 110mm and  $\varnothing$ 160mm

**Flow rate chart, 0.5% slope**

Channel height, in	Channel filled with water, %	GPM	L/s
8.3	0.7	302.9	19.11
	1	514	32.43
10.2	0.7	450.3	28.41
	1	733.1	46.25

**REVISED: 2023**

**8" (200mm) PRO POLYMER CONCRETE SAND TRAP - LOAD CLASS E600**



**General:** The inline catch basin shall be Vodaland Canada PRO 200PC as manufactured by Vodaland or approved equal.

**Specification:** Catch basin shall be 19.7" (500mm) long and the nominal clear opening shall be 8" (200mm) with 10.2" (260mm) overall width. Gratings shall be ductile cast iron fastened to steel edge rails and meet the system load class specified. Catch basin and grate shall withstand a required EN1433 load class.

**Materials:** PRO 200PC inline catch basin shall be manufactured from polymer concrete with the following approximate properties:

Compressive strength	14,000 psi
Flexural strength	4,000 psi
Tensile strength	1,500 Psi
Water absorption	0.05%
Frost proof	Yes
Dilute acid and alkali resistant	Yes
Salt proof	Yes

**Description**

Name	Article	H, in	H, mm	W, lb
PRO 200PC inline catch basin	07587155	23.6	600	95.2
PRO 200PC inline catch basin w/ basket	07587155-K	23.6	600	97.2

**Notes:**

\*Water intake area of 76.26 sq. in. (492 cm<sup>2</sup>)

\*Catch basins can feature integrated drain sockets Ø160mm (6.3"), Ø200mm (7.9") and Ø250mm (9.8")

**REVISED: 2023**

**Vodaland Canada Inc.**

1-5900 Ambler Dr, Mississauga, ON L4W 2N3 • Phone: 905-238-1771 • Email: [info@vodaland.ca](mailto:info@vodaland.ca)