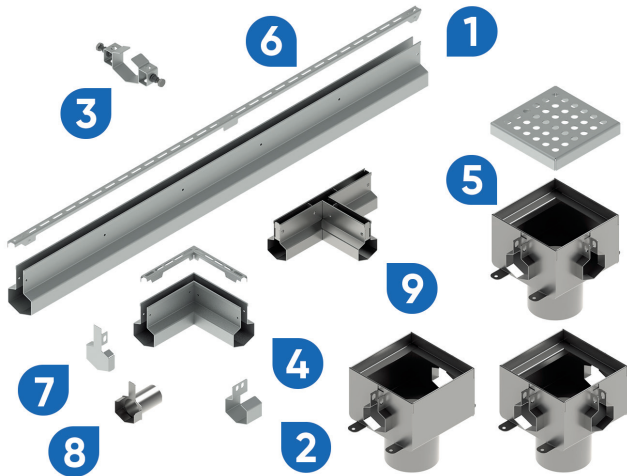


Mini Slot Installation Guide



scan for video



Component Identification:

Item	Description
1	Channel
2	Channel Connector
3	Mounting Bracket
4	90-Degree Channel
5	Catch Basin (3 types)
6	Removable Grate
7	End Cap
8	End Cap with outlet
9	T-connector

Installation:

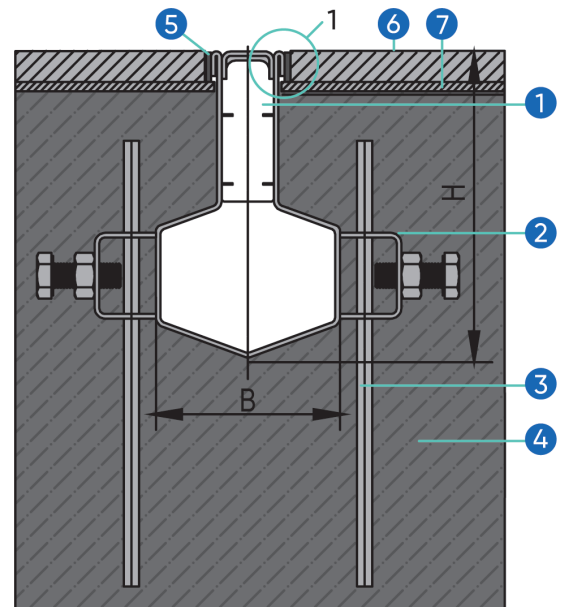
The mini slot drain system is perfect for projects requiring a slot drain with limited depth. It is a fully modular system that has many customizing options for the most specific of project dimensions and shapes.

Important Notes for System

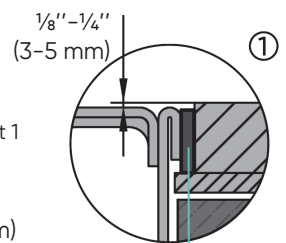
- The slot channels are exactly 1 meter (3.28ft) in length, however they can be cut down to size and still used to match specific length requirements.
- The mini slot channels are made of 100% stainless steel. Allowing it to be completely rust resistant and withstand any chemicals that may pass through.
- The channels feature a V-bottom and will require the use of mini-slot mounting brackets being supported on rebar posts. We recommend 2 brackets per channel.
- The mini slot channels cannot be connected together on their own to create multi-unit runs. You will require one channel connector between every two channels. (For example: if you want to create a 7-unit line, you will need 6 channel connectors)
- Endcaps are not included with this system and must be

purchased separately. The endcaps fit over the ends of the channel. A 2" outlet endcap option is also available.

- This system offers inline basins and 90-degree turn channels. The inline basins are already installed with channel connectors, while the 90-degree turn channels will need the channel connectors just as normal channels do.



1. Slot channel
2. Mounting brackets
3. Rebar
4. Concrete
5. Expansion crack control joint 1
6. Floor tiles
7. Glue-cement



Sealant 1/4" (5mm)
Sealant height = tile height in (mm)

Preparation

- 1 Cut a trench roughly 3-5 inches wider on each side and 2 inches deeper than your mini slot system. This will provide enough room to fully set up your system with mounting brackets and support.
- 2 Measure out the location of where the mounting brackets will be on the channels and prepare the insertion of the rebar in those locations. Attach the mounting brackets to the rebar and insert the rebar into the ground beneath.

Installation

- 1 Remove the mounting brackets from the rebar and slide them onto the mini slot channels. Attach the combined channel and mounting brackets back onto the rebar and tighten the brackets to hold the channels in place.

2 Make all remaining connections for your system including channels-to-channels, 90-degree turns, basins, piping, and so forth.

3 Once your system is fully set up and levelled, double check all the channels are aligned and connections are made. Once complete, you can now back-pour, fill, and pour your concrete. A stone tile installation can be done as well, but make sure the top of the stone is level or just above the top of the mini slot.

4 The mini slot removable grates can now be inserted into the slot opening. The horizontal prong goes in first and fits into the Vodaland logo tab on the next connected unit, and the vertical prong is inserted last into the Vodaland logo tab on the unit itself.

FAQ's

Can this be installed within stone pavers?

Yes, the mini slot system can be installed within both concrete flooring or stone paver flooring. In the case that it is a paver flooring application, make sure to encase with concrete up to the base of the vertical slot, and the paver can then rest above the concrete base. It is recommended to have a layer of sand or fine gravel between the paver and concrete. To have the paver rest directly against the slot, it should have a maximum height of 2 inches.

How do I seal the connections?

The best way to seal connections between channels, end caps, and piping is to apply a silicone sealant that is compatible with stainless steel. It is also possible to weld/solder the channels together if that is preferred.

How do I connect to my piping?

The outlets on the mini slot system may not directly connect with the piping you use. If that is the case, use a rubber coupling between the outlet and piping with clamps to hold the connection.

Are there non-removable cover options?

If you prefer a cover/grate for the mini slot that isn't removable, our standard slot system covers are compatible with the mini slot system. These covers fit over the outside of the slot, meaning that once installed, they cannot be removed.

Vodaland fully stands behind each and every one of our products. We always urge our customers to email or call us with any questions. If you ever have any issues or poor reviews – we would like to hear them – please send us an email at info@vodaland.ca

Thank you again for your business!

Please note: All the specifications, drawings, and installation schemes can be found and downloaded on our website. Go to the product page and you'll find tabs for all these options at the bottom of the page. Installation videos can also be found on **YouTube** at: **Vodaland Canada**.

Contact us:

+1 (905) 238-1771

info@vodaland.ca

www.vodaland.ca

YouTube: Vodaland Canada

