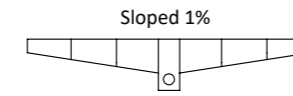
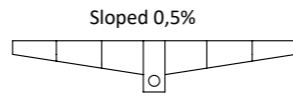
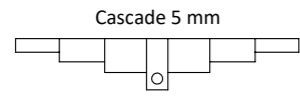


1. Dimensions for reference, inch [mm]
2. Delivery and packaging are carried out in accordance with the terms of the contract
3. The manufacturer reserves the right, without notice to the consumer, to make changes to the design of the products for improvement of their technological and operational parameters, which will not affect the quality and properties of the product
4. Deviation of the actual weight of the nominal can be up to 10%.

UNLESS OTHERWISE SPECIFIED: DIMENSIONS ARE IN MILLIMETERS SURFACE FINISH: TOLERANCES: ISO 2768 - C LINEAR: ANGULAR:			FINISH:		DEBURR AND BREAK SHARP EDGES		DO NOT SCALE DRAWING		REVISION		A-01		
DRAWN			O. Kozhukh		30.09.2022		TITLE:					20"[DN500] Concrete Drain Channel Mega H24.0"18.1"[H610-460] with Cast Iron Grate E600	
CHK'D			V. Kyselytsia				ARTICLE:					A3	
APPV'D			I. Malynovskiy				MATERIAL:					Concrete, Cast Iron	
MFG							WEIGHT: lb / kg					SCALE: 1:10	
Q.A							SHEET 1 OF 2						



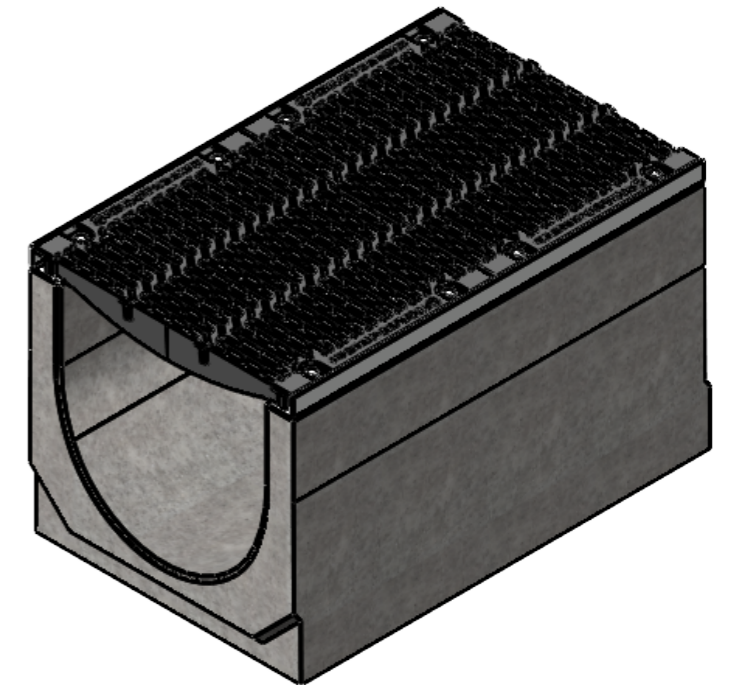
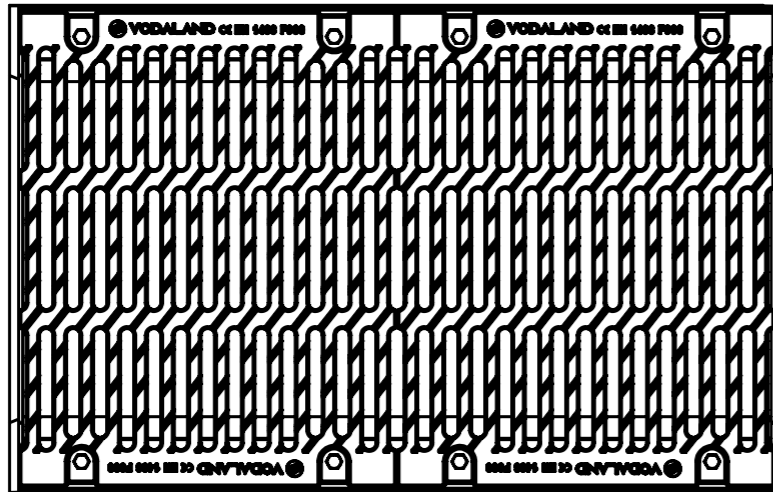
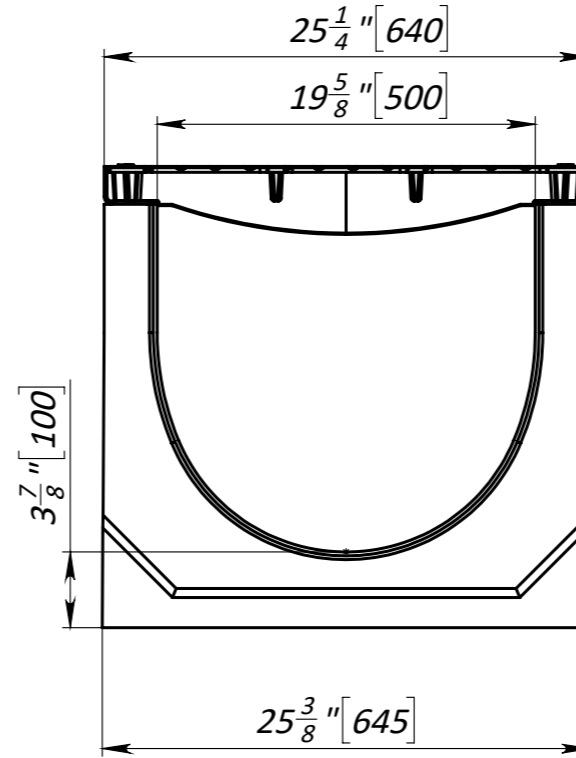
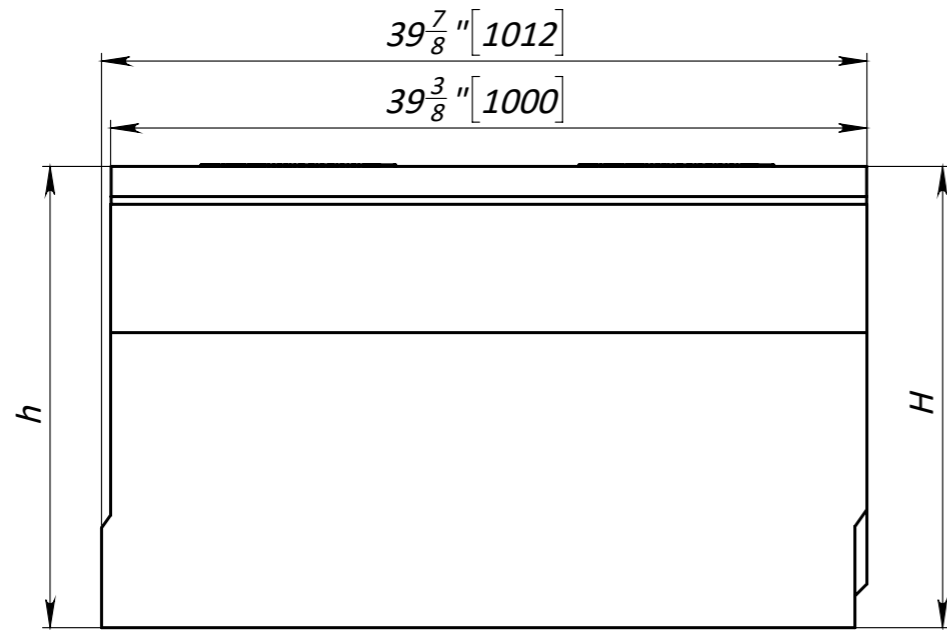
Article	H/h, inch	Weight lb	H/h, mm	Weight kg
04900/610	24,0	1028,5	610	466,5
04900/605	23,8	1025,0	605	464,9
04900/600	23,6	1021,5	600	463,3
04900/595	23,4	1018,0	595	461,8
04900/590	23,2	1014,5	590	460,2
04900/585	23,0	1011,0	585	458,6
04900/580	22,8	1007,5	580	457,0
04900/575	22,6	1004,1	575	455,5
04900/570	22,4	1000,5	570	453,8
04900/565	22,2	997,1	565	452,3
04900/560	22,0	993,6	560	450,7
04900/555	21,9	990,1	555	449,1
04900/550	21,7	986,6	550	447,5
04900/545	21,5	983,1	545	445,9
04900/540	21,3	979,6	540	444,3
04900/535	21,1	976,1	535	442,8
04900/530	20,9	972,6	530	441,2
04900/525	20,7	969,1	525	439,6
04900/520	20,5	965,6	520	438,0
04900/515	20,3	962,1	515	436,4
04900/510	20,1	958,6	510	434,8
04900/505	19,9	955,1	505	433,3
04900/500	19,7	951,6	500	431,7
04900/495	19,5	948,1	495	430,1
04900/490	19,3	944,6	490	428,5
04900/485	19,1	941,1	485	426,9
04900/480	18,9	937,6	480	425,4
04900/475	18,7	934,1	475	423,8
04900/470	18,5	930,6	470	422,2
04900/465	18,3	927,1	465	420,6
04900/460	18,1	923,6	460	419,0

Article	H/h, inch	Weight lb	H/h, mm	Weight kg
04900/610-605	24,0/23,8	1026,7	610/605	465,7
04900/605-600	23,8/23,6	1023,2	605/600	464,1
04900/600-595	23,6/23,4	1019,6	600/595	462,5
04900/595-590	23,4/23,2	1016,1	595/590	460,9
04900/590-585	23,2/23,0	1012,8	590/585	459,4
04900/585-580	23,0/22,8	1009,3	585/580	457,8
04900/580-575	22,8/22,6	1005,7	580/575	456,2
04900/575-570	22,6/22,4	1002,2	575/570	454,6
04900/570-565	22,4/22,2	998,7	570/565	453,0
04900/565-560	22,2/22,0	995,2	565/560	451,4
04900/560-555	22,0/21,9	991,6	560/555	449,8
04900/555-550	21,9/21,7	988,1	555/550	448,2
04900/550-545	21,7/21,5	984,8	550/545	446,7
04900/545-540	21,5/21,3	981,3	545/540	445,1
04900/540-535	21,3/21,1	977,7	540/535	443,5
04900/535-530	21,1/20,9	974,2	535/530	441,9
04900/530-252	20,9/20,7	970,7	530/525	440,3
04900/525-520	20,7/20,5	967,2	525/520	438,7
04900/520-515	20,5/20,3	963,6	520/515	437,1
04900/515-510	20,3/20,1	960,3	515/510	435,6
04900/510-505	20,1/19,9	956,8	510/505	434,0
04900/505-500	19,9/19,7	953,3	505/500	432,4
04900/500-495	19,7/19,5	949,8	500/495	430,8
04900/495-490	19,5/19,3	946,2	495/490	429,2
04900/490-485	19,3/19,1	942,7	490/485	427,6
04900/485-480	19,1/18,9	939,2	485/480	426,0
04900/480-475	18,9/18,7	935,6	480/475	424,4
04900/475-470	18,7/18,5	932,3	475/470	422,9
04900/470-465	18,5/18,3	928,8	470/465	421,3
04900/465-460	18,3/18,1	925,3	465/460	419,7

Article	H/h, inch	Weight lb	H/h, mm	Weight kg
04900/610-600	24,0/23,6	1026,7	610/600	465,7
04900/600-590	23,6/23,2	1019,6	600/590	462,5
04900/590-580	23,2/22,8	1012,8	590/580	459,4
04900/580-570	22,8/22,4	1005,7	580/570	456,2
04900/570-560	22,4/22,0	998,7	570/560	453,0
04900/560-550	22,0/21,7	991,6	560/550	449,8
04900/550-540	21,7/21,3	984,8	550/540	446,7
04900/540-530	21,3/20,9	977,7	540/530	443,5
04900/530-250	20,9/20,5	970,7	530/520	440,3
04900/520-510	20,5/20,1	963,6	520/510	437,1
04900/510-500	20,1/19,7	956,8	510/500	434,0
04900/500-490	19,7/19,3	949,8	500/490	430,8
04900/490-480	19,3/18,9	942,7	490/480	427,6
04900/480-470	18,9/18,5	935,6	480/470	424,4
04900/470-460	18,5/18,1	928,8	470/460	421,3

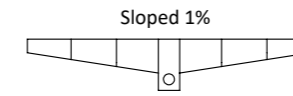
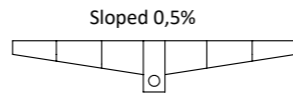
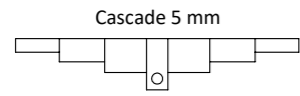
1. Dimensions for reference, inch [mm]
2. Delivery and packaging are carried out in accordance with the terms of the contract
3. The manufacturer reserves the right, without notice to the consumer, to make changes to the design of the products for improvement of their technological and operational parameters, which will not affect the quality and properties of the product
4. Deviation of the actual weight of the nominal can be up to 10%.

UNLESS OTHERWISE SPECIFIED: DIMENSIONS ARE IN MILLIMETERS SURFACE FINISH: TOLERANCES: ISO 2768 - C LINEAR: ANGULAR:		FINISH:		DEBURR AND BREAK SHARP EDGES		DO NOT SCALE DRAWING		REVISION		A-01	
DRAWN		O. Kozhukh		SIGNATURE		DATE		30.09.2022		TITLE:	
CHK'D		V. Kyselytsia		SIGNATURE		DATE				20"[DN500] Concrete Drain Channel Mega H24.0"18.1"[H610-460] with Cast Iron Grate E600	
APPV'D		I. Malynovskiy		SIGNATURE		DATE				ARTICLE:	
MFG				SIGNATURE		DATE				A3	
Q.A				SIGNATURE		DATE				MATERIAL: Concrete, Cast Iron	
				SIGNATURE		DATE				WEIGHT: lb / kg	
				SIGNATURE		DATE				SCALE:1:10	
				SIGNATURE		DATE				SHEET 2 OF 2	



1. Dimensions for reference, inch [mm]
2. Delivery and packaging are carried out in accordance with the terms of the contract
3. The manufacturer reserves the right, without notice to the consumer, to make changes to the design of the products for improvement of their technological and operational parameters, which will not affect the quality and properties of the product
4. Deviation of the actual weight of the nominal can be up to 10%.

UNLESS OTHERWISE SPECIFIED: DIMENSIONS ARE IN MILLIMETERS SURFACE FINISH: TOLERANCES: ISO 2768 - C LINEAR: ANGULAR:		FINISH:	DEBURR AND BREAK SHARP EDGES	DO NOT SCALE DRAWING	REVISION	A-01
DRAWN			O. Kozhukh	SIGNATURE	DATE	30.09.2022
CHK'D			V. Kyselytsia			
APPV'D			I. Malynovskiy			
MFG						
Q.A			MATERIAL:		Concrete, Cast Iron	
			WEIGHT: lb / kg		SCALE: 1:10	
TITLE:				20"[DN500] Concrete Drain Channel Mega H24.0"18.1"[H610-460] with Cast Iron Grate F900		
ARTICLE:				A3		
				SHEET 1 OF 2		



Article	H/h, inch	Weight lb	H/h, mm	Weight kg
04901/610	24,0	1069,3	610	485,0
04901/605	23,8	1065,8	605	483,4
04901/600	23,6	1062,3	600	481,9
04901/595	23,4	1058,8	595	480,3
04901/590	23,2	1055,3	590	478,7
04901/585	23,0	1051,8	585	477,1
04901/580	22,8	1048,3	580	475,5
04901/575	22,6	1044,8	575	473,9
04901/570	22,4	1041,3	570	472,3
04901/565	22,2	1037,8	565	470,7
04901/560	22,0	1034,3	560	469,2
04901/555	21,9	1030,8	555	467,6
04901/550	21,7	1027,3	550	466,0
04901/545	21,5	1023,8	545	464,4
04901/540	21,3	1020,3	540	462,8
04901/535	21,1	1016,8	535	461,2
04901/530	20,9	1013,3	530	459,6
04901/525	20,7	1009,8	525	458,0
04901/520	20,5	1006,3	520	456,5
04901/515	20,3	1002,8	515	454,9
04901/510	20,1	738,3	510	334,9
04901/505	19,9	734,8	505	333,3
04901/500	19,7	731,3	500	331,7
04901/495	19,5	727,8	495	330,1
04901/490	19,3	724,3	490	328,5
04901/485	19,1	720,8	485	326,9
04901/480	18,9	717,3	480	325,4
04901/475	18,7	713,8	475	323,8
04901/470	18,5	710,3	470	322,2
04901/465	18,3	706,8	465	320,6
04901/460	18,1	703,3	460	319,0

Article	H/h, inch	Weight lb	H/h, mm	Weight kg
04901/610-605	24,0/23,8	1069,3	610/605	485,0
04901/605-600	23,8/23,6	1065,8	605/600	483,4
04901/600-595	23,6/23,4	1062,3	600/595	481,9
04901/595-590	23,4/23,2	1058,8	595/590	480,3
04901/590-585	23,2/23,0	1055,3	590/585	478,7
04901/585-580	23,0/22,8	1051,8	585/580	477,1
04901/580-575	22,8/22,6	1048,3	580/575	475,5
04901/575-570	22,6/22,4	1044,8	575/570	473,9
04901/570-565	22,4/22,2	1041,3	570/565	472,3
04901/565-560	22,2/22,0	1037,8	565/560	470,7
04901/560-555	22,0/21,9	1034,3	560/555	469,2
04901/555-550	21,9/21,7	1030,8	555/550	467,6
04901/550-545	21,7/21,5	1027,3	550/545	466,0
04901/545-540	21,5/21,3	1023,8	545/540	464,4
04901/540-535	21,3/21,1	1020,3	540/535	462,8
04901/535-530	21,1/20,9	1016,8	535/530	461,2
04901/530-252	20,9/20,7	1013,3	530/525	459,6
04901/525-520	20,7/20,5	1009,8	525/520	458,0
04901/520-515	20,5/20,3	1006,3	520/515	456,5
04901/515-510	20,3/20,1	1002,8	515/510	454,9
04901/510-505	20,1/19,9	999,3	510/505	453,3
04901/505-500	19,9/19,7	995,8	505/500	451,7
04901/500-495	19,7/19,5	992,3	500/495	450,1
04901/495-490	19,5/19,3	988,8	495/490	448,5
04901/490-485	19,3/19,1	985,3	490/485	446,9
04901/485-480	19,1/18,9	981,8	485/480	445,3
04901/480-475	18,9/18,7	978,3	480/475	443,7
04901/475-470	18,7/18,5	974,8	475/470	442,2
04901/470-465	18,5/18,3	971,3	470/465	440,6
04901/465-460	18,3/18,1	967,9	465/460	439,0

Article	H/h, inch	Weight lb	H/h, mm	Weight kg
04901/610-600	24,0/23,6	1069,3	610/600	485,0
04901/600-590	23,6/23,2	1062,3	600/590	481,9
04901/590-580	23,2/22,8	1055,3	590/580	478,7
04901/580-570	22,8/22,4	1048,3	580/570	475,5
04901/570-560	22,4/22,0	1041,3	570/560	472,3
04901/560-550	22,0/21,7	1034,3	560/550	469,2
04901/550-540	21,7/21,3	1027,3	550/540	466,0
04901/540-530	21,3/20,9	1020,3	540/530	462,8
04901/530-250	20,9/20,5	1013,3	530/520	459,6
04901/520-510	20,5/20,1	1006,3	520/510	456,5
04901/510-500	20,1/19,7	999,3	510/500	453,3
04901/500-490	19,7/19,3	992,3	500/490	450,1
04901/490-480	19,3/18,9	985,3	490/480	446,9
04901/480-470	18,9/18,5	978,3	480/470	443,7
04901/470-460	18,5/18,1	971,3	470/460	440,6

1. Dimensions for reference, inch [mm]
2. Delivery and packaging are carried out in accordance with the terms of the contract
3. The manufacturer reserves the right, without notice to the consumer, to make changes to the design of the products for improvement of their technological and operational parameters, which will not affect the quality and properties of the product
4. Deviation of the actual weight of the nominal can be up to 10%.

UNLESS OTHERWISE SPECIFIED: DIMENSIONS ARE IN MILLIMETERS SURFACE FINISH: TOLERANCES: ISO 2768 - C LINEAR: ANGULAR:		FINISH:		DEBURR AND BREAK SHARP EDGES		DO NOT SCALE DRAWING		REVISION		A-01	
DRAWN		NAME		SIGNATURE		DATE		TITLE:			
CHK'D		O. Kozhukh				30.09.2022		20"[DN500] Concrete Drain Channel Mega H24.0"18.1"[H610-460] with Cast Iron Grate F900			
APPV'D		I. Malynovskiy						ARTICLE:			
MFG								A3			
Q.A								MATERIAL: Concrete, Cast Iron			
								WEIGHT: lb / kg			
								SCALE:1:10			
								SHEET 2 OF 2			