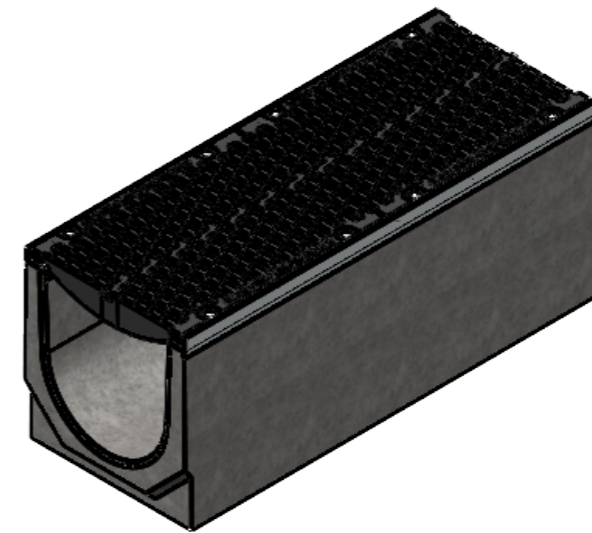
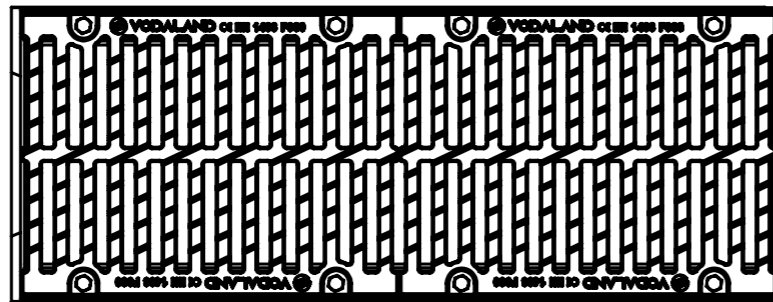
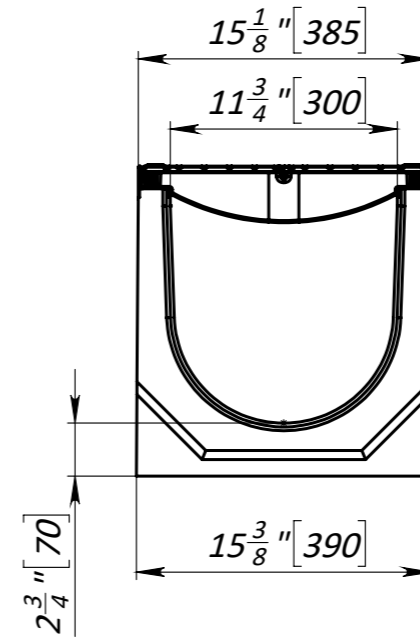
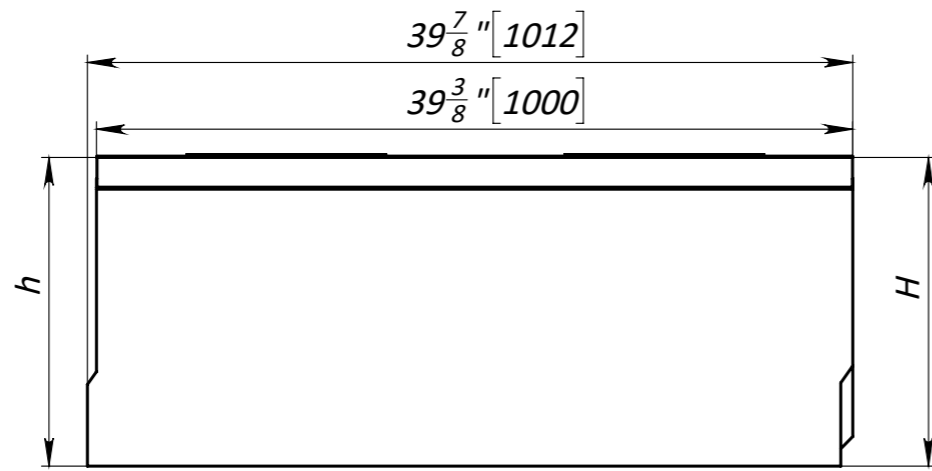


1. Dimensions for reference, inch [mm]
2. Delivery and packaging are carried out in accordance with the terms of the contract
3. The manufacturer reserves the right, without notice to the consumer, to make changes to the design of the products for improvement of their technological and operational parameters, which will not affect the quality and properties of the product
4. Deviation of the actual weight of the nominal can be up to 10%.

UNLESS OTHERWISE SPECIFIED: DIMENSIONS ARE IN MILLIMETERS SURFACE FINISH: TOLERANCES: ISO 2768 - C LINEAR: ANGULAR:		FINISH:	DEBURR AND BREAK SHARP EDGES	DO NOT SCALE DRAWING	REVISION	A-01
DRAWN			O. Kozhukh	SIGNATURE		DATE
CHK'D			V. Kyselytsia	SIGNATURE		DATE
APPV'D			I. Malynovskiy	SIGNATURE		DATE
MFG						
Q.A			MATERIAL:		ARTICLE:	
			Concrete, Cast Iron		A3	
			WEIGHT: lb / kg		SCALE: 1:10	
					SHEET 1 OF 2	
TITLE:				12"[DN300] Concrete Drain Channel Mega H24.0"10.2"[H610-260] with Cast Iron Grate E600		







1. Dimensions for reference, inch [mm]
2. Delivery and packaging are carried out in accordance with the terms of the contract
3. The manufacturer reserves the right, without notice to the consumer, to make changes to the design of the products for improvement of their technological and operational parameters, which will not affect the quality and properties of the product
4. Deviation of the actual weight of the nominal can be up to 10%.

UNLESS OTHERWISE SPECIFIED: DIMENSIONS ARE IN MILLIMETERS SURFACE FINISH: TOLERANCES: ISO 2768 - C LINEAR: ANGULAR:		FINISH:	DEBURR AND BREAK SHARP EDGES	DO NOT SCALE DRAWING	REVISION	A-01
DRAWN			O. Kozhukh	SIGNATURE	DATE	28.09.2022
CHK'D			V. Kyselytsia			
APPV'D			I. Malynovskiy			
MFG						
Q.A			MATERIAL: Concrete, Cast Iron		ARTICLE: A3	
			WEIGHT: lb / kg		SCALE: 1:10	
					SHEET 1 OF 2	

  
**12"[DN300] Concrete Drain Channel  
 Mega H24.0"10.2"[H610-260] with Cast  
 Iron Grate F900**

