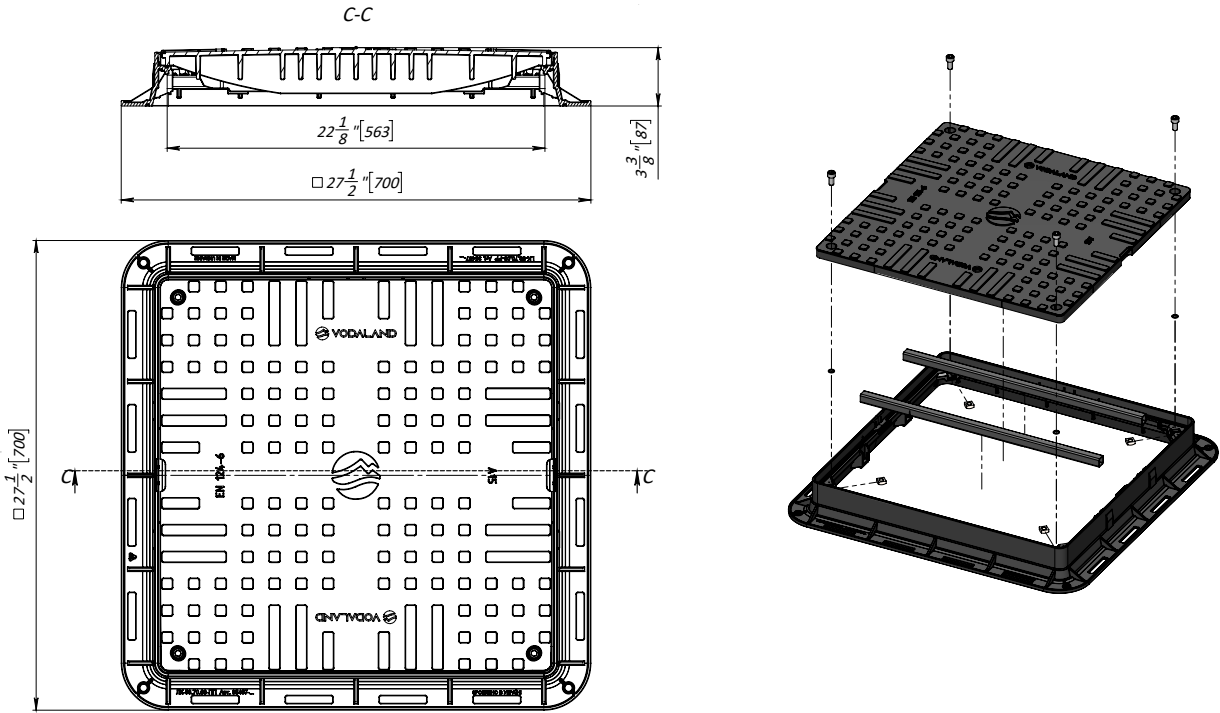


**MANHOLE COVER - LOAD CLASS A15**

**SQUARE MANHOLE COVER**



**General:** The manhole cover shall be Vodaland Canada Square Manhole cover as manufactured by Vodaland or approved equal.

**Specification:** Manhole cover shall be square 27.5" (700mm) external, 22.2" (563mm) internal and 3.4" (87mm) deep. Square Manhole cover shall be manufactured from UV stabilized 100% recycled polypropylene. Units shall have reinforced steel bars and a bolted lock. Round Manhole shall withstand a required EN1433 load class.

| Name                         | Article   | H, in | H, mm | Load Class |
|------------------------------|-----------|-------|-------|------------|
| Square Manhole cover - Grey  | 35487-247 | 3.4   | 87    | A15        |
| Square Manhole cover - Green | 35487-277 | 3.4   | 87    | A15        |
| Square Manhole cover - Black | 35487-207 | 3.4   | 87    | A15        |

REVISED: 2024