



**CANADA
2023**

Concrete trench drains



VODALAND today

Established in 2000, Vodaland is an international manufacturer and supplier specializing in the fields of water collection and removal, custom project engineering, and terrain development.

7 countries
USA, Canada, France, Spain, Poland, Romania, Ukraine



4 Production Plants	11 Sales offices	ISO certified according to ISO 9001	R&D own service R&D	i Project Service	350 international team of workers
-------------------------------	----------------------------	---	-----------------------------------	-----------------------------	---

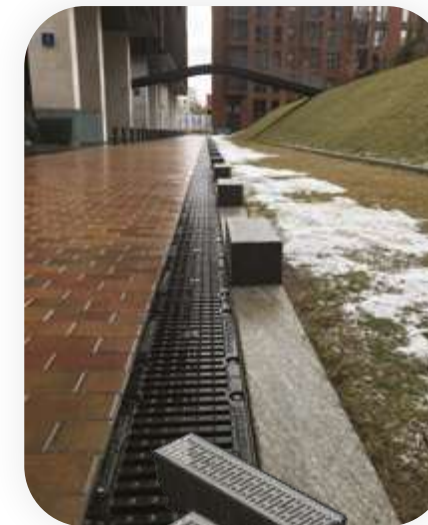
Categories

<ul style="list-style-type: none"> ✓ Trench Drains ✓ Slot drains ✓ Industrial Drains ✓ Catch Basins 	<ul style="list-style-type: none"> ✓ Oil/water separators 	<ul style="list-style-type: none"> ✓ Erosion Control Grids ✓ Plastic Paving Grids 	<ul style="list-style-type: none"> ✓ Manhole Covers ✓ Garden Border/Edging
---	--	---	--

Product Title Terminology

Series	
BASE	Classified as load classes A-C
PRO	Classified as load classes D-E
MEGA	Classified as load classes D-F
Product Lines	
Concrete	Product made of Fiber Concrete material
Polymer concrete	Product made of Polymer Concrete material
Plastic	Product made of PPE Plastic material
STAINLESS	Fully Stainless Steel system
Width	
Inches	The inches in product title refers to internal width

Series explanation



BASE series:
Load Class A15-C250
Small & medium loads, being ideal for residential areas and light commercial application.



PRO series:
Load Class D400-E600
Medium & heavy-duty loads such as gas stations, parking garages, warehouses & forklifts, and curbsides.









MEGA series:
Load Class D400-F900
Used for heavy duty & extreme loads such as heavy traffic roads & highways, industrial zones, and airports.

Load Classifications

Load classifications have been done according to EN 1433; the only standard written specifically for grated trench drains, and internationally recognized.

Each item is designed for a specific load class. The load classes will aid you in choosing the right channels and Grates in accordance with the requirements of your construction project.

EASY Series		A 15 (3,300 lbs.)	Pedestrians, bicycles and wheel chair traffic. Pedestrian zones, parks, recreation areas, stadiums etc.
		B 125 (27,500 lbs.)	Medium-duty pneumatic tire traffic, autos and light trucks at speeds less than 20 m.p.h. Residential areas, parking lots, etc.
		C 250 (55,000 lbs.)	Heavy-duty pneumatic tire forklifts, tractor-trailers, buses. Road shoulders, auto services, garages, etc.
PRO Series		D 400 (88,000 lbs.)	Heavy-duty hard tire forklifts, trucks. Gas stations, car washes, industrial areas, warehouses, etc.
		E 600 (132,000 lbs.)	General dock and aircraft pavements.
		F 900 (198,000 lbs.)	General docks and aircraft pavements subject to high wheel loads.

Type of Surface Drainage

Linear Drainage Systems are used to collect storm-water and melted snow from a large area.



Linear and Point Drainage Systems are both used in storm-water removal and distribution, each with their own function and purpose. The linear channels collect and drain water from the surface, providing safety for road surfaces and pedestrian traffic.

Point Drainage Systems are used for local collection of storm-water and snowmelt.



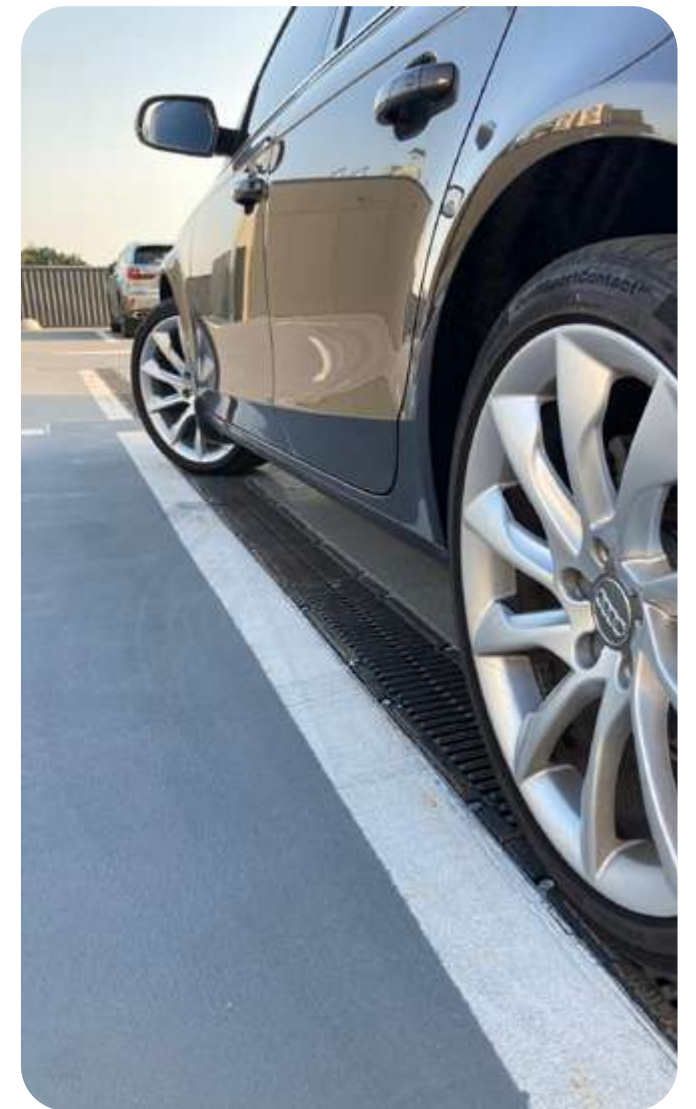
Point drainage systems perform the function of collecting water at a center point. Our catch basins and inline catch basins are equipped with a basket to catch debris and sand, preventing excess sediments going into the system.

CONTENTS

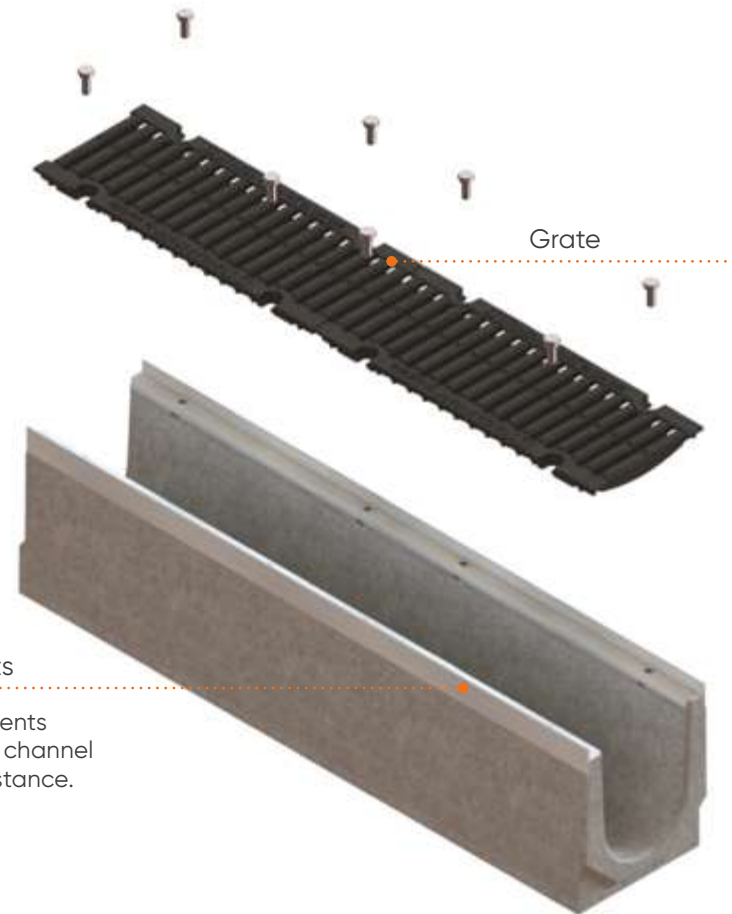
DRAIN

Concrete trench drains

- Linear Drainage
 - PRO Series**
 - PRO 100FC system.....8
 - PRO 150FC system.....12
 - PRO 200FC system.....17
 - PRO 300FC system.....22
 - MEGA Series**
 - MEGA 110FC system.....28
 - MEGA 160FC system.....30
 - MEGA 200FC system.....38
 - MEGA 300FC system.....42
 - MEGA 400FC system.....47
 - MEGA 500FC system.....54
- Point Drainage60
 - MEGA series**
 - MEGA 300-CBFC catch basin E600, F900.....60
 - MEGA 400-CBFC catch basin E600, F900.....63
 - MEGA 500-CBFC catch basin E600, F900.....64



Linear Drainage



End Cap

End caps are used to close off the ends of the drainage line to contain the water that enters the channel. We offer a wide variety of end caps for each type of channels.

Reinforcing Attachments

Galvanized steel attachments reinforce the edges of the channel and increase its wear resistance.



PRO Series

It's best designed for gas stations, parking lots, garages, or any location with consistent light and heavy vehicles passing over.



MEGA Series

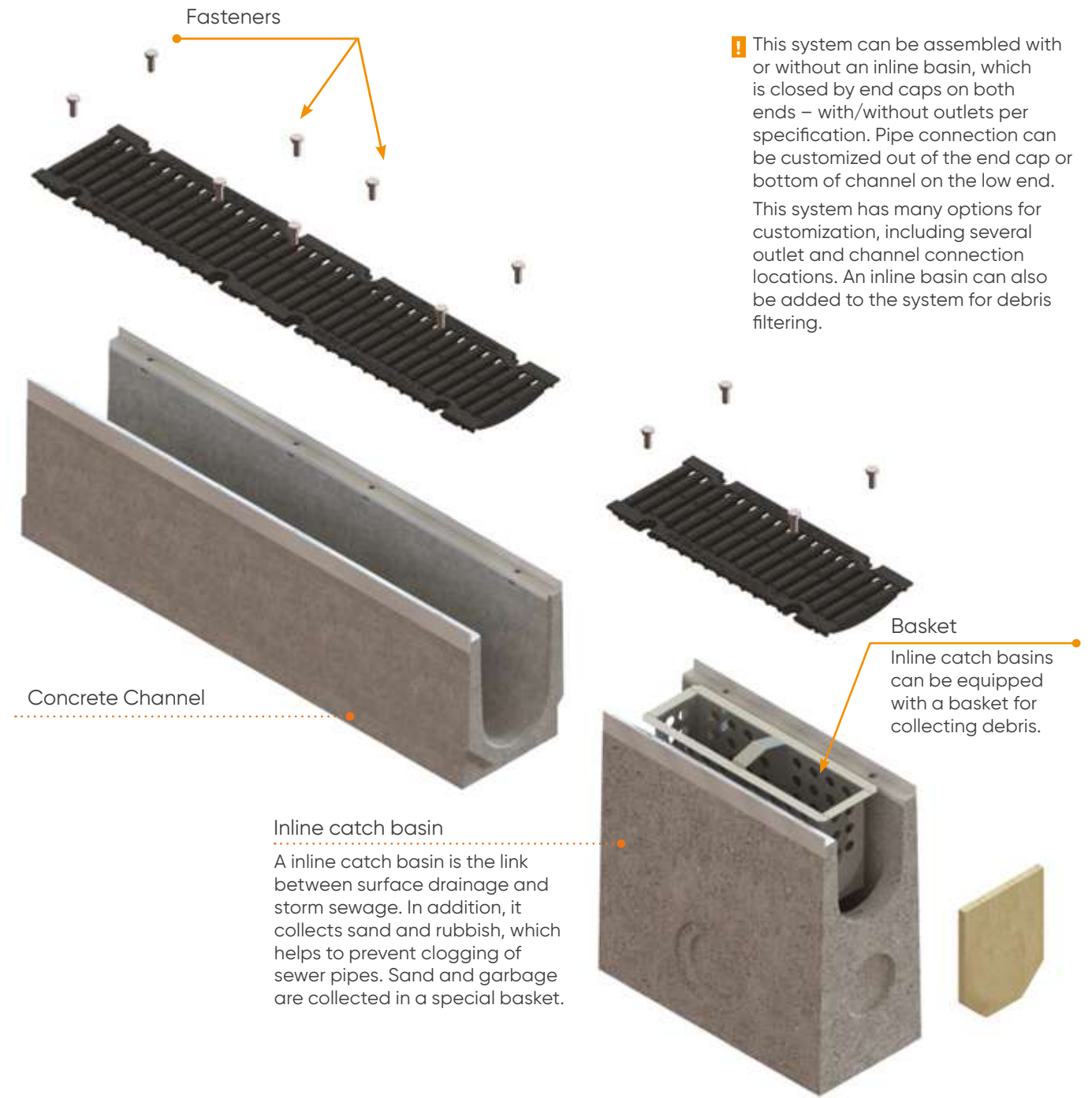
F900 load class for extreme heavy-duty installations such as highways, airports and industrial facilities.



Use brackets for easy installation

Reliable and functional grate fasteners

Fasteners allow the grate to be attached securely to the channel and prevent movement of the grate or unscrewing of the bolt due to the shape of the nut and seat. The fasteners can be easily changed.



Fasteners

Concrete Channel

Basket

Inline catch basins can be equipped with a basket for collecting debris.

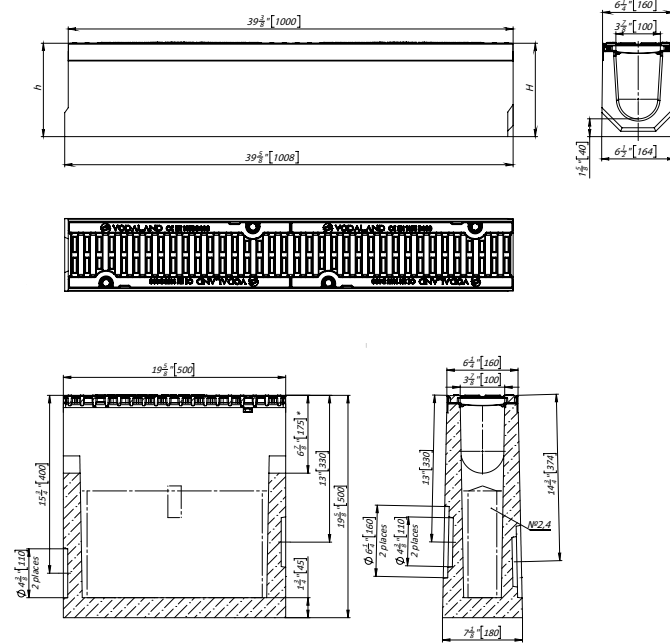
Inline catch basin

A inline catch basin is the link between surface drainage and storm sewage. In addition, it collects sand and rubbish, which helps to prevent clogging of sewer pipes. Sand and garbage are collected in a special basket.

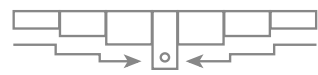
! This system can be assembled with or without an inline basin, which is closed by end caps on both ends – with/without outlets per specification. Pipe connection can be customized out of the end cap or bottom of channel on the low end. This system has many options for customization, including several outlet and channel connection locations. An inline basin can also be added to the system for debris filtering.

PRO 100FC system

4" PRO concrete trench drain D400



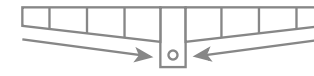
CASCADED SLOPE



Channels can be produced with vertical outlet

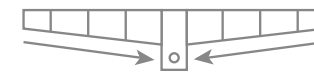
Article	Name	Height		Weight	
		in	mm		
1	040071334/230	4" PRO concrete trench drain H9.1"	9.1	230	118.2
2	040071334/225	4" PRO concrete trench drain H8.9"	8.9	225	116.7
3	040071334/220	4" PRO concrete trench drain H8.7"	8.7	220	115.2
4	040071334/215	4" PRO concrete trench drain H8.5"	8.5	215	113.7
5	040071334/210	4" PRO concrete trench drain H8.3"	8.3	210	112.2
6	040071334/205	4" PRO concrete trench drain H8.1"	8.1	205	110.7
7	040071334/200	4" PRO concrete trench drain H7.9"	7.9	200	109.2
8	040071334/195	4" PRO concrete trench drain H7.7"	7.7	195	107.7
9	040071334/190	4" PRO concrete trench drain H7.5"	7.5	190	106.2
10	040071334/185	4" PRO concrete trench drain H7.3"	7.3	185	104.7
11	040071334/180	4" PRO concrete trench drain H7.1"	7.1	180	103.2
12	040071334/175	4" PRO concrete trench drain H6.9"	6.9	175	101.7
13	040071334/170	4" PRO concrete trench drain H6.7"	6.7	170	100.2
14	040071334/165	4" PRO concrete trench drain H6.5"	6.5	165	98.7
15	040071334/160	4" PRO concrete trench drain H6.3"	6.3	160	97.2
16	040071334/155	4" PRO concrete trench drain H6.1"	6.1	155	95.7
17	040071334/150	4" PRO concrete trench drain H5.9"	5.9	150	94.2
18	040071334/145	4" PRO concrete trench drain H5.7"	5.7	145	92.7
19	040071334/140	4" PRO concrete trench drain H5.5"	5.5	140	91.2
20	040071334/135	4" PRO concrete trench drain H5.3"	5.3	135	89.7
21	040071334/130	4" PRO concrete trench drain H5.1"	5.1	130	88.2
22	040071334/125	4" PRO concrete trench drain H4.9"	4.9	125	86.7
23	040071334/120	4" PRO concrete trench drain H4.7"	4.7	120	85.2
1	040871334-K	4" PRO concrete inline catch basin w/ basket	19.7	500	125.3

0.5% PRESLOPED



Channels can be produced with vertical outlet

1% PRESLOPED



Channels can be produced with vertical outlet

Article	Name	Height, H		Height, h		Weight	
		in	mm	in	mm		
1	040071334/230-225	4" PRO concrete trench drain H9.1"-8.9"	9.1	230	8.9	225	116.3
2	040071334/225-220	4" PRO concrete trench drain H8.9"-8.7"	8.9	225	8.7	220	114.8
3	040071334/220-215	4" PRO concrete trench drain H8.7"-8.5"	8.7	220	8.5	215	113.3
4	040071334/215-210	4" PRO concrete trench drain H8.5"-8.3"	8.5	215	8.3	210	111.8
5	040071334/210-205	4" PRO concrete trench drain H8.3"-8.1"	8.3	210	8.1	205	110.0
6	040071334/205-200	4" PRO concrete trench drain H8.1"-7.9"	8.1	205	7.9	200	108.5
7	040071334/200-195	4" PRO concrete trench drain H7.9"-7.7"	7.9	200	7.7	195	107.0
8	040071334/195-190	4" PRO concrete trench drain H7.7"-7.5"	7.7	195	7.5	190	105.4
9	040071334/190-185	4" PRO concrete trench drain H7.5"-7.3"	7.5	190	7.3	185	103.9
10	040071334/185-180	4" PRO concrete trench drain H7.3"-7.1"	7.3	185	7.1	180	102.4
11	040071334/180-175	4" PRO concrete trench drain H7.1"-6.9"	7.1	180	6.9	175	100.9
12	040071334/175-170	4" PRO concrete trench drain H6.9"-6.7"	6.9	175	6.7	170	99.4
13	040071334/170-165	4" PRO concrete trench drain H6.7"-6.5"	6.7	170	6.5	165	97.9
14	040071334/165-160	4" PRO concrete trench drain H6.5"-6.3"	6.5	165	6.3	160	96.4
15	040071334/160-155	4" PRO concrete trench drain H6.3"-6.1"	6.3	160	6.1	155	94.1
16	040071334/155-150	4" PRO concrete trench drain H6.1"-5.9"	6.1	155	5.9	150	92.4
17	040071334/150-145	4" PRO concrete trench drain H5.9"-5.7"	5.9	150	5.7	145	90.7
18	040071334/145-140	4" PRO concrete trench drain H5.7"-5.5"	5.7	145	5.5	140	89.0
19	040071334/140-135	4" PRO concrete trench drain H5.5"-5.3"	5.5	140	5.3	135	87.3
20	040071334/135-130	4" PRO concrete trench drain H5.3"-5.1"	5.3	135	5.1	130	85.7
21	040071334/130-125	4" PRO concrete trench drain H5.1"-4.9"	5.1	130	4.9	125	84.0
22	040071334/125-120	4" PRO concrete trench drain H4.9"-4.7"	4.9	125	4.7	120	82.3

Article	Name	Height, H		Height, h		Weight	
		in	mm	in	mm		
1	040071334/230-220	4" PRO concrete trench drain H9.1"-8.7"	9.1	230	8.7	220	116.3
2	040071334/220-210	4" PRO concrete trench drain H8.7"-8.3"	8.7	220	8.3	210	113.3
3	040071334/210-200	4" PRO concrete trench drain H8.3"-7.9"	8.3	210	7.9	200	110.0
4	040071334/200-190	4" PRO concrete trench drain H7.9"-7.5"	7.9	200	7.5	190	107.0
5	040071334/190-180	4" PRO concrete trench drain H7.5"-7.1"	7.5	190	7.1	180	103.9
6	040071334/180-170	4" PRO concrete trench drain H7.1"-6.7"	7.1	180	6.7	170	100.9
7	040071334/170-160	4" PRO concrete trench drain H6.7"-6.3"	6.7	170	6.3	160	97.9
8	040071334/160-150	4" PRO concrete trench drain H6.3"-5.9"	6.3	160	5.9	150	94.1
9	040071334/150-140	4" PRO concrete trench drain H5.9"-5.5"	5.9	150	5.5	140	90.7
10	040071334/140-130	4" PRO concrete trench drain H5.5"-5.1"	5.5	140	5.1	130	87.3
11	040071334/130-120	4" PRO concrete trench drain H5.1"-4.7"	5.1	130	4.7	120	84.0



4" End Cap

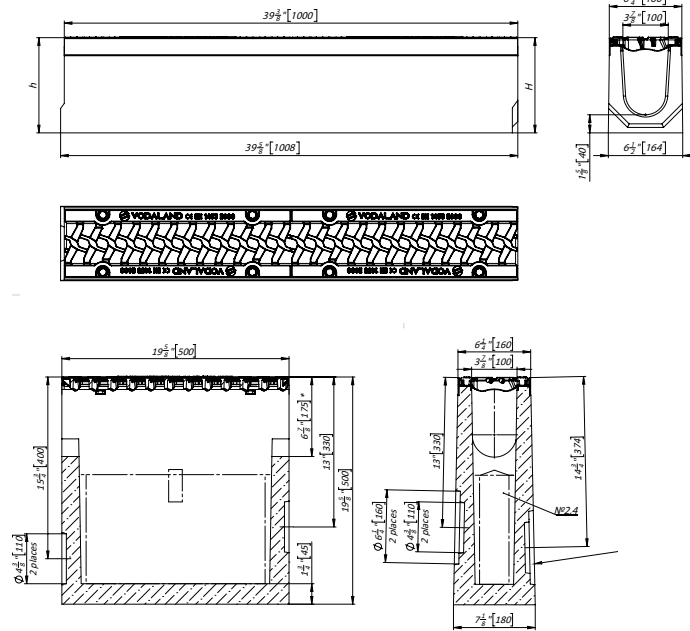
Article	End Cap Name	For Channel Height, in	
1	6701-BD/230	4" PRO concrete end cap H9.1"	9.1
2	6701-BD/225	4" PRO concrete end cap H8.9"	8.9
3	6701-BD/220	4" PRO concrete end cap H8.7"	8.7
4	6701-BD/215	4" PRO concrete end cap H8.5"	8.5
5	6701-BD/210	4" PRO concrete end cap H8.3"	8.3
6	6701-BD/205	4" PRO concrete end cap H8.1"	8.1
7	6701-BD/200	4" PRO concrete end cap H7.9"	7.9
8	6701-BD/195	4" PRO concrete end cap H7.7"	7.7
9	6701-BD/190	4" PRO concrete end cap H7.5"	7.5
10	6701-BD/185	4" PRO concrete end cap H7.3"	7.3
11	6701-BD/180	4" PRO concrete end cap H7.1"	7.1
12	6701-BD/175	4" PRO concrete end cap H6.9"	6.9



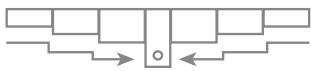
End Caps can be produced with horizontal outlet

Article	End Cap Name	For Channel Height, in	
13	6701-BD/170	4" PRO concrete end cap H6.7"	6.7
14	6701-BD/165	4" PRO concrete end cap H6.5"	6.5
15	6701-BD/160	4" PRO concrete end cap H6.3"	6.3
16	6701-BD/155	4" PRO concrete end cap H6.1"	6.1
17	6701-BD/150	4" PRO concrete end cap H5.9"	5.9
18	6701-BD/145	4" PRO concrete end cap H5.7"	5.7
19	6701-BD/140	4" PRO concrete end cap H5.5"	5.5
20	6701-BD/135	4" PRO concrete end cap H5.3"	5.3
21	6701-BD/130	4" PRO concrete end cap H5.1"	5.1
22	6701-BD/125	4" PRO concrete end cap H4.9"	4.9
23	6701-BD/120	4" PRO concrete end cap H4.7"	4.7

4" PRO concrete trench drain E600



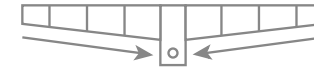
CASCADED SLOPE



Channels can be produced with vertical outlet

Article	Name	Height		Weight	
		in	mm		
1	04007155/230	4" PRO concrete trench drain H9.1"	9.1	230	121.9
2	04007155/225	4" PRO concrete trench drain H8.9"	8.9	225	120.4
3	04007155/220	4" PRO concrete trench drain H8.7"	8.7	220	118.9
4	04007155/215	4" PRO concrete trench drain H8.5"	8.5	215	117.4
5	04007155/210	4" PRO concrete trench drain H8.3"	8.3	210	115.9
6	04007155/205	4" PRO concrete trench drain H8.1"	8.1	205	114.4
7	04007155/200	4" PRO concrete trench drain H7.9"	7.9	200	112.9
8	04007155/195	4" PRO concrete trench drain H7.7"	7.7	195	111.4
9	04007155/190	4" PRO concrete trench drain H7.5"	7.5	190	109.9
10	04007155/185	4" PRO concrete trench drain H7.3"	7.3	185	108.4
11	04007155/180	4" PRO concrete trench drain H7.1"	7.1	180	106.9
12	04007155/175	4" PRO concrete trench drain H6.9"	6.9	175	105.4
13	04007155/170	4" PRO concrete trench drain H6.7"	6.7	170	103.9
14	04007155/165	4" PRO concrete trench drain H6.5"	6.5	165	102.4
15	04007155/160	4" PRO concrete trench drain H6.3"	6.3	160	100.9
16	04007155/155	4" PRO concrete trench drain H6.1"	6.1	155	99.4
17	04007155/150	4" PRO concrete trench drain H5.9"	5.9	150	97.9
18	04007155/145	4" PRO concrete trench drain H5.7"	5.7	145	96.4
19	04007155/140	4" PRO concrete trench drain H5.5"	5.5	140	94.9
20	04007155/135	4" PRO concrete trench drain H5.3"	5.3	135	93.4
21	04007155/130	4" PRO concrete trench drain H5.1"	5.1	130	91.9
22	04007155/125	4" PRO concrete trench drain H4.9"	4.9	125	90.4
23	04007155/120	4" PRO concrete trench drain H4.7"	4.7	120	88.9
1	04087155-K	4" PRO concrete inline catch basin w/ basket	19.7	500	126.7

0.5% PRESLOPED



Channels can be produced with vertical outlet

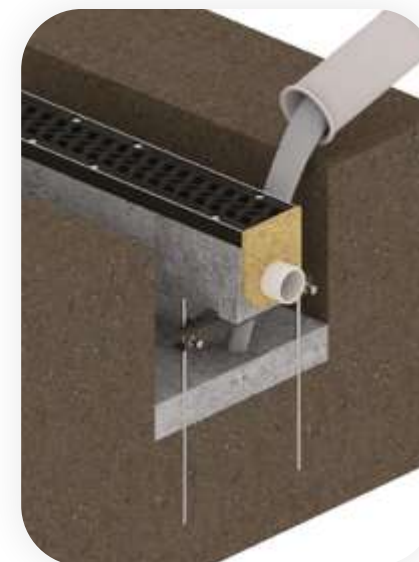
1% PRESLOPED



Channels can be produced with vertical outlet

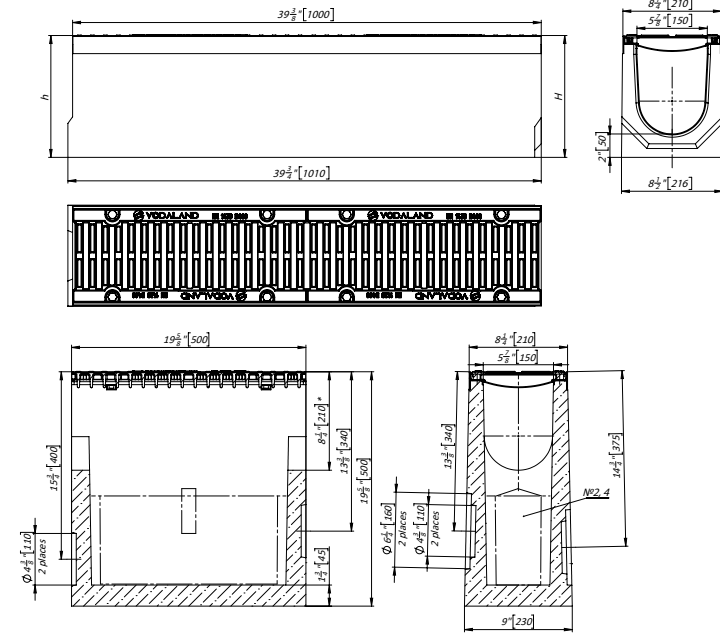
Article	Name	Height, H		Height, h		Weight	
		in	mm	in	mm		
1	04007155/230-225	4" PRO concrete trench drain H9.1"-8.9"	9.1	230	8.9	225	119.1
2	04007155/225-220	4" PRO concrete trench drain H8.9"-8.7"	8.9	225	8.7	220	117.6
3	04007155/220-215	4" PRO concrete trench drain H8.7"-8.5"	8.7	220	8.5	215	116.1
4	04007155/215-210	4" PRO concrete trench drain H8.5"-8.3"	8.5	215	8.3	210	114.6
5	04007155/210-205	4" PRO concrete trench drain H8.3"-8.1"	8.3	210	8.1	205	112.8
6	04007155/205-200	4" PRO concrete trench drain H8.1"-7.9"	8.1	205	7.9	200	111.3
7	04007155/200-195	4" PRO concrete trench drain H7.9"-7.7"	7.9	200	7.7	195	109.8
8	04007155/195-190	4" PRO concrete trench drain H7.7"-7.5"	7.7	195	7.5	190	108.3
9	04007155/190-185	4" PRO concrete trench drain H7.5"-7.3"	7.5	190	7.3	185	106.7
10	04007155/185-180	4" PRO concrete trench drain H7.3"-7.1"	7.3	185	7.1	180	105.2
11	04007155/180-175	4" PRO concrete trench drain H7.1"-6.9"	7.1	180	6.9	175	103.7
12	04007155/175-170	4" PRO concrete trench drain H6.9"-6.7"	6.9	175	6.7	170	102.3
13	04007155/170-165	4" PRO concrete trench drain H6.7"-6.5"	6.7	170	6.5	165	100.7
14	04007155/165-160	4" PRO concrete trench drain H6.5"-6.3"	6.5	165	6.3	160	99.2
15	04007155/160-155	4" PRO concrete trench drain H6.3"-6.1"	6.3	160	6.1	155	96.9
16	04007155/155-150	4" PRO concrete trench drain H6.1"-5.9"	6.1	155	5.9	150	95.2
17	04007155/150-145	4" PRO concrete trench drain H5.9"-5.7"	5.9	150	5.7	145	93.5
18	04007155/145-140	4" PRO concrete trench drain H5.7"-5.5"	5.7	145	5.5	140	91.8
19	04007155/140-135	4" PRO concrete trench drain H5.5"-5.3"	5.5	140	5.3	135	90.2
20	04007155/135-130	4" PRO concrete trench drain H5.3"-5.1"	5.3	135	5.1	130	88.5
21	04007155/130-125	4" PRO concrete trench drain H5.1"-4.9"	5.1	130	4.9	125	86.8
22	04007155/125-120	4" PRO concrete trench drain H4.9"-4.7"	4.9	125	4.7	120	85.1

Article	Name	Height, H		Height, h		Weight	
		in	mm	in	mm		
1	04007155/230-220	4" PRO concrete trench drain H9.1"-8.7"	9.1	230	8.7	220	119.1
2	04007155/220-210	4" PRO concrete trench drain H8.7"-8.3"	8.7	220	8.3	210	116.1
3	04007155/210-200	4" PRO concrete trench drain H8.3"-7.9"	8.3	210	7.9	200	112.8
4	04007155/200-190	4" PRO concrete trench drain H7.9"-7.5"	7.9	200	7.5	190	109.8
5	04007155/190-180	4" PRO concrete trench drain H7.5"-7.1"	7.5	190	7.1	180	106.7
6	04007155/180-170	4" PRO concrete trench drain H7.1"-6.7"	7.1	180	6.7	170	103.7
7	04007155/170-160	4" PRO concrete trench drain H6.7"-6.3"	6.7	170	6.3	160	100.7
8	04007155/160-150	4" PRO concrete trench drain H6.3"-5.9"	6.3	160	5.9	150	96.9
9	04007155/150-140	4" PRO concrete trench drain H5.9"-5.5"	5.9	150	5.5	140	93.5
10	04007155/140-130	4" PRO concrete trench drain H5.5"-5.1"	5.5	140	5.1	130	90.2
11	04007155/130-120	4" PRO concrete trench drain H5.1"-4.7"	5.1	130	4.7	120	86.8

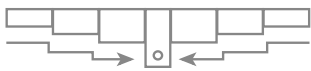


PRO 150FC system

6" PRO concrete trench drain D400

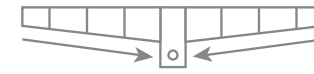


CASCADED SLOPE



Channels can be produced with vertical outlet

0.5% PRESLOPED



Channels can be produced with vertical outlet

1% PRESLOPED



Channels can be produced with vertical outlet

Article	Name	Height		Weight	
		in	mm		
1	042071334/310	6" PRO concrete trench drain H12.2"	12.2	310	177.3
2	042071334/305	6" PRO concrete trench drain H12.0"	12.0	305	175.8
3	042071334/300	6" PRO concrete trench drain H11.8"	11.8	300	174.3
4	042071334/295	6" PRO concrete trench drain H11.6"	11.6	295	172.8
5	042071334/290	6" PRO concrete trench drain H11.4"	11.4	290	171.3
6	042071334/285	6" PRO concrete trench drain H11.2"	11.2	285	169.8
7	042071334/280	6" PRO concrete trench drain H11.0"	11.0	280	168.3
8	042071334/275	6" PRO concrete trench drain H10.8"	10.8	275	166.8
9	042071334/270	6" PRO concrete trench drain H10.6"	10.6	270	165.3
10	042071334/265	6" PRO concrete trench drain H10.4"	10.4	265	163.8
11	042071334/260	6" PRO concrete trench drain H10.2"	10.2	260	162.0
12	042071334/255	6" PRO concrete trench drain H10.0"	10.0	255	160.5
13	042071334/250	6" PRO concrete trench drain H9.8"	9.8	250	158.9
14	042071334/245	6" PRO concrete trench drain H9.6"	9.6	245	157.4
15	042071334/240	6" PRO concrete trench drain H9.4"	9.4	240	155.8
16	042071334/235	6" PRO concrete trench drain H9.3"	9.3	235	154.3
17	042071334/230	6" PRO concrete trench drain H9.1"	9.1	230	152.8
18	042071334/225	6" PRO concrete trench drain H8.9"	8.9	225	151.2
19	042071334/220	6" PRO concrete trench drain H8.7"	8.7	220	149.7
20	042071334/215	6" PRO concrete trench drain H8.5"	8.5	215	148.1
21	042071334/210	6" PRO concrete trench drain H8.3"	8.3	210	146.1
22	042071334/205	6" PRO concrete trench drain H8.1"	8.1	205	144.4
23	042071334/200	6" PRO concrete trench drain H7.9"	7.9	200	142.8
24	042071334/195	6" PRO concrete trench drain H7.7"	7.7	195	141.1
25	042071334/190	6" PRO concrete trench drain H7.5"	7.5	190	139.4
26	042071334/185	6" PRO concrete trench drain H7.3"	7.3	185	137.7
27	042071334/180	6" PRO concrete trench drain H7.1"	7.1	180	136.1
28	042071334/175	6" PRO concrete trench drain H6.9"	6.9	175	134.4
29	042071334/170	6" PRO concrete trench drain H6.7"	6.7	170	132.7
30	042071334/165	6" PRO concrete trench drain H6.5"	6.5	165	131.0
31	042071334/160	6" PRO concrete trench drain H6.3"	6.3	160	128.8
32	042071334/155	6" PRO concrete trench drain H6.1"	6.1	155	127.0
1	042871334-K	6" PRO concrete inline catch basin w/ basket	19.7	500	140.4



For installation use bracket art. 61241-b

Article	Name	Height, H		Height, h		Weight	
		in	mm	in	mm		
1	042071334/310-305	6" PRO concrete trench drain H12.0"-12.0"	12.2	310	12.0	305	176.5
2	042071334/305-300	6" PRO concrete trench drain H12.0"-11.8"	12.0	305	11.8	300	175.0
3	042071334/300-295	6" PRO concrete trench drain H11.8"-11.6"	11.8	300	11.6	295	173.5
4	042071334/295-290	6" PRO concrete trench drain H11.6"-11.4"	11.6	295	11.4	290	172.0
5	042071334/290-285	6" PRO concrete trench drain H11.4"-11.2"	11.4	290	11.2	285	170.5
6	042071334/285-280	6" PRO concrete trench drain H11.2"-11.0"	11.2	285	11.0	280	168.9
7	042071334/280-275	6" PRO concrete trench drain H11.0"-10.8"	11.0	280	10.8	275	167.4
8	042071334/275-270	6" PRO concrete trench drain H10.8"-10.6"	10.8	275	10.6	270	165.9
9	042071334/270-265	6" PRO concrete trench drain H10.6"-10.4"	10.6	270	10.4	265	164.4
10	042071334/265-260	6" PRO concrete trench drain H10.4"-10.2"	10.4	265	10.2	260	162.9
11	042071334/260-255	6" PRO concrete trench drain H10.2"-10.0"	10.2	260	10.0	255	161.2
12	042071334/255-250	6" PRO concrete trench drain H10.0"-9.8"	10.0	255	9.8	250	160.0
13	042071334/250-245	6" PRO concrete trench drain H9.8"-9.6"	9.8	250	9.6	245	158.8
14	042071334/245-240	6" PRO concrete trench drain H9.6"-9.4"	9.6	245	9.4	240	157.5
15	042071334/240-235	6" PRO concrete trench drain H9.4"-9.3"	9.4	240	9.3	235	156.3
16	042071334/235-230	6" PRO concrete trench drain H9.3"-9.1"	9.3	235	9.1	230	155.1
17	042071334/230-225	6" PRO concrete trench drain H9.1"-8.9"	9.1	230	8.9	225	153.8
18	042071334/225-220	6" PRO concrete trench drain H8.9"-8.7"	8.9	225	8.7	220	152.6
19	042071334/220-215	6" PRO concrete trench drain H8.7"-8.5"	8.7	220	8.5	215	151.4
20	042071334/215-210	6" PRO concrete trench drain H8.5"-8.3"	8.5	215	8.3	210	150.1
21	042071334/210-205	6" PRO concrete trench drain H8.3"-8.1"	8.3	210	8.1	205	148.9
22	042071334/205-200	6" PRO concrete trench drain H8.1"-7.9"	8.1	205	7.9	200	147.7
23	042071334/200-195	6" PRO concrete trench drain H7.9"-7.7"	7.9	200	7.7	195	146.4
24	042071334/195-190	6" PRO concrete trench drain H7.7"-7.5"	7.7	195	7.5	190	145.2
25	042071334/190-185	6" PRO concrete trench drain H7.5"-7.3"	7.5	190	7.3	185	144.0
26	042071334/185-180	6" PRO concrete trench drain H7.3"-7.1"	7.3	185	7.1	180	142.7
27	042071334/180-175	6" PRO concrete trench drain H7.1"-6.9"	7.1	180	6.9	175	141.5
28	042071334/175-170	6" PRO concrete trench drain H6.9"-6.7"	6.9	175	6.7	170	140.3
29	042071334/170-165	6" PRO concrete trench drain H6.7"-6.5"	6.7	170	6.5	165	139.0
30	042071334/165-160	6" PRO concrete trench drain H6.5"-6.3"	6.5	165	6.3	160	137.8
31	042071334/160-155	6" PRO concrete trench drain H6.3"-6.1"	6.3	160	6.1	155	136.6
32	042071334/155-150	6" PRO concrete trench drain H6.1"-5.9"	6.1	155	5.9	150	135.3

Article	Name	Height, H		Height, h		Weight	
		in	mm	in	mm		
1	042071334/310-300	6" PRO concrete trench drain H12.0"-11.8"	12.2	310	11.8	300	176.5
2	042071334/300-290	6" PRO concrete trench drain H11.8"-11.4"	11.8	300	11.4	290	173.5
3	042071334/290-280	6" PRO concrete trench drain H11.4"-11.0"	11.4	290	11.0	280	170.5
4	042071334/280-270	6" PRO concrete trench drain H11.0"-10.6"	11.0	280	10.6	270	167.4
5	042071334/270-260	6" PRO concrete trench drain H10.6"-10.2"	10.6	270	10.2	260	164.4
6	042071334/260-250	6" PRO concrete trench drain H10.2"-9.8"	10.2	260	9.8	250	161.2
7	042071334/250-240	6" PRO concrete trench drain H9.8"-9.4"	9.8	250	9.4	240	158.8
8	042071334/240-230	6" PRO concrete trench drain H9.4"-9.1"	9.4	240	9.1	230	156.3
9	042071334/230-220	6" PRO concrete trench drain H9.1"-8.7"	9.1	230	8.7	220	153.8
10	042071334/220-210	6" PRO concrete trench drain H8.7"-8.3"	8.7	220	8.3	210	151.4
11	042071334/210-200	6" PRO concrete trench drain H8.3"-7.9"	8.3	210	7.9	200	148.9
12	042071334/200-190	6" PRO concrete trench drain H7.9"-7.5"	7.9	200	7.5	190	146.4
13	042071334/190-180	6" PRO concrete trench drain H7.5"-7.1"	7.5	190	7.1	180	144.0
14	042071334/180-170	6" PRO concrete trench drain H7.1"-6.7"	7.1	180	6.7	170	141.5
15	042071334/170-160	6" PRO concrete trench drain H6.7"-6.3"	6.7	170	6.3	160	139.0
16	042071334/160-150	6" PRO concrete trench drain H6.3"-5.9"	6.3	160	5.9	150	136.6

6" End Cap

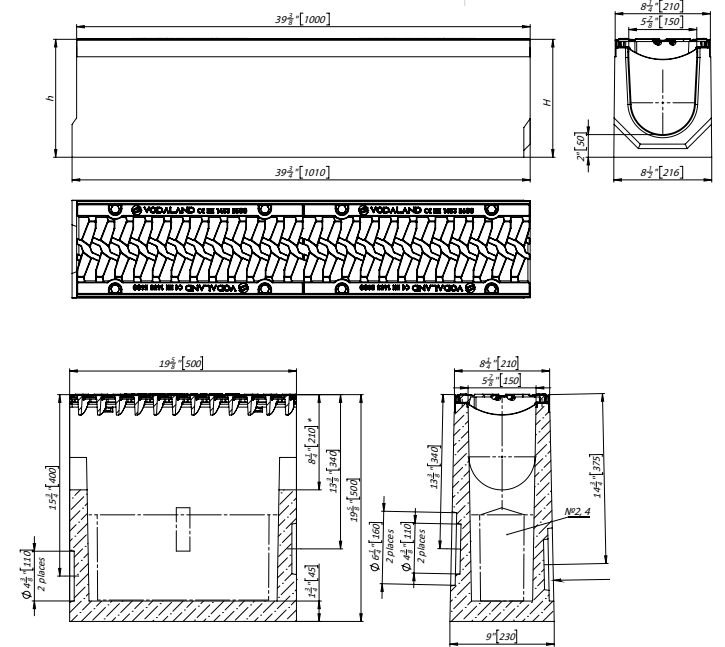
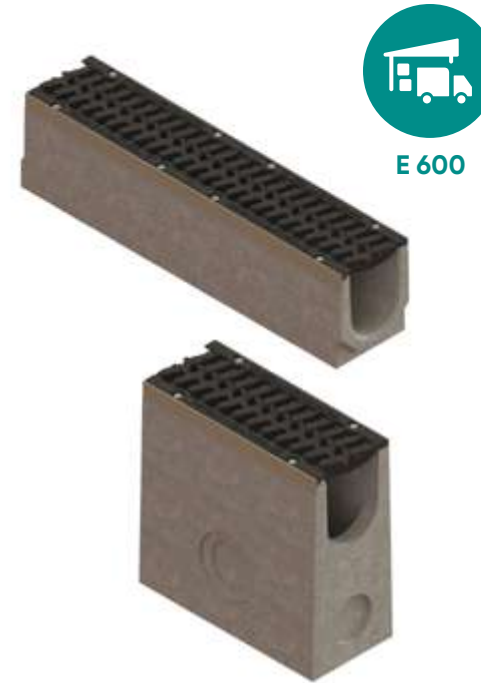
End Caps can be produced with horizontal outlet

Article	End Cap Name	For Channel Height, in
1	6721-BD/310	6" PRO concrete end cap H12.2"
2	6721-BD/305	6" PRO concrete end cap H12.0"
3	6721-BD/300	6" PRO concrete end cap H11.8"
4	6721-BD/295	6" PRO concrete end cap H11.6"
5	6721-BD/290	6" PRO concrete end cap H11.4"
6	6721-BD/285	6" PRO concrete end cap H11.2"
7	6721-BD/280	6" PRO concrete end cap H11.0"
8	6721-BD/275	6" PRO concrete end cap H10.8"
9	6721-BD/270	6" PRO concrete end cap H10.6"
10	6721-BD/265	6" PRO concrete end cap H10.4"
11	6721-BD/260	6" PRO concrete end cap H10.2"
12	6721-BD/255	6" PRO concrete end cap H10.0"
13	6721-BD/250	6" PRO concrete end cap H9.8"
14	6721-BD/245	6" PRO concrete end cap H9.6"
15	6721-BD/240	6" PRO concrete end cap H9.4"
16	6721-BD/235	6" PRO concrete end cap H9.3"

Article	End Cap Name	For Channel Height, in
17	6721-BD/230	6" PRO concrete end cap H9.1"
18	6721-BD/225	6" PRO concrete end cap H8.9"
19	6721-BD/220	6" PRO concrete end cap H8.7"
20	6721-BD/215	6" PRO concrete end cap H8.5"
21	6721-BD/210	6" PRO concrete end cap H8.3"
22	6721-BD/205	6" PRO concrete end cap H8.1"
23	6721-BD/200	6" PRO concrete end cap H7.9"
24	6721-BD/195	6" PRO concrete end cap H7.7"
25	6721-BD/190	6" PRO concrete end cap H7.5"
26	6721-BD/185	6" PRO concrete end cap H7.3"
27	6721-BD/180	6" PRO concrete end cap H7.1"
28	6721-BD/175	6" PRO concrete end cap H6.9"
29	6721-BD/170	6" PRO concrete end cap H6.7"
30	6721-BD/165	6" PRO concrete end cap H6.5"
31	6721-BD/160	6" PRO concrete end cap H6.3"
32	6721-BD/155	6" PRO concrete end cap H6.1"



6" PRO concrete trench drain E600



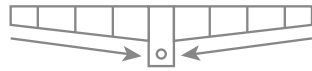
CASCADED SLOPE



Channels can be produced with vertical outlet

Article	Name	Height		Weight lbs	
		in	mm		
1	04207155/310	6" PRO concrete trench drain H12.2"	12.2	310	182.5
2	04207155/305	6" PRO concrete trench drain H12.0"	12.0	305	181.0
3	04207155/300	6" PRO concrete trench drain H11.8"	11.8	300	179.5
4	04207155/295	6" PRO concrete trench drain H11.6"	11.6	295	178.0
5	04207155/290	6" PRO concrete trench drain H11.4"	11.4	290	176.5
6	04207155/285	6" PRO concrete trench drain H11.2"	11.2	285	174.9
7	04207155/280	6" PRO concrete trench drain H11.0"	11.0	280	173.4
8	04207155/275	6" PRO concrete trench drain H10.8"	10.8	275	171.9
9	04207155/270	6" PRO concrete trench drain H10.6"	10.6	270	170.4
10	04207155/265	6" PRO concrete trench drain H10.4"	10.4	265	168.9
11	04207155/260	6" PRO concrete trench drain H10.2"	10.2	260	167.2
12	04207155/255	6" PRO concrete trench drain H10.0"	10.0	255	165.7
13	04207155/250	6" PRO concrete trench drain H9.8"	9.8	250	164.2
14	04207155/245	6" PRO concrete trench drain H9.6"	9.6	245	162.6
15	04207155/240	6" PRO concrete trench drain H9.4"	9.4	240	161.1
16	04207155/235	6" PRO concrete trench drain H9.3"	9.3	235	159.5
17	04207155/230	6" PRO concrete trench drain H9.1"	9.1	230	158.0
18	04207155/225	6" PRO concrete trench drain H8.9"	8.9	225	156.4
19	04207155/220	6" PRO concrete trench drain H8.7"	8.7	220	154.9
20	04207155/215	6" PRO concrete trench drain H8.5"	8.5	215	153.4
21	04207155/210	6" PRO concrete trench drain H8.3"	8.3	210	151.3
22	04207155/205	6" PRO concrete trench drain H8.1"	8.1	205	149.7
23	04207155/200	6" PRO concrete trench drain H7.9"	7.9	200	148.0
24	04207155/195	6" PRO concrete trench drain H7.7"	7.7	195	146.3
25	04207155/190	6" PRO concrete trench drain H7.5"	7.5	190	144.6
26	04207155/185	6" PRO concrete trench drain H7.3"	7.3	185	143.0
27	04207155/180	6" PRO concrete trench drain H7.1"	7.1	180	141.3
28	04207155/175	6" PRO concrete trench drain H6.9"	6.9	175	139.6
29	04207155/170	6" PRO concrete trench drain H6.7"	6.7	170	137.9
30	04207155/165	6" PRO concrete trench drain H6.5"	6.5	165	136.3
31	04207155/160	6" PRO concrete trench drain H6.3"	6.3	160	134.0
32	04207155/155	6" PRO concrete trench drain H6.1"	6.1	155	132.2
1	04287155-K	6" PRO concrete inline catch basin w/ basket	19.7	500	143.0

0.5% PRESLOPED



Channels can be produced with vertical outlet

1% PRESLOPED



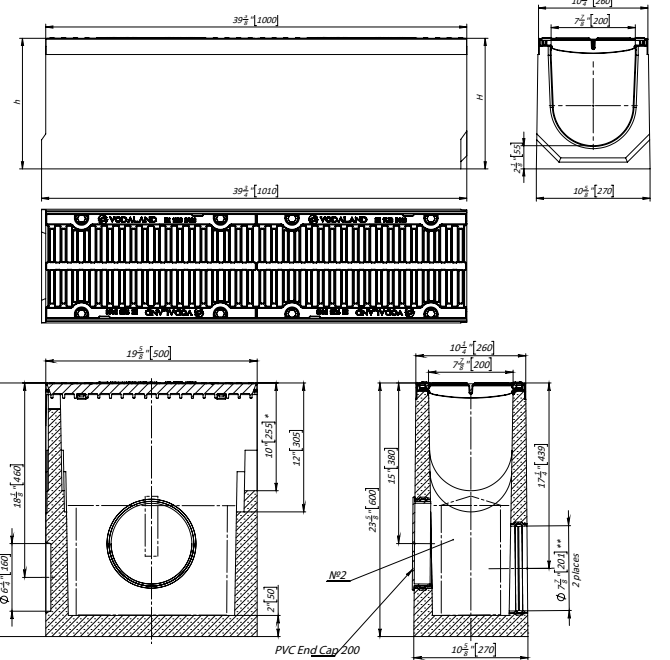
Channels can be produced with vertical outlet

	Article	Name	Height, H		Height, h		Weight lbs
			in	mm	in	mm	
1	04207155/310-305	6" PRO concrete trench drain H12.0"-12.0"	12.2	310	12.0	305	181.8
2	04207155/305-300	6" PRO concrete trench drain H12.0"-11.8"	12.0	305	11.8	300	180.2
3	04207155/300-295	6" PRO concrete trench drain H11.8"-11.6"	11.8	300	11.6	295	178.7
4	04207155/295-290	6" PRO concrete trench drain H11.6"-11.4"	11.6	295	11.4	290	177.2
5	04207155/290-285	6" PRO concrete trench drain H11.4"-11.2"	11.4	290	11.2	285	175.7
6	04207155/285-280	6" PRO concrete trench drain H11.2"-11.0"	11.2	285	11.0	280	174.2
7	04207155/280-275	6" PRO concrete trench drain H11.0"-10.8"	11.0	280	10.8	275	172.6
8	04207155/275-270	6" PRO concrete trench drain H10.8"-10.6"	10.8	275	10.6	270	171.1
9	04207155/270-265	6" PRO concrete trench drain H10.6"-10.4"	10.6	270	10.4	265	169.6
10	04207155/265-260	6" PRO concrete trench drain H10.4"-10.2"	10.4	265	10.2	260	168.1
11	04207155/260-255	6" PRO concrete trench drain H10.2"-10.0"	10.2	260	10.0	255	166.5
12	04207155/255-250	6" PRO concrete trench drain H10.0"-9.8"	10.0	255	9.8	250	164.9
13	04207155/250-245	6" PRO concrete trench drain H9.8"-9.6"	9.8	250	9.6	245	163.4
14	04207155/245-240	6" PRO concrete trench drain H9.6"-9.4"	9.6	245	9.4	240	161.8
15	04207155/240-235	6" PRO concrete trench drain H9.4"-9.3"	9.4	240	9.3	235	160.3
16	04207155/235-230	6" PRO concrete trench drain H9.3"-9.1"	9.3	235	9.1	230	158.8
17	04207155/230-225	6" PRO concrete trench drain H9.1"-8.9"	9.1	230	8.9	225	157.2
18	04207155/225-220	6" PRO concrete trench drain H8.9"-8.7"	8.9	225	8.7	220	155.7
19	04207155/220-215	6" PRO concrete trench drain H8.7"-8.5"	8.7	220	8.5	215	154.1
20	04207155/215-210	6" PRO concrete trench drain H8.5"-8.3"	8.5	215	8.3	210	152.6
21	04207155/210-205	6" PRO concrete trench drain H8.3"-8.1"	8.3	210	8.1	205	151.0
22	04207155/205-200	6" PRO concrete trench drain H8.1"-7.9"	8.1	205	7.9	200	149.5
23	04207155/200-195	6" PRO concrete trench drain H7.9"-7.7"	7.9	200	7.7	195	148.0
24	04207155/195-190	6" PRO concrete trench drain H7.7"-7.5"	7.7	195	7.5	190	146.4
25	04207155/190-185	6" PRO concrete trench drain H7.5"-7.3"	7.5	190	7.3	185	144.9
26	04207155/185-180	6" PRO concrete trench drain H7.3"-7.1"	7.3	185	7.1	180	143.3
27	04207155/180-175	6" PRO concrete trench drain H7.1"-6.9"	7.1	180	6.9	175	141.8
28	04207155/175-170	6" PRO concrete trench drain H6.9"-6.7"	6.9	175	6.7	170	140.2
29	04207155/170-165	6" PRO concrete trench drain H6.7"-6.5"	6.7	170	6.5	165	138.7
30	04207155/165-160	6" PRO concrete trench drain H6.5"-6.3"	6.5	165	6.3	160	137.1
31	04207155/160-155	6" PRO concrete trench drain H6.3"-6.1"	6.3	160	6.1	155	135.6
32	04207155/155-150	6" PRO concrete trench drain H6.1"-5.9"	6.1	155	5.9	150	134.1

	Article	Name	Height, H		Height, h		Weight lbs
			in	mm	in	mm	
1	04207155/310-300	6" PRO concrete trench drain H12.0"-11.8"	12.2	310	11.8	300	181.8
2	04207155/300-290	6" PRO concrete trench drain H11.8"-11.4"	11.8	300	11.4	290	178.7
3	04207155/290-280	6" PRO concrete trench drain H11.4"-11.0"	11.4	290	11.0	280	175.7
4	04207155/280-270	6" PRO concrete trench drain H11.0"-10.6"	11.0	280	10.6	270	172.6
5	04207155/270-260	6" PRO concrete trench drain H10.6"-10.2"	10.6	270	10.2	260	169.6
6	04207155/260-250	6" PRO concrete trench drain H10.2"-9.8"	10.2	260	9.8	250	166.5
7	04207155/250-240	6" PRO concrete trench drain H9.8"-9.4"	9.8	250	9.4	240	163.4
8	04207155/240-230	6" PRO concrete trench drain H9.4"-9.1"	9.4	240	9.1	230	160.3
9	04207155/230-220	6" PRO concrete trench drain H9.1"-8.7"	9.1	230	8.7	220	157.2
10	04207155/220-210	6" PRO concrete trench drain H8.7"-8.3"	8.7	220	8.3	210	154.1
11	04207155/210-200	6" PRO concrete trench drain H8.3"-7.9"	8.3	210	7.9	200	151.0
12	04207155/200-190	6" PRO concrete trench drain H7.9"-7.5"	7.9	200	7.5	190	148.0
13	04207155/190-180	6" PRO concrete trench drain H7.5"-7.1"	7.5	190	7.1	180	144.9
14	04207155/180-170	6" PRO concrete trench drain H7.1"-6.7"	7.1	180	6.7	170	141.8
15	04207155/170-160	6" PRO concrete trench drain H6.7"-6.3"	6.7	170	6.3	160	138.7
16	04207155/160-150	6" PRO concrete trench drain H6.3"-5.9"	6.3	160	5.9	150	135.6

PRO 200FC system

8" PRO concrete trench drain D400



CASCADED SLOPE



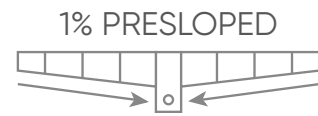
Channels can be produced with vertical outlet

	Article	Name	Height		Weight lbs
			in	mm	
1	045071334/360	8" PRO concrete trench drain H14.2"	14.2	360	242.9
2	045071334/355	8" PRO concrete trench drain H14.0"	14.0	355	241.2
3	045071334/350	8" PRO concrete trench drain H13.8"	13.8	350	239.6
4	045071334/345	8" PRO concrete trench drain H13.6"	13.6	345	237.9
5	045071334/340	8" PRO concrete trench drain H13.4"	13.4	340	236.3
6	045071334/335	8" PRO concrete trench drain H13.2"	13.2	335	234.6
7	045071334/330	8" PRO concrete trench drain H13.0"	13.0	330	233.0
8	045071334/325	8" PRO concrete trench drain H12.8"	12.8	325	231.3
9	045071334/320	8" PRO concrete trench drain H12.6"	12.6	320	229.7
10	045071334/315	8" PRO concrete trench drain H12.4"	12.4	315	228.0
11	045071334/310	8" PRO concrete trench drain H12.2"	12.2	310	226.3
12	045071334/305	8" PRO concrete trench drain H12.0"	12.0	305	224.7
13	045071334/300	8" PRO concrete trench drain H11.8"	11.8	300	223.0
14	045071334/295	8" PRO concrete trench drain H11.6"	11.6	295	221.4
15	045071334/290	8" PRO concrete trench drain H11.4"	11.4	290	219.7
16	045071334/285	8" PRO concrete trench drain H11.2"	11.2	285	218.1
17	045071334/280	8" PRO concrete trench drain H11.0"	11.0	280	216.4
18	045071334/275	8" PRO concrete trench drain H10.8"	10.8	275	214.8
19	045071334/270	8" PRO concrete trench drain H10.6"	10.6	270	213.1
20	045071334/265	8" PRO concrete trench drain H10.4"	10.4	265	211.5
21	045071334/260	8" PRO concrete trench drain H10.2"	10.2	260	209.8
22	045071334/255	8" PRO concrete trench drain H10.0"	10.0	255	208.2
23	045071334/250	8" PRO concrete trench drain H9.8"	9.8	250	206.5
24	045071334/245	8" PRO concrete trench drain H9.6"	9.6	245	204.9
25	045071334/240	8" PRO concrete trench drain H9.4"	9.4	240	203.2
26	045071334/235	8" PRO concrete trench drain H9.3"	9.3	235	201.5
27	045071334/230	8" PRO concrete trench drain H9.1"	9.1	230	199.9
28	045071334/225	8" PRO concrete trench drain H8.9"	8.9	225	198.2
29	045071334/220	8" PRO concrete trench drain H8.7"	8.7	220	196.6
30	045071334/215	8" PRO concrete trench drain H8.5"	8.5	215	194.9
31	045071334/210	8" PRO concrete trench drain H8.3"	8.3	210	193.3
32	045071334/205	8" PRO concrete trench drain H8.1"	8.1	205	191.6
33	045071334/200	8" PRO concrete trench drain H7.9"	7.9	200	190.0

1	045871334-P200-K	8" PRO concrete inline catch basin w/ basket	23.6	600	231.5
---	------------------	--	------	-----	-------



Channels can be produced with vertical outlet



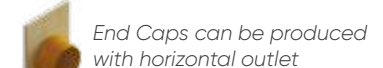
Channels can be produced with vertical outlet

	Article	Name	Height, H		Height, h		Weight lbs
			in	mm	in	mm	
1	045071334/360-355	8" PRO concrete trench drain H14.2"-14.0"	14.2	360	14.0	355	244.6
2	045071334/355-350	8" PRO concrete trench drain H14.0"-13.8"	14.0	355	13.8	350	243.0
3	045071334/350-345	8" PRO concrete trench drain H13.8"-13.6"	13.8	350	13.6	345	241.3
4	045071334/345-340	8" PRO concrete trench drain H13.6"-13.4"	13.6	345	13.4	340	239.7
5	045071334/340-335	8" PRO concrete trench drain H13.4"-13.2"	13.4	340	13.2	335	238.1
6	045071334/335-330	8" PRO concrete trench drain H13.2"-13.0"	13.2	335	13.0	330	236.4
7	045071334/330-325	8" PRO concrete trench drain H13.0"-12.8"	13.0	330	12.8	325	234.8
8	045071334/325-320	8" PRO concrete trench drain H12.8"-12.6"	12.8	325	12.6	320	233.2
9	045071334/320-315	8" PRO concrete trench drain H12.6"-12.4"	12.6	320	12.4	315	231.6
10	045071334/315-310	8" PRO concrete trench drain H12.4"-12.2"	12.4	315	12.2	310	229.9
11	045071334/310-305	8" PRO concrete trench drain H12.2"-12.0"	12.2	310	12.0	305	228.3
12	045071334/305-300	8" PRO concrete trench drain H12.0"-11.8"	12.0	305	11.8	300	226.7
13	045071334/300-295	8" PRO concrete trench drain H11.8"-11.6"	11.8	300	11.6	295	225.0
14	045071334/295-290	8" PRO concrete trench drain H11.6"-11.4"	11.6	295	11.4	290	223.4
15	045071334/290-285	8" PRO concrete trench drain H11.4"-11.2"	11.4	290	11.2	285	221.8
16	045071334/285-280	8" PRO concrete trench drain H11.2"-11.0"	11.2	285	11.0	280	220.1
17	045071334/280-275	8" PRO concrete trench drain H11.0"-10.8"	11.0	280	10.8	275	218.5
18	045071334/275-270	8" PRO concrete trench drain H10.8"-10.6"	10.8	275	10.6	270	216.9
19	045071334/270-265	8" PRO concrete trench drain H10.6"-10.4"	10.6	270	10.4	265	215.2
20	045071334/265-260	8" PRO concrete trench drain H10.4"-10.2"	10.4	265	10.2	260	213.6
21	045071334/260-255	8" PRO concrete trench drain H10.2"-10.0"	10.2	260	10.0	255	212.0
22	045071334/255-250	8" PRO concrete trench drain H10.0"-9.8"	10.0	255	9.8	250	210.3
23	045071334/250-245	8" PRO concrete trench drain H9.8"-9.6"	9.8	250	9.6	245	208.7
24	045071334/245-240	8" PRO concrete trench drain H9.6"-9.4"	9.6	245	9.4	240	207.1
25	045071334/240-235	8" PRO concrete trench drain H9.4"-9.3"	9.4	240	9.3	235	205.4
26	045071334/235-230	8" PRO concrete trench drain H9.3"-9.1"	9.3	235	9.1	230	203.8
27	045071334/230-225	8" PRO concrete trench drain H9.1"-8.9"	9.1	230	8.9	225	202.2
28	045071334/225-220	8" PRO concrete trench drain H8.9"-8.7"	8.9	225	8.7	220	200.6
29	045071334/220-215	8" PRO concrete trench drain H8.7"-8.5"	8.7	220	8.5	215	198.9
30	045071334/215-210	8" PRO concrete trench drain H8.5"-8.3"	8.5	215	8.3	210	197.3
31	045071334/210-205	8" PRO concrete trench drain H8.3"-8.1"	8.3	210	8.1	205	195.7
32	045071334/205-200	8" PRO concrete trench drain H8.1"-7.9"	8.1	205	7.9	200	194.0

	Article	Name	Height, H		Height, h		Weight lbs
			in	mm	in	mm	
1	045071334/360-350	8" PRO concrete trench drain H14.2"-13.8"	14.2	360	13.8	350	244.6
2	045071334/350-340	8" PRO concrete trench drain H13.8"-13.4"	13.8	350	13.4	340	241.3
3	045071334/340-330	8" PRO concrete trench drain H13.4"-13.0"	13.4	340	13.0	330	238.1
4	045071334/330-320	8" PRO concrete trench drain H13.0"-12.6"	13.0	330	12.6	320	234.8
5	045071334/320-310	8" PRO concrete trench drain H12.6"-12.2"	12.6	320	12.2	310	231.6
6	045071334/310-300	8" PRO concrete trench drain H12.2"-11.8"	12.2	310	11.8	300	228.3
7	045071334/300-290	8" PRO concrete trench drain H11.8"-11.4"	11.8	300	11.4	290	225.0
8	045071334/290-280	8" PRO concrete trench drain H11.4"-11.0"	11.4	290	11.0	280	221.8
9	045071334/280-270	8" PRO concrete trench drain H11.0"-10.6"	11.0	280	10.6	270	218.5
10	045071334/270-260	8" PRO concrete trench drain H10.6"-10.2"	10.6	270	10.2	260	215.2
11	045071334/260-250	8" PRO concrete trench drain H10.2"-9.8"	10.2	260	9.8	250	212.0
12	045071334/250-240	8" PRO concrete trench drain H9.8"-9.4"	9.8	250	9.4	240	208.7
13	045071334/240-230	8" PRO concrete trench drain H9.4"-9.1"	9.4	240	9.1	230	205.4
14	045071334/230-220	8" PRO concrete trench drain H9.1"-8.7"	9.1	230	8.7	220	202.2
15	045071334/220-210	8" PRO concrete trench drain H8.7"-8.3"	8.7	220	8.3	210	198.9
16	045071334/210-200	8" PRO concrete trench drain H8.3"-7.9"	8.3	210	7.9	200	195.7



8" End Cap



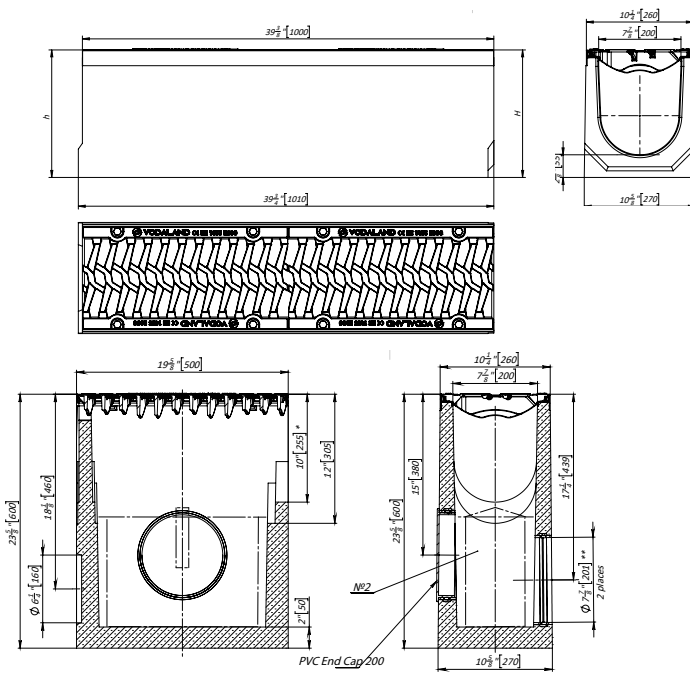
End Caps can be produced with horizontal outlet

Article	End Cap Name	For Channel Height, in
1	6751-BD/360	8" PRO concrete end cap H14.2"
2	6751-BD/355	8" PRO concrete end cap H14.0"
3	6751-BD/350	8" PRO concrete end cap H13.8"
4	6751-BD/345	8" PRO concrete end cap H13.6"
5	6751-BD/340	8" PRO concrete end cap H13.4"
6	6751-BD/335	8" PRO concrete end cap H13.2"
7	6751-BD/330	8" PRO concrete end cap H13.0"
8	6751-BD/325	8" PRO concrete end cap H12.8"
9	6751-BD/320	8" PRO concrete end cap H12.6"
10	6751-BD/315	8" PRO concrete end cap H12.4"
11	6751-BD/310	8" PRO concrete end cap H12.2"
12	6751-BD/305	8" PRO concrete end cap H12.0"
13	6751-BD/300	8" PRO concrete end cap H11.8"
14	6751-BD/295	8" PRO concrete end cap H11.6"
15	6751-BD/290	8" PRO concrete end cap H11.4"
16	6751-BD/285	8" PRO concrete end cap H11.2"
17	6751-BD/280	8" PRO concrete end cap H11.0"

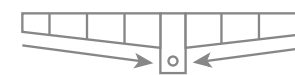
Article	End Cap Name	For Channel Height, in
18	6751-BD/275	8" PRO concrete end cap H10.8"
19	6751-BD/270	8" PRO concrete end cap H10.6"
20	6751-BD/265	8" PRO concrete end cap H10.4"
21	6751-BD/260	8" PRO concrete end cap H10.2"
22	6751-BD/255	8" PRO concrete end cap H10.0"
23	6751-BD/250	8" PRO concrete end cap H9.8"
24	6751-BD/245	8" PRO concrete end cap H9.6"
25	6751-BD/240	8" PRO concrete end cap H9.4"
26	6751-BD/235	8" PRO concrete end cap H9.3"
27	6751-BD/230	8" PRO concrete end cap H9.1"
28	6751-BD/225	8" PRO concrete end cap H8.9"
29	6751-BD/220	8" PRO concrete end cap H8.7"
30	6751-BD/215	8" PRO concrete end cap H8.5"
31	6751-BD/210	8" PRO concrete end cap H8.3"
32	6751-BD/205	8" PRO concrete end cap H8.1"
33	6751-BD/200	8" PRO concrete end cap H7.9"



8" PRO concrete trench drain E600

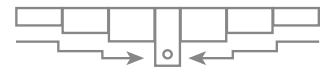


0.5% PRESLOPED



Channels can be produced with vertical outlet

CASCADED SLOPE

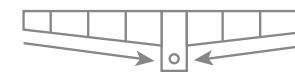


Channels can be produced with vertical outlet

Article	Name	Height		Weight	
		in	mm		
1	04507155/360	8" PRO concrete trench drain H14.2"	14.2	360	246.6
2	04507155/355	8" PRO concrete trench drain H14.0"	14.0	355	245.0
3	04507155/350	8" PRO concrete trench drain H13.8"	13.8	350	243.3
4	04507155/345	8" PRO concrete trench drain H13.6"	13.6	345	241.7
5	04507155/340	8" PRO concrete trench drain H13.4"	13.4	340	240.0
6	04507155/335	8" PRO concrete trench drain H13.2"	13.2	335	238.4
7	04507155/330	8" PRO concrete trench drain H13.0"	13.0	330	236.7
8	04507155/325	8" PRO concrete trench drain H12.8"	12.8	325	235.1
9	04507155/320	8" PRO concrete trench drain H12.6"	12.6	320	233.4
10	04507155/315	8" PRO concrete trench drain H12.4"	12.4	315	231.7
11	04507155/310	8" PRO concrete trench drain H12.2"	12.2	310	230.1
12	04507155/305	8" PRO concrete trench drain H12.0"	12.0	305	228.4
13	04507155/300	8" PRO concrete trench drain H11.8"	11.8	300	226.8
14	04507155/295	8" PRO concrete trench drain H11.6"	11.6	295	225.1
15	04507155/290	8" PRO concrete trench drain H11.4"	11.4	290	223.5
16	04507155/285	8" PRO concrete trench drain H11.2"	11.2	285	221.8
17	04507155/280	8" PRO concrete trench drain H11.0"	11.0	280	220.2
18	04507155/275	8" PRO concrete trench drain H10.8"	10.8	275	218.5
19	04507155/270	8" PRO concrete trench drain H10.6"	10.6	270	216.9
20	04507155/265	8" PRO concrete trench drain H10.4"	10.4	265	215.2
21	04507155/260	8" PRO concrete trench drain H10.2"	10.2	260	213.6
22	04507155/255	8" PRO concrete trench drain H10.0"	10.0	255	211.9
23	04507155/250	8" PRO concrete trench drain H9.8"	9.8	250	210.3
24	04507155/245	8" PRO concrete trench drain H9.6"	9.6	245	208.6
25	04507155/240	8" PRO concrete trench drain H9.4"	9.4	240	206.9
26	04507155/235	8" PRO concrete trench drain H9.3"	9.3	235	205.3
27	04507155/230	8" PRO concrete trench drain H9.1"	9.1	230	203.6
28	04507155/225	8" PRO concrete trench drain H8.9"	8.9	225	202.0
29	04507155/220	8" PRO concrete trench drain H8.7"	8.7	220	200.3
30	04507155/215	8" PRO concrete trench drain H8.5"	8.5	215	198.7
31	04507155/210	8" PRO concrete trench drain H8.3"	8.3	210	197.0
32	04507155/205	8" PRO concrete trench drain H8.1"	8.1	205	195.4
33	04507155/200	8" PRO concrete trench drain H7.9"	7.9	200	193.7
1	04587155-P200-K	8" PRO concrete inline catch basin w/ basket	23.6	600	231.5

Article	Name	Height, H		Height, h		Weight	
		in	mm	in	mm		
1	04507155/360-355	8" PRO concrete trench drain H14.2"-14.0"	14.2	360	14.0	355	248.6
2	04507155/355-350	8" PRO concrete trench drain H14.0"-13.8"	14.0	355	13.8	350	246.7
3	04507155/350-345	8" PRO concrete trench drain H13.8"-13.6"	13.8	350	13.6	345	244.8
4	04507155/345-340	8" PRO concrete trench drain H13.6"-13.4"	13.6	345	13.4	340	242.9
5	04507155/340-335	8" PRO concrete trench drain H13.4"-13.2"	13.4	340	13.2	335	241.1
6	04507155/335-330	8" PRO concrete trench drain H13.2"-13.0"	13.2	335	13.0	330	239.2
7	04507155/330-325	8" PRO concrete trench drain H13.0"-12.8"	13.0	330	12.8	325	237.3
8	04507155/325-320	8" PRO concrete trench drain H12.8"-12.6"	12.8	325	12.6	320	235.5
9	04507155/320-315	8" PRO concrete trench drain H12.6"-12.4"	12.6	320	12.4	315	233.6
10	04507155/315-310	8" PRO concrete trench drain H12.4"-12.2"	12.4	315	12.2	310	231.7
11	04507155/310-305	8" PRO concrete trench drain H12.2"-12.0"	12.2	310	12.0	305	229.8
12	04507155/305-300	8" PRO concrete trench drain H12.0"-11.8"	12.0	305	11.8	300	228.0
13	04507155/300-295	8" PRO concrete trench drain H11.8"-11.6"	11.8	300	11.6	295	226.1
14	04507155/295-290	8" PRO concrete trench drain H11.6"-11.4"	11.6	295	11.4	290	224.2
15	04507155/290-285	8" PRO concrete trench drain H11.4"-11.2"	11.4	290	11.2	285	222.3
16	04507155/285-280	8" PRO concrete trench drain H11.2"-11.0"	11.2	285	11.0	280	220.5
17	04507155/280-275	8" PRO concrete trench drain H11.0"-10.8"	11.0	280	10.8	275	218.6
18	04507155/275-270	8" PRO concrete trench drain H10.8"-10.6"	10.8	275	10.6	270	216.7
19	04507155/270-265	8" PRO concrete trench drain H10.6"-10.4"	10.6	270	10.4	265	214.8
20	04507155/265-260	8" PRO concrete trench drain H10.4"-10.2"	10.4	265	10.2	260	213.0
21	04507155/260-255	8" PRO concrete trench drain H10.2"-10.0"	10.2	260	10.0	255	211.1
22	04507155/255-250	8" PRO concrete trench drain H10.0"-9.8"	10.0	255	9.8	250	209.2
23	04507155/250-245	8" PRO concrete trench drain H9.8"-9.6"	9.8	250	9.6	245	207.3
24	04507155/245-240	8" PRO concrete trench drain H9.6"-9.4"	9.6	245	9.4	240	205.5
25	04507155/240-235	8" PRO concrete trench drain H9.4"-9.3"	9.4	240	9.3	235	203.6
26	04507155/235-230	8" PRO concrete trench drain H9.3"-9.1"	9.3	235	9.1	230	201.7
27	04507155/230-225	8" PRO concrete trench drain H9.1"-8.9"	9.1	230	8.9	225	199.8
28	04507155/225-220	8" PRO concrete trench drain H8.9"-8.7"	8.9	225	8.7	220	198.0
29	04507155/220-215	8" PRO concrete trench drain H8.7"-8.5"	8.7	220	8.5	215	196.1
30	04507155/215-210	8" PRO concrete trench drain H8.5"-8.3"	8.5	215	8.3	210	194.2
31	04507155/210-205	8" PRO concrete trench drain H8.3"-8.1"	8.3	210	8.1	205	192.4
32	04507155/205-200	8" PRO concrete trench drain H8.1"-7.9"	8.1	205	7.9	200	190.5

1% PRESLOPED

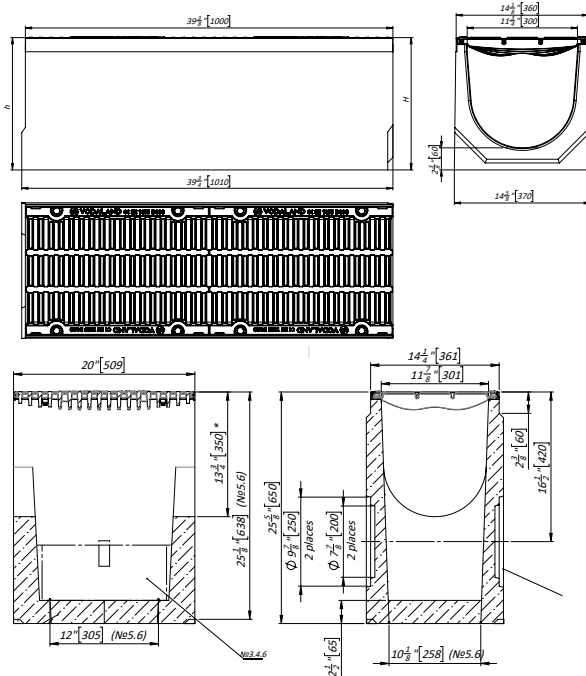


Channels can be produced with vertical outlet

Article	Name	Height, H		Height, h		Weight	
		in	mm	in	mm		
1	04507155/360-350	8" PRO concrete trench drain H14.2"-13.8"	14.2	360	13.8	350	248.6
2	04507155/350-340	8" PRO concrete trench drain H13.8"-13.4"	13.8	350	13.4	340	244.8
3	04507155/340-330	8" PRO concrete trench drain H13.4"-13.0"	13.4	340	13.0	330	241.1
4	04507155/330-320	8" PRO concrete trench drain H13.0"-12.6"	13.0	330	12.6	320	237.3
5	04507155/320-310	8" PRO concrete trench drain H12.6"-12.2"	12.6	320	12.2	310	233.6
6	04507155/310-300	8" PRO concrete trench drain H12.2"-11.8"	12.2	310	11.8	300	229.8
7	04507155/300-290	8" PRO concrete trench drain H11.8"-11.4"	11.8	300	11.4	290	226.1
8	04507155/290-280	8" PRO concrete trench drain H11.4"-11.0"	11.4	290	11.0	280	222.3
9	04507155/280-270	8" PRO concrete trench drain H11.0"-10.6"	11.0	280	10.6	270	218.6
10	04507155/270-260	8" PRO concrete trench drain H10.6"-10.2"	10.6	270	10.2	260	214.8
11	04507155/260-250	8" PRO concrete trench drain H10.2"-9.8"	10.2	260	9.8	250	211.1
12	04507155/250-240	8" PRO concrete trench drain H9.8"-9.4"	9.8	250	9.4	240	207.3
13	04507155/240-230	8" PRO concrete trench drain H9.4"-9.1"	9.4	240	9.1	230	203.6
14	04507155/230-220	8" PRO concrete trench drain H9.1"-8.7"	9.1	230	8.7	220	199.8
15	04507155/220-210	8" PRO concrete trench drain H8.7"-8.3"	8.7	220	8.3	210	196.1
16	04507155/210-200	8" PRO concrete trench drain H8.3"-7.9"	8.3	210	7.9	200	192.4

PRO 300FC system

12" PRO concrete trench drain D400



CASCADED SLOPE



Channels can be produced with vertical outlet

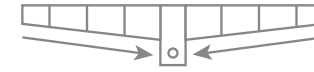


Inline Basins are available in three tiers stacked sections if needed per specifications.

Article	Name	Height		Weight
		in	mm	
1	047071334/410	12"	305	(N5.0)
2	047071334/405	11.9"	302	(N5.0)
3	047071334/400	11.7"	297	(N5.0)
4	047071334/395	11.6"	293	(N5.0)
5	047071334/390	11.4"	290	(N5.0)
6	047071334/385	11.2"	285	(N5.0)
7	047071334/380	11.0"	280	(N5.0)
8	047071334/375	10.8"	275	(N5.0)
9	047071334/370	10.6"	270	(N5.0)
10	047071334/365	10.4"	265	(N5.0)
11	047071334/360	10.2"	260	(N5.0)
12	047071334/355	10.0"	255	(N5.0)
13	047071334/350	9.8"	250	(N5.0)
14	047071334/345	9.6"	245	(N5.0)
15	047071334/340	9.4"	240	(N5.0)
16	047071334/335	9.2"	235	(N5.0)
17	047071334/330	9.0"	230	(N5.0)
18	047071334/325	8.8"	225	(N5.0)
19	047071334/320	8.6"	220	(N5.0)
20	047071334/315	8.4"	215	(N5.0)
21	047071334/310	8.2"	210	(N5.0)
22	047071334/305	8.0"	205	(N5.0)
23	047071334/300	7.8"	200	(N5.0)
24	047071334/295	7.6"	195	(N5.0)
25	047071334/290	7.4"	190	(N5.0)
26	047071334/285	7.2"	185	(N5.0)
27	047071334/280	7.0"	180	(N5.0)
28	047071334/275	6.8"	175	(N5.0)
29	047071334/270	6.6"	170	(N5.0)
30	047071334/265	6.4"	165	(N5.0)
31	047071334/260	6.2"	160	(N5.0)

1	047871334-K	12" PRO concrete inline catch basin w/ basket	650
---	-------------	---	-----

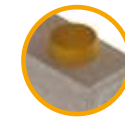
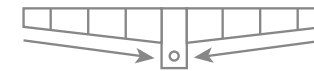
0.5% PRESLOPED



Channels can be produced with vertical outlet

Article	Name	Height, H		Height, h		Weight
		in	mm	in	mm	
1	047071334/410-405	12"	305	15.9"	405	370.2
2	047071334/405-400	11.9"	302	15.7"	400	368.6
3	047071334/400-395	11.7"	297	15.6"	395	367.0
4	047071334/395-390	11.6"	293	15.4"	390	365.5
5	047071334/390-385	11.4"	290	15.2"	385	363.9
6	047071334/385-380	11.2"	285	15.0"	380	362.4
7	047071334/380-375	11.0"	280	14.8"	375	360.8
8	047071334/375-370	10.8"	275	14.6"	370	359.2
9	047071334/370-365	10.6"	270	14.4"	365	357.7
10	047071334/365-360	10.4"	265	14.2"	360	356.1
11	047071334/360-355	10.2"	260	14.0"	355	354.5
12	047071334/355-350	10.0"	255	13.8"	350	353.0
13	047071334/350-345	9.8"	250	13.6"	345	351.4
14	047071334/345-340	9.6"	245	13.4"	340	349.8
15	047071334/340-335	9.4"	240	13.2"	335	348.3
16	047071334/335-330	9.2"	235	13.0"	330	346.7
17	047071334/330-325	9.0"	230	12.8"	325	345.1
18	047071334/325-320	8.8"	225	12.6"	320	343.6
19	047071334/320-315	8.6"	220	12.4"	315	342.0
20	047071334/315-310	8.4"	215	12.2"	310	340.4
21	047071334/310-305	8.2"	210	12.0"	305	338.9
22	047071334/305-300	8.0"	205	11.8"	300	337.3
23	047071334/300-295	7.8"	200	11.6"	295	335.7
24	047071334/295-290	7.6"	195	11.4"	290	334.2
25	047071334/290-285	7.4"	190	11.2"	285	332.6
26	047071334/285-280	7.2"	185	11.0"	280	331.0
27	047071334/280-275	7.0"	180	10.8"	275	329.5
28	047071334/275-270	6.8"	175	10.6"	270	327.9
29	047071334/270-265	6.6"	170	10.4"	265	326.3
30	047071334/265-260	6.4"	165	10.2"	260	324.8

1% PRESLOPED



Channels can be produced with vertical outlet

Article	Name	Height, H		Height, h		Weight
		in	mm	in	mm	
1	047071334/410-400	12"	305	15.7"	400	370.2
2	047071334/400-390	11.7"	297	15.4"	390	367.0
3	047071334/390-380	11.4"	290	15.0"	380	363.9
4	047071334/380-370	11.0"	280	14.6"	370	360.8
5	047071334/370-360	10.6"	270	14.2"	360	357.7
6	047071334/360-350	10.2"	260	13.8"	350	354.5
7	047071334/350-340	9.8"	250	13.4"	340	351.4
8	047071334/340-330	9.4"	240	13.0"	330	348.3
9	047071334/330-320	9.0"	230	12.6"	320	345.1
10	047071334/320-310	8.6"	220	12.2"	310	342.0
11	047071334/310-300	8.2"	210	11.8"	300	338.9
12	047071334/300-290	7.8"	200	11.4"	290	335.7
13	047071334/290-280	7.4"	190	11.0"	280	332.6
14	047071334/280-270	7.0"	180	10.6"	270	329.5
15	047071334/270-260	6.6"	170	10.2"	260	326.3

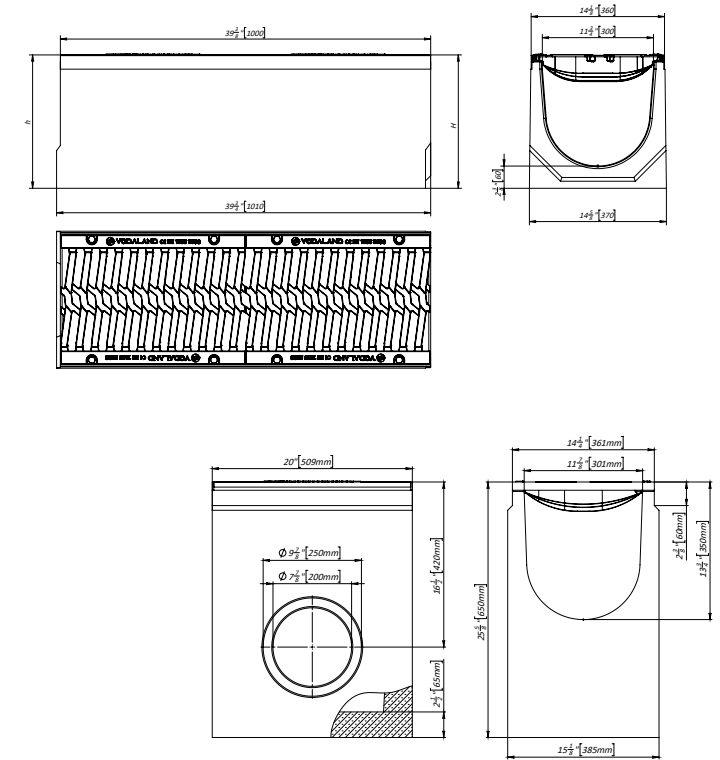
12" End Cap

Article	End Cap Name	For Channel Height, in
1	6771-BD/410	12" PRO concrete end cap H16.1"
2	6771-BD/405	12" PRO concrete end cap H15.9"
3	6771-BD/400	12" PRO concrete end cap H15.7"
4	6771-BD/395	12" PRO concrete end cap H15.6"
5	6771-BD/390	12" PRO concrete end cap H15.4"
6	6771-BD/385	12" PRO concrete end cap H15.2"
7	6771-BD/380	12" PRO concrete end cap H15.0"
8	6771-BD/375	12" PRO concrete end cap H14.8"
9	6771-BD/370	12" PRO concrete end cap H14.6"
10	6771-BD/365	12" PRO concrete end cap H14.4"
11	6771-BD/360	12" PRO concrete end cap H14.2"
12	6771-BD/355	12" PRO concrete end cap H14.0"
13	6771-BD/350	12" PRO concrete end cap H13.8"
14	6771-BD/345	12" PRO concrete end cap H13.6"
15	6771-BD/340	12" PRO concrete end cap H13.4"
16	6771-BD/335	12" PRO concrete end cap H13.2"

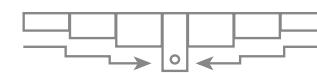
End Caps can be produced with horizontal outlet

Article	End Cap Name	For Channel Height, in
17	6771-BD/330	12" PRO concrete end cap H13.0"
18	6771-BD/325	12" PRO concrete end cap H12.8"
19	6771-BD/320	12" PRO concrete end cap H12.6"
20	6771-BD/315	12" PRO concrete end cap H12.4"
21	6771-BD/310	12" PRO concrete end cap H12.2"
22	6771-BD/305	12" PRO concrete end cap H12.0"
23	6771-BD/300	12" PRO concrete end cap H11.8"
24	6771-BD/295	12" PRO concrete end cap H11.6"
25	6771-BD/290	12" PRO concrete end cap H11.4"
26	6771-BD/285	12" PRO concrete end cap H11.2"
27	6771-BD/280	12" PRO concrete end cap H11.0"
28	6771-BD/275	12" PRO concrete end cap H10.8"
29	6771-BD/270	12" PRO concrete end cap H10.6"
30	6771-BD/265	12" PRO concrete end cap H10.4"
31	6771-BD/260	12" PRO concrete end cap H10.2"

12" PRO concrete trench drain E600



CASCADED SLOPE



Channels can be produced with vertical outlet



Inline Basins are available in three tiers stacked sections if needed per specifications.

Article	Name	Height		Weight lbs	
		in	mm		
1	04707155/410	12" PRO concrete trench drain H16.1"	16.1	410	371.0
2	04707155/405	12" PRO concrete trench drain H15.9"	15.9	405	369.5
3	04707155/400	12" PRO concrete trench drain H15.7"	15.7	400	367.7
4	04707155/395	12" PRO concrete trench drain H15.6"	15.6	395	366.2
5	04707155/390	12" PRO concrete trench drain H15.4"	15.4	390	364.6
6	04707155/385	12" PRO concrete trench drain H15.2"	15.2	385	363.1
7	04707155/380	12" PRO concrete trench drain H15.0"	15.0	380	361.6
8	04707155/375	12" PRO concrete trench drain H14.8"	14.8	375	359.8
9	04707155/370	12" PRO concrete trench drain H14.6"	14.6	370	358.3
10	04707155/365	12" PRO concrete trench drain H14.4"	14.4	365	356.7
11	04707155/360	12" PRO concrete trench drain H14.2"	14.2	360	355.2
12	04707155/355	12" PRO concrete trench drain H14.0"	14.0	355	353.6
13	04707155/350	12" PRO concrete trench drain H13.8"	13.8	350	351.9
14	04707155/345	12" PRO concrete trench drain H13.6"	13.6	345	350.3
15	04707155/340	12" PRO concrete trench drain H13.4"	13.4	340	348.8
16	04707155/335	12" PRO concrete trench drain H13.2"	13.2	335	347.2
17	04707155/330	12" PRO concrete trench drain H13.0"	13.0	330	345.7
18	04707155/325	12" PRO concrete trench drain H12.8"	12.8	325	343.9
19	04707155/320	12" PRO concrete trench drain H12.6"	12.6	320	342.4
20	04707155/315	12" PRO concrete trench drain H12.4"	12.4	315	340.8
21	04707155/310	12" PRO concrete trench drain H12.2"	12.2	310	339.3
22	04707155/305	12" PRO concrete trench drain H12.0"	12.0	305	337.7
23	04707155/300	12" PRO concrete trench drain H11.8"	11.8	300	336.0
24	04707155/295	12" PRO concrete trench drain H11.6"	11.6	295	334.4
25	04707155/290	12" PRO concrete trench drain H11.4"	11.4	290	332.9
26	04707155/285	12" PRO concrete trench drain H11.2"	11.2	285	331.4
27	04707155/280	12" PRO concrete trench drain H11.0"	11.0	280	329.8
28	04707155/275	12" PRO concrete trench drain H10.8"	10.8	275	328.0
29	04707155/270	12" PRO concrete trench drain H10.6"	10.6	270	326.5
30	04707155/265	12" PRO concrete trench drain H10.4"	10.4	265	325.0
31	04707155/260	12" PRO concrete trench drain H10.2"	10.2	260	323.4

1	04787155-K	12" PRO concrete inline catch basin w/ basket		650	
---	------------	---	--	-----	--



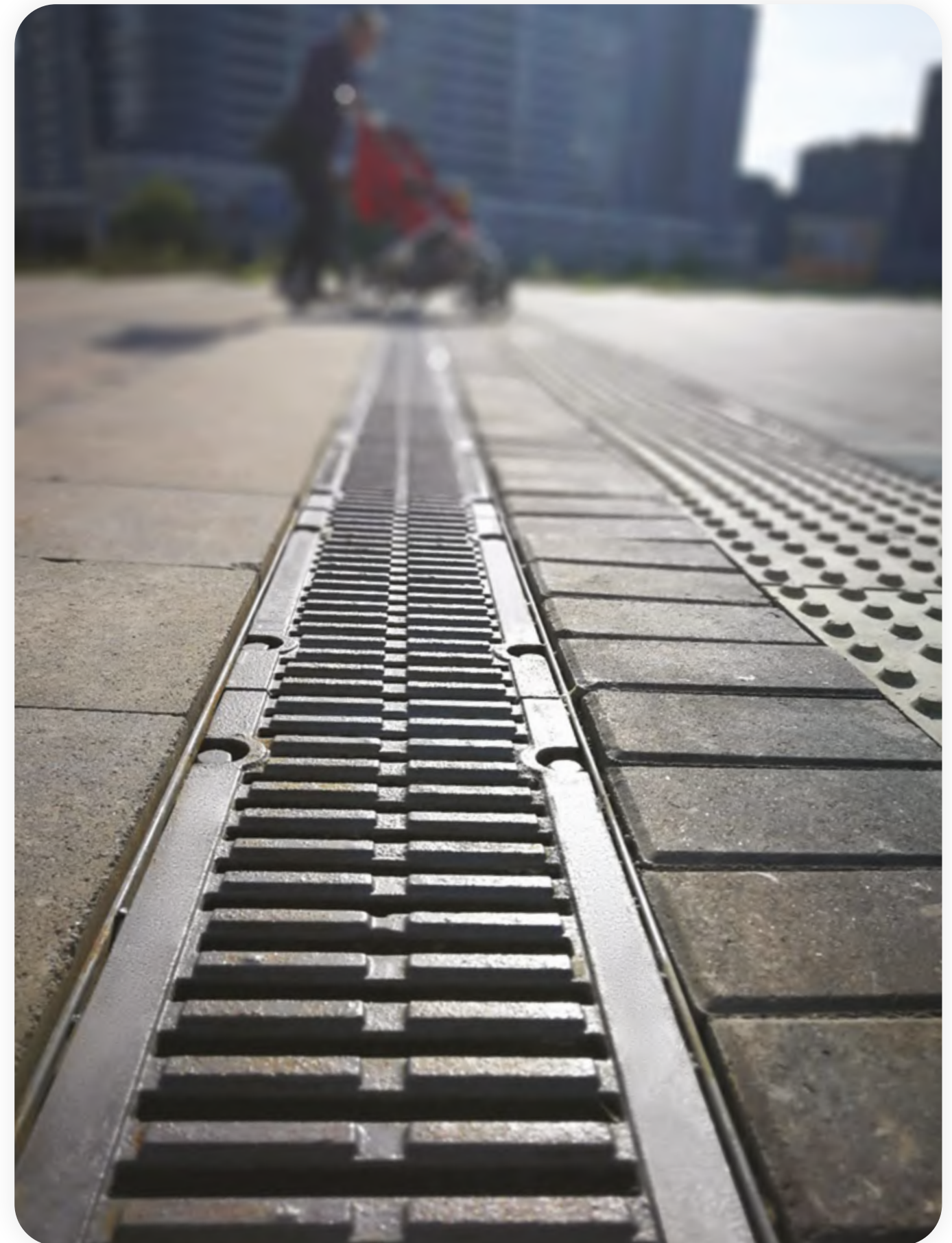
Channels can be produced with vertical outlet

	Article	Name	Height, H		Height, h		Weight lbs
			in	mm	in	mm	
1	04707155/410-405	12" PRO concrete trench drain H16.1"-15.9"	16.1	410	15.9	405	370.2
2	04707155/405-400	12" PRO concrete trench drain H15.9"-15.7"	15.9	405	15.7	400	368.6
3	04707155/400-395	12" PRO concrete trench drain H15.7"-15.6"	15.7	400	15.6	395	367.0
4	04707155/395-390	12" PRO concrete trench drain H15.6"-15.4"	15.6	395	15.4	390	365.5
5	04707155/390-385	12" PRO concrete trench drain H15.4"-15.2"	15.4	390	15.2	385	363.9
6	04707155/385-380	12" PRO concrete trench drain H15.2"-15.0"	15.2	385	15.0	380	362.4
7	04707155/380-375	12" PRO concrete trench drain H15.0"-14.8"	15.0	380	14.8	375	360.8
8	04707155/375-370	12" PRO concrete trench drain H14.8"-14.6"	14.8	375	14.6	370	359.2
9	04707155/370-365	12" PRO concrete trench drain H14.6"-14.4"	14.6	370	14.4	365	357.7
10	04707155/365-360	12" PRO concrete trench drain H14.4"-14.2"	14.4	365	14.2	360	356.1
11	04707155/360-355	12" PRO concrete trench drain H14.2"-14.0"	14.2	360	14.0	355	354.5
12	04707155/355-350	12" PRO concrete trench drain H14.0"-13.8"	14.0	355	13.8	350	353.0
13	04707155/350-345	12" PRO concrete trench drain H13.8"-13.6"	13.8	350	13.6	345	351.4
14	04707155/345-340	12" PRO concrete trench drain H13.6"-13.4"	13.6	345	13.4	340	349.8
15	04707155/340-335	12" PRO concrete trench drain H13.4"-13.2"	13.4	340	13.2	335	348.3
16	04707155/335-330	12" PRO concrete trench drain H13.2"-13.0"	13.2	335	13.0	330	346.7
17	04707155/330-325	12" PRO concrete trench drain H13.0"-12.8"	13.0	330	12.8	325	345.1
18	04707155/325-320	12" PRO concrete trench drain H12.8"-12.6"	12.8	325	12.6	320	343.6
19	04707155/320-315	12" PRO concrete trench drain H12.6"-12.4"	12.6	320	12.4	315	342.0
20	04707155/315-310	12" PRO concrete trench drain H12.4"-12.2"	12.4	315	12.2	310	340.4
21	04707155/310-305	12" PRO concrete trench drain H12.2"-12.0"	12.2	310	12.0	305	338.9
22	04707155/305-300	12" PRO concrete trench drain H12.0"-11.8"	12.0	305	11.8	300	337.3
23	04707155/300-295	12" PRO concrete trench drain H11.8"-11.6"	11.8	300	11.6	295	335.7
24	04707155/295-290	12" PRO concrete trench drain H11.6"-11.4"	11.6	295	11.4	290	334.2
25	04707155/290-285	12" PRO concrete trench drain H11.4"-11.2"	11.4	290	11.2	285	332.6
26	04707155/285-280	12" PRO concrete trench drain H11.2"-11.0"	11.2	285	11.0	280	331.0
27	04707155/280-275	12" PRO concrete trench drain H11.0"-10.8"	11.0	280	10.8	275	329.5
28	04707155/275-270	12" PRO concrete trench drain H10.8"-10.6"	10.8	275	10.6	270	327.9
29	04707155/270-265	12" PRO concrete trench drain H10.6"-10.4"	10.6	270	10.4	265	326.3
30	04707155/265-260	12" PRO concrete trench drain H10.4"-10.2"	10.4	265	10.2	260	324.8



Channels can be produced with vertical outlet

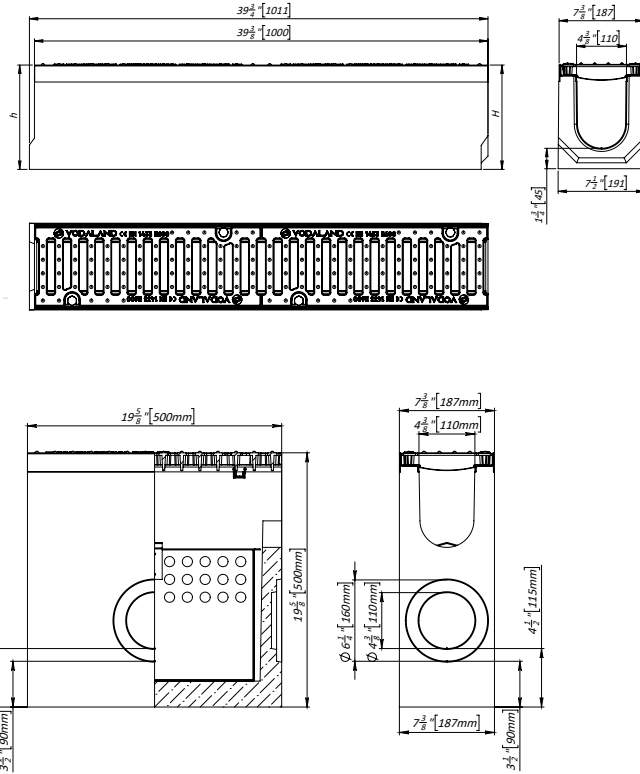
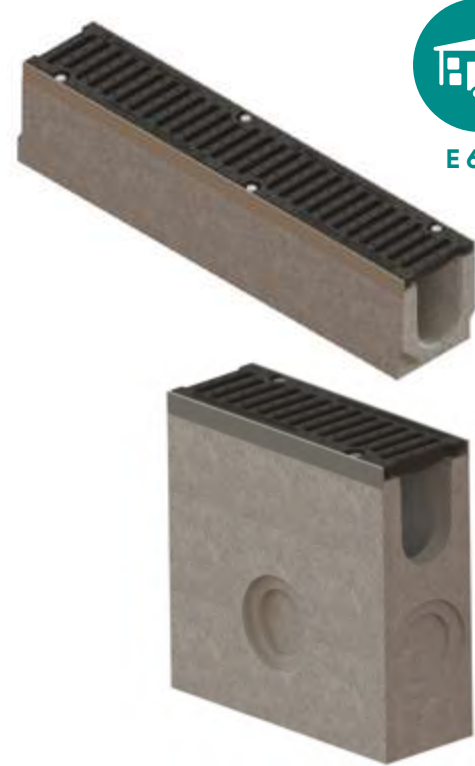
	Article	Name	Height, H		Height, h		Weight lbs
			in	mm	in	mm	
1	04707155/410-400	12" PRO concrete trench drain H16.1"-15.7"	16.1	410	15.7	400	370.2
2	04707155/400-390	12" PRO concrete trench drain H15.7"-15.4"	15.7	400	15.4	390	367.0
3	04707155/390-380	12" PRO concrete trench drain H15.4"-15.0"	15.4	390	15.0	380	363.9
4	04707155/380-370	12" PRO concrete trench drain H15.0"-14.6"	15.0	380	14.6	370	360.8
5	04707155/370-360	12" PRO concrete trench drain H14.6"-14.2"	14.6	370	14.2	360	357.7
6	04707155/360-350	12" PRO concrete trench drain H14.2"-13.8"	14.2	360	13.8	350	354.5
7	04707155/350-340	12" PRO concrete trench drain H13.8"-13.4"	13.8	350	13.4	340	351.4
8	04707155/340-330	12" PRO concrete trench drain H13.4"-13.0"	13.4	340	13.0	330	348.3
9	04707155/330-320	12" PRO concrete trench drain H13.0"-12.6"	13.0	330	12.6	320	345.1
10	04707155/320-310	12" PRO concrete trench drain H12.6"-12.2"	12.6	320	12.2	310	342.0
11	04707155/310-300	12" PRO concrete trench drain H12.2"-11.8"	12.2	310	11.8	300	338.9
12	04707155/300-290	12" PRO concrete trench drain H11.8"-11.4"	11.8	300	11.4	290	335.7
13	04707155/290-280	12" PRO concrete trench drain H11.4"-11.0"	11.4	290	11.0	280	332.6
14	04707155/280-270	12" PRO concrete trench drain H11.0"-10.6"	11.0	280	10.6	270	329.5
15	04707155/270-260	12" PRO concrete trench drain H10.6"-10.2"	10.6	270	10.2	260	326.3



DRAIN

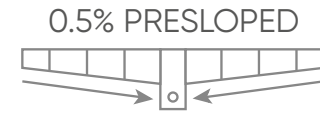
MEGA 110FC system

4.5" MEGA concrete trench drain E600



Channels can be produced with vertical outlet

Article	Name	Height		Weight lbs	
		in	mm		
1	04100/230	4.5" MEGA concrete trench drain H9.1"	9.1	230	150.8
2	04100/225	4.5" MEGA concrete trench drain H8.9"	8.9	225	148.8
3	04100/220	4.5" MEGA concrete trench drain H8.7"	8.7	220	146.6
4	04100/215	4.5" MEGA concrete trench drain H8.5"	8.5	215	144.6
5	04100/210	4.5" MEGA concrete trench drain H8.3"	8.3	210	142.6
6	04100/205	4.5" MEGA concrete trench drain H8.1"	8.1	205	140.7
7	04100/200	4.5" MEGA concrete trench drain H7.9"	7.9	200	138.7
8	04100/195	4.5" MEGA concrete trench drain H7.7"	7.7	195	136.5
9	04100/190	4.5" MEGA concrete trench drain H7.5"	7.5	190	134.5
10	04100/185	4.5" MEGA concrete trench drain H7.3"	7.3	185	132.5
11	04100/180	4.5" MEGA concrete trench drain H7.1"	7.1	180	130.5
12	04100/175	4.5" MEGA concrete trench drain H6.9"	6.9	175	128.3
13	04100/170	4.5" MEGA concrete trench drain H6.7"	6.7	170	126.3
14	04100/165	4.5" MEGA concrete trench drain H6.5"	6.5	165	124.3
15	04100/160	4.5" MEGA concrete trench drain H6.3"	6.3	160	122.1
16	04100/155	4.5" MEGA concrete trench drain H6.1"	6.1	155	120.2
17	04100/150	4.5" MEGA concrete trench drain H5.9"	5.9	150	117.9
18	04100/145	4.5" MEGA concrete trench drain H5.7"	5.7	145	116.0
19	04100/140	4.5" MEGA concrete trench drain H5.5"	5.5	140	114.0
20	04100/135	4.5" MEGA concrete trench drain H5.3"	5.3	135	111.8
21	04100/130	4.5" MEGA concrete trench drain H5.1"	5.1	130	109.8
1	04180-K	4.5" MEGA concrete inline catch basin w/ basket	19.7	500	143.2



Channels can be produced with vertical outlet



Channels can be produced with vertical outlet

4.5" End Cap

Article	End Cap Name	For Channel Height, in	
1	6711/230	4.5" MEGA concrete end cap H9.1"	9.1
2	6711/225	4.5" MEGA concrete end cap H8.9"	8.9
3	6711/220	4.5" MEGA concrete end cap H8.7"	8.7
4	6711/215	4.5" MEGA concrete end cap H8.5"	8.5
5	6711/210	4.5" MEGA concrete end cap H8.3"	8.3
6	6711/205	4.5" MEGA concrete end cap H8.1"	8.1
7	6711/200	4.5" MEGA concrete end cap H7.9"	7.9
8	6711/195	4.5" MEGA concrete end cap H7.7"	7.7
9	6711/190	4.5" MEGA concrete end cap H7.5"	7.5
10	6711/185	4.5" MEGA concrete end cap H7.3"	7.3
11	6711/180	4.5" MEGA concrete end cap H7.1"	7.1

End Caps can be produced with horizontal outlet

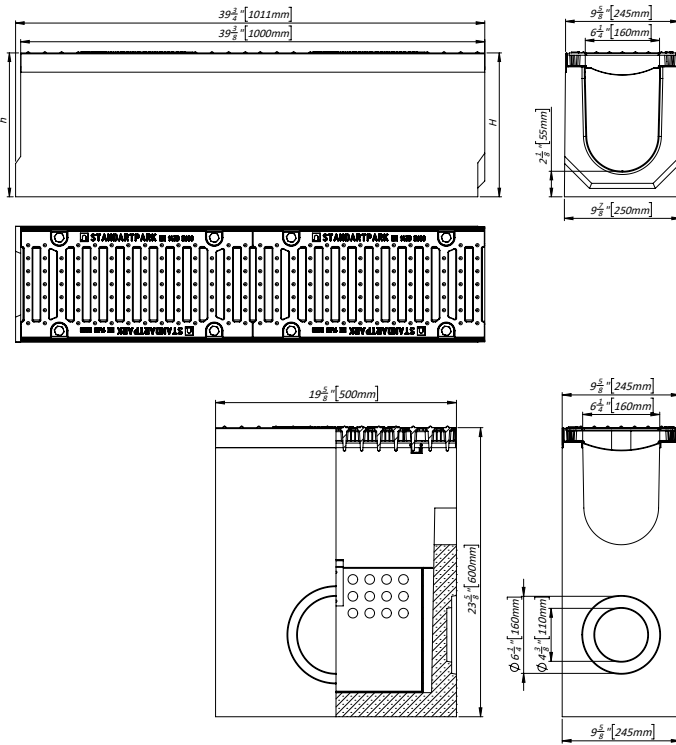
Article	End Cap Name	For Channel Height, in	
12	6711/175	4.5" MEGA concrete end cap H6.9"	6.9
13	6711/170	4.5" MEGA concrete end cap H6.7"	6.7
14	6711/165	4.5" MEGA concrete end cap H6.5"	6.5
15	6711/160	4.5" MEGA concrete end cap H6.3"	6.3
16	6711/155	4.5" MEGA concrete end cap H6.1"	6.1
17	6711/150	4.5" MEGA concrete end cap H5.9"	5.9
18	6711/145	4.5" MEGA concrete end cap H5.7"	5.7
19	6711/140	4.5" MEGA concrete end cap H5.5"	5.5
20	6711/135	4.5" MEGA concrete end cap H5.3"	5.3
21	6711/130	4.5" MEGA concrete end cap H5.1"	5.1

Article	Name	Height, H		Height, h		Weight lbs	
		in	mm	in	mm		
1	04100/230-225	4.5" MEGA concrete trench drain H9.1"-8.9"	9.1	230	8.9	225	149.7
2	04100/225-220	4.5" MEGA concrete trench drain H8.9"-8.7"	8.9	225	8.7	220	147.7
3	04100/220-215	4.5" MEGA concrete trench drain H8.7"-8.5"	8.7	220	8.5	215	145.7
4	04100/215-210	4.5" MEGA concrete trench drain H8.5"-8.3"	8.5	215	8.3	210	143.7
5	04100/210-205	4.5" MEGA concrete trench drain H8.3"-8.1"	8.3	210	8.1	205	141.8
6	04100/205-200	4.5" MEGA concrete trench drain H8.1"-7.9"	8.1	205	7.9	200	139.6
7	04100/200-195	4.5" MEGA concrete trench drain H7.9"-7.7"	7.9	200	7.7	195	137.6
8	04100/195-190	4.5" MEGA concrete trench drain H7.7"-7.5"	7.7	195	7.5	190	135.6
9	04100/190-185	4.5" MEGA concrete trench drain H7.5"-7.3"	7.5	190	7.3	185	133.6
10	04100/185-180	4.5" MEGA concrete trench drain H7.3"-7.1"	7.3	185	7.1	180	131.6
11	04100/180-175	4.5" MEGA concrete trench drain H7.1"-6.9"	7.1	180	6.9	175	129.4
12	04100/175-170	4.5" MEGA concrete trench drain H6.9"-6.7"	6.9	175	6.7	170	127.4
13	04100/170-165	4.5" MEGA concrete trench drain H6.7"-6.5"	6.7	170	6.5	165	125.4
14	04100/165-160	4.5" MEGA concrete trench drain H6.5"-6.3"	6.5	165	6.3	160	123.2
15	04100/160-155	4.5" MEGA concrete trench drain H6.3"-6.1"	6.3	160	6.1	155	121.3
16	04100/155-150	4.5" MEGA concrete trench drain H6.1"-5.9"	6.1	155	5.9	150	119.0
17	04100/150-145	4.5" MEGA concrete trench drain H5.9"-5.7"	5.9	150	5.7	145	117.1
18	04100/145-140	4.5" MEGA concrete trench drain H5.7"-5.5"	5.7	145	5.5	140	115.1
19	04100/140-135	4.5" MEGA concrete trench drain H5.5"-5.3"	5.5	140	5.3	135	112.9
20	04100/135-130	4.5" MEGA concrete trench drain H5.3"-5.1"	5.3	135	5.1	130	110.9

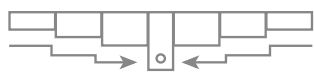
Article	Name	Height, H		Height, h		Weight lbs	
		in	mm	in	mm		
1	04100/230-220	4.5" MEGA concrete trench drain H9.1"-8.7"	9.1	230	8.7	220	149.7
2	04100/220-210	4.5" MEGA concrete trench drain H8.7"-8.3"	8.7	220	8.3	210	145.7
3	04100/210-200	4.5" MEGA concrete trench drain H8.3"-7.9"	8.3	210	7.9	200	141.8
4	04100/200-190	4.5" MEGA concrete trench drain H7.9"-7.5"	7.9	200	7.5	190	137.6
5	04100/190-180	4.5" MEGA concrete trench drain H7.5"-7.1"	7.5	190	7.1	180	133.6
6	04100/180-170	4.5" MEGA concrete trench drain H7.1"-6.7"	7.1	180	6.7	170	129.4
7	04100/170-160	4.5" MEGA concrete trench drain H6.7"-6.3"	6.7	170	6.3	160	125.4
8	04100/160-150	4.5" MEGA concrete trench drain H6.3"-5.9"	6.3	160	5.9	150	121.3
9	04100/150-140	4.5" MEGA concrete trench drain H5.9"-5.5"	5.9	150	5.5	140	117.1
10	04100/140-130	4.5" MEGA concrete trench drain H5.5"-5.1"	5.5	140	5.1	130	112.9

MEGA 160FC system

6.5" MEGA concrete trench drain E600



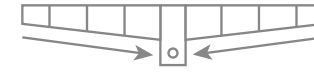
CASCADED SLOPE



Channels can be produced with vertical outlet

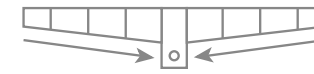
Article	Name	Height		Weight lbs	
		in	mm		
1	04300/310	6.5" MEGA concrete trench drain H12.2"	12.2	310	231.0
2	04300/305	6.5" MEGA concrete trench drain H12.0"	12.0	305	228.8
3	04300/300	6.5" MEGA concrete trench drain H11.8"	11.8	300	226.9
4	04300/295	6.5" MEGA concrete trench drain H11.6"	11.6	295	224.7
5	04300/290	6.5" MEGA concrete trench drain H11.4"	11.4	290	222.4
6	04300/285	6.5" MEGA concrete trench drain H11.2"	11.2	285	220.2
7	04300/280	6.5" MEGA concrete trench drain H11.0"	11.0	280	218.0
8	04300/275	6.5" MEGA concrete trench drain H10.8"	10.8	275	216.1
9	04300/270	6.5" MEGA concrete trench drain H10.6"	10.6	270	213.8
10	04300/265	6.5" MEGA concrete trench drain H10.4"	10.4	265	211.6
11	04300/260	6.5" MEGA concrete trench drain H10.2"	10.2	260	209.4
12	04300/255	6.5" MEGA concrete trench drain H10.0"	10.0	255	207.2
13	04300/250	6.5" MEGA concrete trench drain H9.8"	9.8	250	205.0
14	04300/245	6.5" MEGA concrete trench drain H9.6"	9.6	245	202.8
15	04300/240	6.5" MEGA concrete trench drain H9.4"	9.4	240	200.4
16	04300/235	6.5" MEGA concrete trench drain H9.3"	9.3	235	198.2
17	04300/230	6.5" MEGA concrete trench drain H9.1"	9.1	230	196.0
18	04300/225	6.5" MEGA concrete trench drain H8.9"	8.9	225	193.8
19	04300/220	6.5" MEGA concrete trench drain H8.7"	8.7	220	191.6
20	04300/215	6.5" MEGA concrete trench drain H8.5"	8.5	215	189.2
21	04300/210	6.5" MEGA concrete trench drain H8.3"	8.3	210	187.0
22	04300/205	6.5" MEGA concrete trench drain H8.1"	8.1	205	184.7
23	04300/200	6.5" MEGA concrete trench drain H7.9"	7.9	200	182.5
24	04300/195	6.5" MEGA concrete trench drain H7.7"	7.7	195	180.3
25	04300/190	6.5" MEGA concrete trench drain H7.5"	7.5	190	177.9
26	04300/185	6.5" MEGA concrete trench drain H7.3"	7.3	185	175.7
1	04380-K	6.5" MEGA concrete inline catch basin w/ basket	23.6	600	186.0

0.5% PRESLOPED



Channels can be produced with vertical outlet

1% PRESLOPED



Channels can be produced with vertical outlet



6.5" End Cap

Article	End Cap Name	For Channel Height, in	
1	6731/310	6.5" MEGA concrete end cap H12.2"	12.2
2	6731/305	6.5" MEGA concrete end cap H12.0"	12.0
3	6731/300	6.5" MEGA concrete end cap H11.8"	11.8
4	6731/295	6.5" MEGA concrete end cap H11.6"	11.6
5	6731/290	6.5" MEGA concrete end cap H11.4"	11.4
6	6731/285	6.5" MEGA concrete end cap H11.2"	11.2
7	6731/280	6.5" MEGA concrete end cap H11.0"	11.0
8	6731/275	6.5" MEGA concrete end cap H10.8"	10.8
9	6731/270	6.5" MEGA concrete end cap H10.6"	10.6
10	6731/265	6.5" MEGA concrete end cap H10.4"	10.4
11	6731/260	6.5" MEGA concrete end cap H10.2"	10.2
12	6731/255	6.5" MEGA concrete end cap H10.0"	10.0
13	6731/250	6.5" MEGA concrete end cap H9.8"	9.8



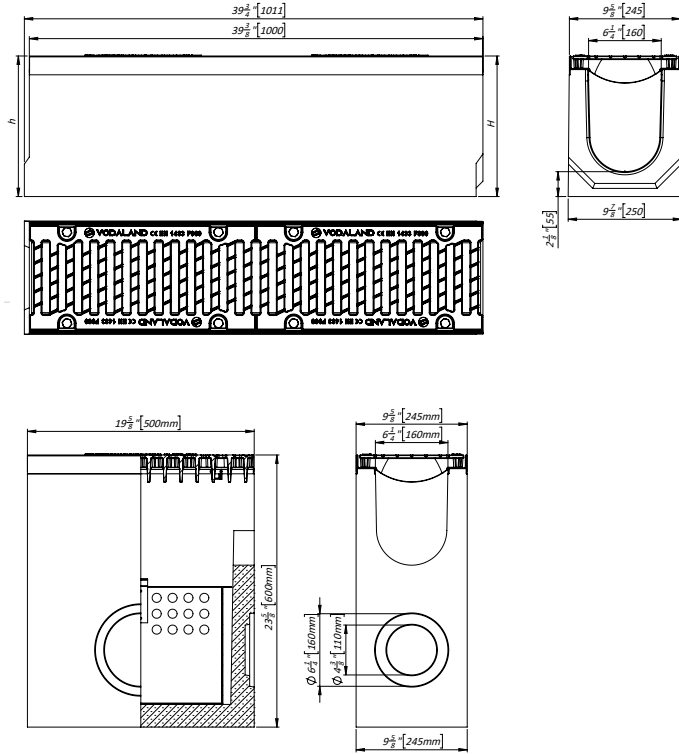
End Caps can be produced with horizontal outlet

Article	End Cap Name	For Channel Height, in	
14	6731/245	6.5" MEGA concrete end cap H9.6"	9.6
15	6731/240	6.5" MEGA concrete end cap H9.4"	9.4
16	6731/235	6.5" MEGA concrete end cap H9.3"	9.3
17	6731/230	6.5" MEGA concrete end cap H9.1"	9.1
18	6731/225	6.5" MEGA concrete end cap H8.9"	8.9
19	6731/220	6.5" MEGA concrete end cap H8.7"	8.7
20	6731/215	6.5" MEGA concrete end cap H8.5"	8.5
21	6731/210	6.5" MEGA concrete end cap H8.3"	8.3
22	6731/205	6.5" MEGA concrete end cap H8.1"	8.1
23	6731/200	6.5" MEGA concrete end cap H7.9"	7.9
24	6731/195	6.5" MEGA concrete end cap H7.7"	7.7
25	6731/190	6.5" MEGA concrete end cap H7.5"	7.5
26	6731/185	6.5" MEGA concrete end cap H7.3"	7.3

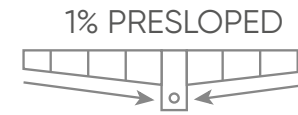
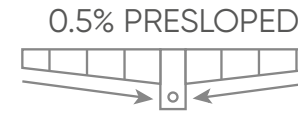
Article	Name	Height, H		Height, h		Weight lbs	
		in	mm	in	mm		
1	04300/310-305	6.5" MEGA concrete trench drain H12.0"-12.0"	12.2	310	12.0	305	230.2
2	04300/305-300	6.5" MEGA concrete trench drain H12.0"-11.8"	12.0	305	11.8	300	228.0
3	04300/300-295	6.5" MEGA concrete trench drain H11.8"-11.6"	11.8	300	11.6	295	225.8
4	04300/295-290	6.5" MEGA concrete trench drain H11.6"-11.4"	11.6	295	11.4	290	223.5
5	04300/290-285	6.5" MEGA concrete trench drain H11.4"-11.2"	11.4	290	11.2	285	221.6
6	04300/285-280	6.5" MEGA concrete trench drain H11.2"-11.0"	11.2	285	11.0	280	219.4
7	04300/280-275	6.5" MEGA concrete trench drain H11.0"-10.8"	11.0	280	10.8	275	217.2
8	04300/275-270	6.5" MEGA concrete trench drain H10.8"-10.6"	10.8	275	10.6	270	215.0
9	04300/270-265	6.5" MEGA concrete trench drain H10.6"-10.4"	10.6	270	10.4	265	212.7
10	04300/265-260	6.5" MEGA concrete trench drain H10.4"-10.2"	10.4	265	10.2	260	210.8
11	04300/260-255	6.5" MEGA concrete trench drain H10.2"-10.0"	10.2	260	10.0	255	208.6
12	04300/255-250	6.5" MEGA concrete trench drain H10.0"-9.8"	10.0	255	9.8	250	206.4
13	04300/250-245	6.5" MEGA concrete trench drain H9.8"-9.6"	9.8	250	9.6	245	203.9
14	04300/245-240	6.5" MEGA concrete trench drain H9.6"-9.4"	9.6	245	9.4	240	201.7
15	04300/240-235	6.5" MEGA concrete trench drain H9.4"-9.3"	9.4	240	9.3	235	199.5
16	04300/235-230	6.5" MEGA concrete trench drain H9.3"-9.1"	9.3	235	9.1	230	197.3
17	04300/230-225	6.5" MEGA concrete trench drain H9.1"-8.9"	9.1	230	8.9	225	195.1
18	04300/225-220	6.5" MEGA concrete trench drain H8.9"-8.7"	8.9	225	8.7	220	192.7
19	04300/220-215	6.5" MEGA concrete trench drain H8.7"-8.5"	8.7	220	8.5	215	190.5
20	04300/215-210	6.5" MEGA concrete trench drain H8.5"-8.3"	8.5	215	8.3	210	188.3
21	04300/210-205	6.5" MEGA concrete trench drain H8.3"-8.1"	8.3	210	8.1	205	186.1
22	04300/205-200	6.5" MEGA concrete trench drain H8.1"-7.9"	8.1	205	7.9	200	183.9
23	04300/200-195	6.5" MEGA concrete trench drain H7.9"-7.7"	7.9	200	7.7	195	181.4
24	04300/195-190	6.5" MEGA concrete trench drain H7.7"-7.5"	7.7	195	7.5	190	179.2
25	04300/190-185	6.5" MEGA concrete trench drain H7.5"-7.3"	7.5	190	7.3	185	177.0

Article	Name	Height, H		Height, h		Weight lbs	
		in	mm	in	mm		
1	04300/310-300	6.5" MEGA concrete trench drain H12.0"-11.8"	12.2	310	11.8	300	230.2
2	04300/300-290	6.5" MEGA concrete trench drain H11.8"-11.4"	11.8	300	11.4	290	225.8
3	04300/290-280	6.5" MEGA concrete trench drain H11.4"-11.0"	11.4	290	11.0	280	221.6
4	04300/280-270	6.5" MEGA concrete trench drain H11.0"-10.6"	11.0	280	10.6	270	217.2
5	04300/270-260	6.5" MEGA concrete trench drain H10.6"-10.2"	10.6	270	10.2	260	212.7
6	04300/260-250	6.5" MEGA concrete trench drain H10.2"-9.8"	10.2	260	9.8	250	208.6
7	04300/250-240	6.5" MEGA concrete trench drain H9.8"-9.4"	9.8	250	9.4	240	203.9
8	04300/240-230	6.5" MEGA concrete trench drain H9.4"-9.1"	9.4	240	9.1	230	199.5
9	04300/230-220	6.5" MEGA concrete trench drain H9.1"-8.7"	9.1	230	8.7	220	195.1
10	04300/220-210	6.5" MEGA concrete trench drain H8.7"-8.3"	8.7	220	8.3	210	190.5
11	04300/210-200	6.5" MEGA concrete trench drain H8.3"-7.9"	8.3	210	7.9	200	186.1
12	04300/200-190	6.5" MEGA concrete trench drain H7.9"-7.5"	7.9	200	7.5	190	181.4

6.5" MEGA concrete trench drain F900



Article	Name	Height		Weight	
		in	mm		
1	04301/310	6.5" MEGA concrete trench drain H12.2"	12.2	310	246.5
2	04301/305	6.5" MEGA concrete trench drain H12.0"	12.0	305	244.3
3	04301/300	6.5" MEGA concrete trench drain H11.8"	11.8	300	242.1
4	04301/295	6.5" MEGA concrete trench drain H11.6"	11.6	295	239.9
5	04301/290	6.5" MEGA concrete trench drain H11.4"	11.4	290	237.7
6	04301/285	6.5" MEGA concrete trench drain H11.2"	11.2	285	235.7
7	04301/280	6.5" MEGA concrete trench drain H11.0"	11.0	280	233.5
8	04301/275	6.5" MEGA concrete trench drain H10.8"	10.8	275	231.3
9	04301/270	6.5" MEGA concrete trench drain H10.6"	10.6	270	229.1
10	04301/265	6.5" MEGA concrete trench drain H10.4"	10.4	265	226.9
11	04301/260	6.5" MEGA concrete trench drain H10.2"	10.2	260	224.9
12	04301/255	6.5" MEGA concrete trench drain H10.0"	10.0	255	222.4
13	04301/250	6.5" MEGA concrete trench drain H9.8"	9.8	250	220.2
14	04301/245	6.5" MEGA concrete trench drain H9.6"	9.6	245	218.0
15	04301/240	6.5" MEGA concrete trench drain H9.4"	9.4	240	215.8
16	04301/235	6.5" MEGA concrete trench drain H9.3"	9.3	235	213.6
17	04301/230	6.5" MEGA concrete trench drain H9.1"	9.1	230	211.2
18	04301/225	6.5" MEGA concrete trench drain H8.9"	8.9	225	209.0
19	04301/220	6.5" MEGA concrete trench drain H8.7"	8.7	220	206.8
20	04301/215	6.5" MEGA concrete trench drain H8.5"	8.5	215	204.6
21	04301/210	6.5" MEGA concrete trench drain H8.3"	8.3	210	202.4
22	04301/205	6.5" MEGA concrete trench drain H8.1"	8.1	205	200.0
23	04301/200	6.5" MEGA concrete trench drain H7.9"	7.9	200	197.8
24	04301/195	6.5" MEGA concrete trench drain H7.7"	7.7	195	195.5
25	04301/190	6.5" MEGA concrete trench drain H7.5"	7.5	190	193.3
26	04301/185	6.5" MEGA concrete trench drain H7.3"	7.3	185	191.1
1	04381-K	6.5" MEGA concrete inline catch basin w/ basket	23.6	600	196.2



Article	Name	Height, H		Height, h		Weight	
		in	mm	in	mm		
1	04301/310-305	6.5" MEGA concrete trench drain H12.0"-12.0"	12.2	310	12.0	305	245.2
2	04301/305-300	6.5" MEGA concrete trench drain H12.0"-11.8"	12.0	305	11.8	300	242.9
3	04301/300-295	6.5" MEGA concrete trench drain H11.8"-11.6"	11.8	300	11.6	295	241.0
4	04301/295-290	6.5" MEGA concrete trench drain H11.6"-11.4"	11.6	295	11.4	290	238.8
5	04301/290-285	6.5" MEGA concrete trench drain H11.4"-11.2"	11.4	290	11.2	285	236.6
6	04301/285-280	6.5" MEGA concrete trench drain H11.2"-11.0"	11.2	285	11.0	280	234.4
7	04301/280-275	6.5" MEGA concrete trench drain H11.0"-10.8"	11.0	280	10.8	275	232.1
8	04301/275-270	6.5" MEGA concrete trench drain H10.8"-10.6"	10.8	275	10.6	270	230.2
9	04301/270-265	6.5" MEGA concrete trench drain H10.6"-10.4"	10.6	270	10.4	265	228.0
10	04301/265-260	6.5" MEGA concrete trench drain H10.4"-10.2"	10.4	265	10.2	260	225.8
11	04301/260-255	6.5" MEGA concrete trench drain H10.2"-10.0"	10.2	260	10.0	255	223.5
12	04301/255-250	6.5" MEGA concrete trench drain H10.0"-9.8"	10.0	255	9.8	250	221.3
13	04301/250-245	6.5" MEGA concrete trench drain H9.8"-9.6"	9.8	250	9.6	245	219.1
14	04301/245-240	6.5" MEGA concrete trench drain H9.6"-9.4"	9.6	245	9.4	240	216.9
15	04301/240-235	6.5" MEGA concrete trench drain H9.4"-9.3"	9.4	240	9.3	235	214.5
16	04301/235-230	6.5" MEGA concrete trench drain H9.3"-9.1"	9.3	235	9.1	230	212.3
17	04301/230-225	6.5" MEGA concrete trench drain H9.1"-8.9"	9.1	230	8.9	225	210.1
18	04301/225-220	6.5" MEGA concrete trench drain H8.9"-8.7"	8.9	225	8.7	220	207.9
19	04301/220-215	6.5" MEGA concrete trench drain H8.7"-8.5"	8.7	220	8.5	215	205.7
20	04301/215-210	6.5" MEGA concrete trench drain H8.5"-8.3"	8.5	215	8.3	210	203.3
21	04301/210-205	6.5" MEGA concrete trench drain H8.3"-8.1"	8.3	210	8.1	205	201.1
22	04301/205-200	6.5" MEGA concrete trench drain H8.1"-7.9"	8.1	205	7.9	200	198.9
23	04301/200-195	6.5" MEGA concrete trench drain H7.9"-7.7"	7.9	200	7.7	195	196.7
24	04301/195-190	6.5" MEGA concrete trench drain H7.7"-7.5"	7.7	195	7.5	190	194.4
25	04301/190-185	6.5" MEGA concrete trench drain H7.5"-7.3"	7.5	190	7.3	185	192.0

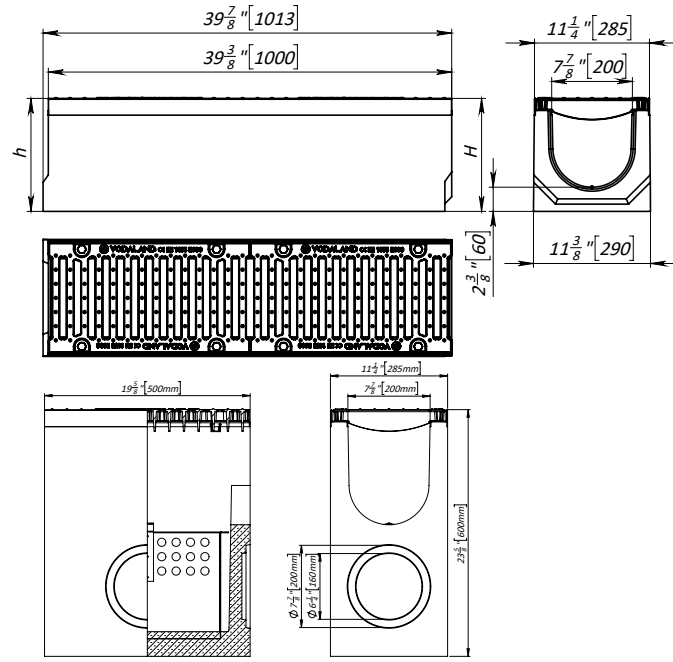
Article	Name	Height, H		Height, h		Weight	
		in	mm	in	mm		
1	04301/310-300	6.5" MEGA concrete trench drain H12.0"-11.8"	12.2	310	11.8	300	245.2
2	04301/300-290	6.5" MEGA concrete trench drain H11.8"-11.4"	11.8	300	11.4	290	241.0
3	04301/290-280	6.5" MEGA concrete trench drain H11.4"-11.0"	11.4	290	11.0	280	236.6
4	04301/280-270	6.5" MEGA concrete trench drain H11.0"-10.6"	11.0	280	10.6	270	232.1
5	04301/270-260	6.5" MEGA concrete trench drain H10.6"-10.2"	10.6	270	10.2	260	228.0
6	04301/260-250	6.5" MEGA concrete trench drain H10.2"-9.8"	10.2	260	9.8	250	223.5
7	04301/250-240	6.5" MEGA concrete trench drain H9.8"-9.4"	9.8	250	9.4	240	219.1
8	04301/240-230	6.5" MEGA concrete trench drain H9.4"-9.1"	9.4	240	9.1	230	214.5
9	04301/230-220	6.5" MEGA concrete trench drain H9.1"-8.7"	9.1	230	8.7	220	210.1
10	04301/220-210	6.5" MEGA concrete trench drain H8.7"-8.3"	8.7	220	8.3	210	205.7
11	04301/210-200	6.5" MEGA concrete trench drain H8.3"-7.9"	8.3	210	7.9	200	201.1
12	04301/200-190	6.5" MEGA concrete trench drain H7.9"-7.5"	7.9	200	7.5	190	196.7



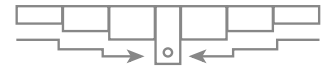
DRAIN

MEGA 200FC system

8" MEGA concrete trench drain E600

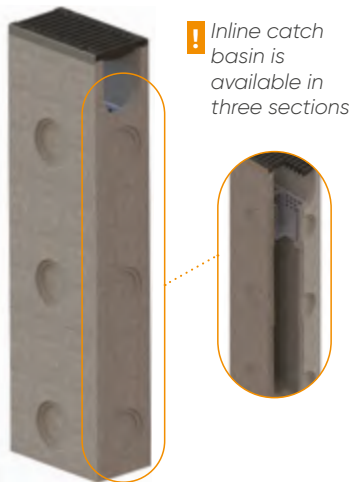


CASCADED SLOPE



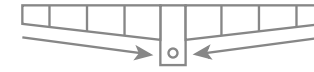
Channels can be produced with vertical outlet

Inline catch basin is available in three sections



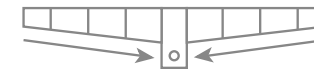
Article	Name	Height		Weight	
		in	mm		
1	04500/335	8" MEGA concrete trench drain H13.2"	13.2	335	270.7
2	04500/330	8" MEGA concrete trench drain H13.0"	13.0	330	268.7
3	04500/325	8" MEGA concrete trench drain H12.8"	12.8	325	267.0
4	04500/320	8" MEGA concrete trench drain H12.6"	12.6	320	265.0
5	04500/315	8" MEGA concrete trench drain H12.4"	12.4	315	263.0
6	04500/310	8" MEGA concrete trench drain H12.2"	12.2	310	261.0
7	04500/305	8" MEGA concrete trench drain H12.0"	12.0	305	259.0
8	04500/300	8" MEGA concrete trench drain H11.8"	11.8	300	257.3
9	04500/295	8" MEGA concrete trench drain H11.6"	11.6	295	255.3
10	04500/290	8" MEGA concrete trench drain H11.4"	11.4	290	253.3
11	04500/285	8" MEGA concrete trench drain H11.2"	11.2	285	251.3
12	04500/280	8" MEGA concrete trench drain H11.0"	11.0	280	249.3
13	04500/275	8" MEGA concrete trench drain H10.8"	10.8	275	247.6
14	04500/270	8" MEGA concrete trench drain H10.6"	10.6	270	245.6
15	04500/265	8" MEGA concrete trench drain H10.4"	10.4	265	243.6
16	04500/260	8" MEGA concrete trench drain H10.2"	10.2	260	241.6
17	04500/255	8" MEGA concrete trench drain H10.0"	10.0	255	239.6
18	04500/250	8" MEGA concrete trench drain H9.8"	9.8	250	237.9
19	04500/245	8" MEGA concrete trench drain H9.6"	9.6	245	235.9
20	04500/240	8" MEGA concrete trench drain H9.4"	9.4	240	233.9
21	04500/235	8" MEGA concrete trench drain H9.3"	9.3	235	231.9
22	04500/230	8" MEGA concrete trench drain H9.1"	9.1	230	229.9
23	04500/225	8" MEGA concrete trench drain H8.9"	8.9	225	228.2
24	04500/220	8" MEGA concrete trench drain H8.7"	8.7	220	226.2
25	04500/215	8" MEGA concrete trench drain H8.5"	8.5	215	224.4
1	04580-K	8" MEGA concrete inline catch basin w/ basket	23.6	600	207.9
2	045824/1-K	8" MEGA concrete inline catch basin (top) w/ basket	23.6	600	183.0
3	4580/2	8" MEGA concrete inline catch basin (middle)	23.6	600	181.2
4	4580/3	8" MEGA concrete inline catch basin (bottom)	23.6	600	204.3

0.5% PRESLOPED



Channels can be produced with vertical outlet

1% PRESLOPED



Channels can be produced with vertical outlet

8" End Cap

Article	End Cap Name	For Channel Height, in	
1	6751/335	8" MEGA concrete end cap H13.2"	13.2
2	6751/330	8" MEGA concrete end cap H13.0"	13.0
3	6751/325	8" MEGA concrete end cap H12.8"	12.8
4	6751/320	8" MEGA concrete end cap H12.6"	12.6
5	6751/315	8" MEGA concrete end cap H12.4"	12.4
6	6751/310	8" MEGA concrete end cap H12.2"	12.2
7	6751/305	8" MEGA concrete end cap H12.0"	12.0
8	6751/300	8" MEGA concrete end cap H11.8"	11.8
9	6751/295	8" MEGA concrete end cap H11.6"	11.6
10	6751/290	8" MEGA concrete end cap H11.4"	11.4
11	6751/285	8" MEGA concrete end cap H11.2"	11.2
12	6751/280	8" MEGA concrete end cap H11.0"	11.0
13	6751/275	8" MEGA concrete end cap H10.8"	10.8

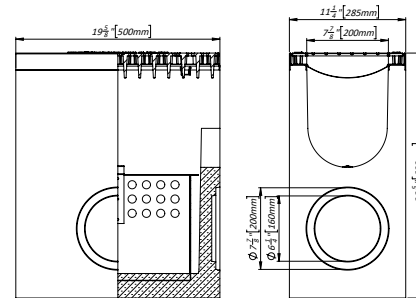
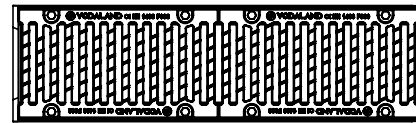
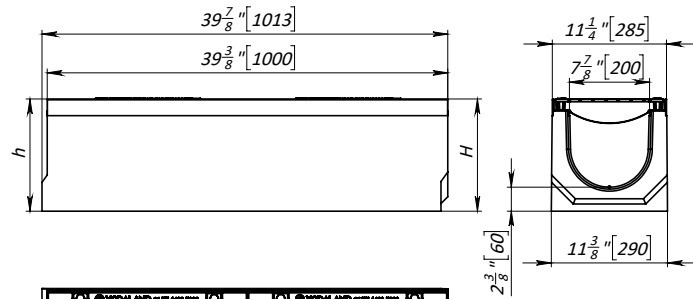
End Caps can be produced with horizontal outlet

Article	End Cap Name	For Channel Height, in	
14	6751/270	8" MEGA concrete end cap H10.6"	10.6
15	6751/265	8" MEGA concrete end cap H10.4"	10.4
16	6751/260	8" MEGA concrete end cap H10.2"	10.2
17	6751/255	8" MEGA concrete end cap H10.0"	10.0
18	6751/250	8" MEGA concrete end cap H9.8"	9.8
19	6751/245	8" MEGA concrete end cap H9.6"	9.6
20	6751/240	8" MEGA concrete end cap H9.4"	9.4
21	6751/235	8" MEGA concrete end cap H9.3"	9.3
22	6751/230	8" MEGA concrete end cap H9.1"	9.1
23	6751/225	8" MEGA concrete end cap H8.9"	8.9
24	6751/220	8" MEGA concrete end cap H8.7"	8.7
25	6751/215	8" MEGA concrete end cap H8.5"	8.5

Article	Name	Height, H		Height, h		Weight	
		in	mm	in	mm		
1	04500/335-330	8" MEGA concrete trench drain H13.2"-13.0"	13.2	335	13.0	330	269.6
2	04500/330-325	8" MEGA concrete trench drain H13.0"-12.8"	13.0	330	12.8	325	267.6
3	04500/325-320	8" MEGA concrete trench drain H12.8"-12.6"	12.8	325	12.6	320	265.7
4	04500/320-315	8" MEGA concrete trench drain H12.6"-12.4"	12.6	320	12.4	315	263.9
5	04500/315-310	8" MEGA concrete trench drain H12.4"-12.2"	12.4	315	12.2	310	261.9
6	04500/310-305	8" MEGA concrete trench drain H12.2"-12.0"	12.2	310	12.0	305	259.9
7	04500/305-300	8" MEGA concrete trench drain H12.0"-11.8"	12.0	305	11.8	300	257.9
8	04500/300-295	8" MEGA concrete trench drain H11.8"-11.6"	11.8	300	11.6	295	256.0
9	04500/295-290	8" MEGA concrete trench drain H11.6"-11.4"	11.6	295	11.4	290	254.2
10	04500/290-285	8" MEGA concrete trench drain H11.4"-11.2"	11.4	290	11.2	285	252.2
11	04500/285-280	8" MEGA concrete trench drain H11.2"-11.0"	11.2	285	11.0	280	250.2
12	04500/280-275	8" MEGA concrete trench drain H11.0"-10.8"	11.0	280	10.8	275	248.2
13	04500/275-270	8" MEGA concrete trench drain H10.8"-10.6"	10.8	275	10.6	270	246.3
14	04500/270-265	8" MEGA concrete trench drain H10.6"-10.4"	10.6	270	10.4	265	244.5
15	04500/265-260	8" MEGA concrete trench drain H10.4"-10.2"	10.4	265	10.2	260	242.5
16	04500/260-255	8" MEGA concrete trench drain H10.2"-10.0"	10.2	260	10.0	255	240.5
17	04500/255-250	8" MEGA concrete trench drain H10.0"-9.8"	10.0	255	9.8	250	238.5
18	04500/250-245	8" MEGA concrete trench drain H9.8"-9.6"	9.8	250	9.6	245	236.6
19	04500/245-240	8" MEGA concrete trench drain H9.6"-9.4"	9.6	245	9.4	240	234.8
20	04500/240-235	8" MEGA concrete trench drain H9.4"-9.3"	9.4	240	9.3	235	232.8
21	04500/235-230	8" MEGA concrete trench drain H9.3"-9.1"	9.3	235	9.1	230	230.8
22	04500/230-225	8" MEGA concrete trench drain H9.1"-8.9"	9.1	230	8.9	225	228.8
23	04500/225-220	8" MEGA concrete trench drain H8.9"-8.7"	8.9	225	8.7	220	226.9
24	04500/220-215	8" MEGA concrete trench drain H8.7"-8.5"	8.7	220	8.5	215	225.1
25	04301/190-185	ST-CN-6.5"-MX-F900 H7.5"-7.3"	7.5	190	7.3	185	192.0

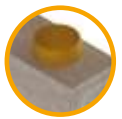
Article	Name	Height, H		Height, h		Weight	
		in	mm	in	mm		
1	04500/335-325	8" MEGA concrete trench drain H13.2"-12.8"	13.2	335	12.8	325	269.6
2	04500/325-315	8" MEGA concrete trench drain H12.8"-12.4"	12.8	325	12.4	315	265.7
3	04500/315-305	8" MEGA concrete trench drain H12.4"-12.0"	12.4	315	12.0	305	261.9
4	04500/305-295	8" MEGA concrete trench drain H12.0"-11.6"	12.0	305	11.6	295	257.9
5	04500/295-285	8" MEGA concrete trench drain H11.6"-11.2"	11.6	295	11.2	285	254.2
6	04500/285-275	8" MEGA concrete trench drain H11.2"-10.8"	11.2	285	10.8	275	250.2
7	04500/275-265	8" MEGA concrete trench drain H10.8"-10.4"	10.8	275	10.4	265	246.3
8	04500/265-255	8" MEGA concrete trench drain H10.4"-10.0"	10.4	265	10.0	255	242.5
9	04500/255-245	8" MEGA concrete trench drain H10.0"-9.6"	10.0	255	9.6	245	238.5
10	04500/245-235	8" MEGA concrete trench drain H9.6"-9.3"	9.6	245	9.3	235	234.8
11	04500/235-225	8" MEGA concrete trench drain H9.3"-8.9"	9.3	235	8.9	225	230.8
12	04500/225-215	8" MEGA concrete trench drain H8.9"-8.5"	8.9	225	8.5	215	226.9

8" MEGA concrete trench drain F900



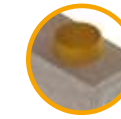
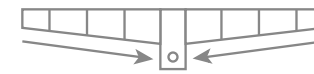
Article	Name	Height		Weight lbs	
		in	mm		
1	04501/335	8" MEGA concrete trench drain H13.2"	13.2	335	284.6
2	04501/330	8" MEGA concrete trench drain H13.0"	13.0	330	282.6
3	04501/325	8" MEGA concrete trench drain H12.8"	12.8	325	280.6
4	04501/320	8" MEGA concrete trench drain H12.6"	12.6	320	278.9
5	04501/315	8" MEGA concrete trench drain H12.4"	12.4	315	276.9
6	04501/310	8" MEGA concrete trench drain H12.2"	12.2	310	274.9
7	04501/305	8" MEGA concrete trench drain H12.0"	12.0	305	272.9
8	04501/300	8" MEGA concrete trench drain H11.8"	11.8	300	270.9
9	04501/295	8" MEGA concrete trench drain H11.6"	11.6	295	269.2
10	04501/290	8" MEGA concrete trench drain H11.4"	11.4	290	267.2
11	04501/285	8" MEGA concrete trench drain H11.2"	11.2	285	265.2
12	04501/280	8" MEGA concrete trench drain H11.0"	11.0	280	263.2
13	04501/275	8" MEGA concrete trench drain H10.8"	10.8	275	261.2
14	04501/270	8" MEGA concrete trench drain H10.6"	10.6	270	259.5
15	04501/265	8" MEGA concrete trench drain H10.4"	10.4	265	257.5
16	04501/260	8" MEGA concrete trench drain H10.2"	10.2	260	255.5
17	04501/255	8" MEGA concrete trench drain H10.0"	10.0	255	253.5
18	04501/250	8" MEGA concrete trench drain H9.8"	9.8	250	251.5
19	04501/245	8" MEGA concrete trench drain H9.6"	9.6	245	249.8
20	04501/240	8" MEGA concrete trench drain H9.4"	9.4	240	247.8
21	04501/235	8" MEGA concrete trench drain H9.3"	9.3	235	245.8
22	04501/230	8" MEGA concrete trench drain H9.1"	9.1	230	243.8
23	04501/225	8" MEGA concrete trench drain H8.9"	8.9	225	241.8
24	04501/220	8" MEGA concrete trench drain H8.7"	8.7	220	240.1
25	04501/215	8" MEGA concrete trench drain H8.5"	8.5	215	238.1

CASCADED SLOPE



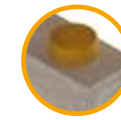
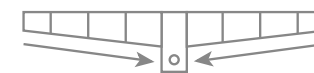
Channels can be produced with vertical outlet

0.5% PRESLOPED



Channels can be produced with vertical outlet

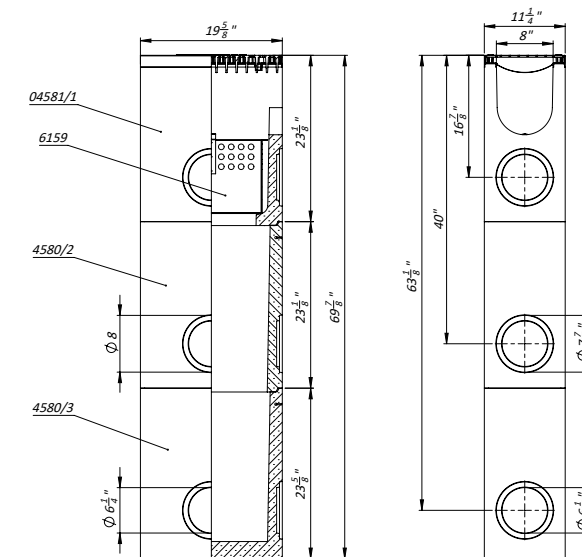
1% PRESLOPED



Channels can be produced with vertical outlet



Inline Basins are available in three tiers stacked sections if needed per specifications.

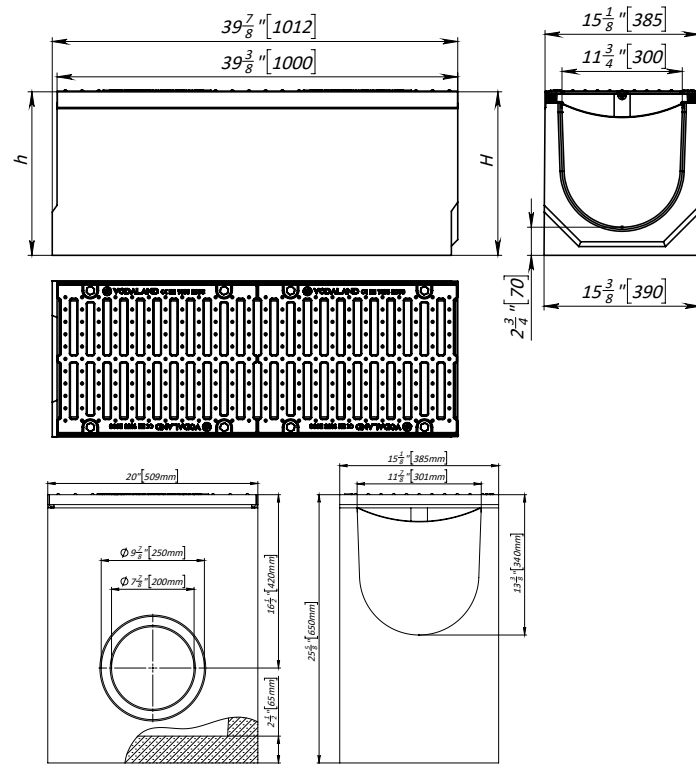


Article	Name	Height, H		Height, h		Weight lbs	
		in	mm	in	mm		
1	04501/335-330	8" MEGA concrete trench drain H13.2"-13.0"	13.2	335	13.0	330	283.5
2	04501/330-325	8" MEGA concrete trench drain H13.0"-12.8"	13.0	330	12.8	325	281.5
3	04501/325-320	8" MEGA concrete trench drain H12.8"-12.6"	12.8	325	12.6	320	279.5
4	04501/320-315	8" MEGA concrete trench drain H12.6"-12.4"	12.6	320	12.4	315	277.8
5	04501/315-310	8" MEGA concrete trench drain H12.4"-12.2"	12.4	315	12.2	310	275.8
6	04501/310-305	8" MEGA concrete trench drain H12.2"-12.0"	12.2	310	12.0	305	273.8
7	04501/305-300	8" MEGA concrete trench drain H12.0"-11.8"	12.0	305	11.8	300	271.8
8	04501/300-295	8" MEGA concrete trench drain H11.8"-11.6"	11.8	300	11.6	295	269.8
9	04501/295-290	8" MEGA concrete trench drain H11.6"-11.4"	11.6	295	11.4	290	268.1
10	04501/290-285	8" MEGA concrete trench drain H11.4"-11.2"	11.4	290	11.2	285	266.1
11	04501/285-280	8" MEGA concrete trench drain H11.2"-11.0"	11.2	285	11.0	280	264.1
12	04501/280-275	8" MEGA concrete trench drain H11.0"-10.8"	11.0	280	10.8	275	262.1
13	04501/275-270	8" MEGA concrete trench drain H10.8"-10.6"	10.8	275	10.6	270	260.1
14	04501/270-265	8" MEGA concrete trench drain H10.6"-10.4"	10.6	270	10.4	265	258.4
15	04501/265-260	8" MEGA concrete trench drain H10.4"-10.2"	10.4	265	10.2	260	256.4
16	04501/260-255	8" MEGA concrete trench drain H10.2"-10.0"	10.2	260	10.0	255	254.4
17	04501/255-250	8" MEGA concrete trench drain H10.0"-9.8"	10.0	255	9.8	250	252.4
18	04501/250-245	8" MEGA concrete trench drain H9.8"-9.6"	9.8	250	9.6	245	250.4
19	04501/245-240	8" MEGA concrete trench drain H9.6"-9.4"	9.6	245	9.4	240	248.7
20	04501/240-235	8" MEGA concrete trench drain H9.4"-9.3"	9.4	240	9.3	235	246.7
21	04501/235-230	8" MEGA concrete trench drain H9.3"-9.1"	9.3	235	9.1	230	244.7
22	04501/230-225	8" MEGA concrete trench drain H9.1"-8.9"	9.1	230	8.9	225	242.7
23	04501/225-220	8" MEGA concrete trench drain H8.9"-8.7"	8.9	225	8.7	220	240.7
24	04501/220-215	8" MEGA concrete trench drain H8.7"-8.5"	8.7	220	8.5	215	239.0
25	04301/190-185	8" MEGA concrete trench drain H7.5"-7.3"	7.5	190	7.3	185	192.0

Article	Name	Height, H		Height, h		Weight lbs	
		in	mm	in	mm		
1	04501/335-325	8" MEGA concrete trench drain H13.2"-12.8"	13.2	335	12.8	325	283.5
2	04501/325-315	8" MEGA concrete trench drain H12.8"-12.4"	12.8	325	12.4	315	279.5
3	04501/315-305	8" MEGA concrete trench drain H12.4"-12.0"	12.4	315	12.0	305	275.8
4	04501/305-295	8" MEGA concrete trench drain H12.0"-11.6"	12.0	305	11.6	295	271.8
5	04501/295-285	8" MEGA concrete trench drain H11.6"-11.2"	11.6	295	11.2	285	268.1
6	04501/285-275	8" MEGA concrete trench drain H11.2"-10.8"	11.2	285	10.8	275	264.1
7	04501/275-265	8" MEGA concrete trench drain H10.8"-10.4"	10.8	275	10.4	265	260.1
8	04501/265-255	8" MEGA concrete trench drain H10.4"-10.0"	10.4	265	10.0	255	256.4
9	04501/255-245	8" MEGA concrete trench drain H10.0"-9.6"	10.0	255	9.6	245	252.4
10	04501/245-235	8" MEGA concrete trench drain H9.6"-9.3"	9.6	245	9.3	235	248.7
11	04501/235-225	8" MEGA concrete trench drain H9.3"-8.9"	9.3	235	8.9	225	244.7
12	04501/225-215	8" MEGA concrete trench drain H8.9"-8.5"	8.9	225	8.5	215	240.7

MEGA 300FC system

12" MEGA concrete trench drain E600



CASCADED SLOPE



Channels can be produced with vertical outlet

Article	Name	Height		Weight
		in	mm	
1 04700/610	12" MEGA concrete trench drain H24.0"	24.0	610	504.9
2 04700/605	12" MEGA concrete trench drain H23.8"	23.8	605	502.7
3 04700/600	12" MEGA concrete trench drain H23.6"	23.6	600	500.4
4 04700/595	12" MEGA concrete trench drain H23.4"	23.4	595	498.2
5 04700/590	12" MEGA concrete trench drain H23.2"	23.2	590	496.0
6 04700/585	12" MEGA concrete trench drain H23.0"	23.0	585	493.8
7 04700/580	12" MEGA concrete trench drain H22.8"	22.8	580	491.6
8 04700/575	12" MEGA concrete trench drain H22.6"	22.6	575	489.4
9 04700/570	12" MEGA concrete trench drain H22.4"	22.4	570	487.2
10 04700/565	12" MEGA concrete trench drain H22.2"	22.2	565	485.0
11 04700/560	12" MEGA concrete trench drain H22.0"	22.0	560	482.8
12 04700/555	12" MEGA concrete trench drain H21.9"	21.9	555	480.6
13 04700/550	12" MEGA concrete trench drain H21.7"	21.7	550	478.4
14 04700/545	12" MEGA concrete trench drain H21.5"	21.5	545	476.2
15 04700/540	12" MEGA concrete trench drain H21.3"	21.3	540	474.0
16 04700/535	12" MEGA concrete trench drain H21.1"	21.1	535	471.8
17 04700/530	12" MEGA concrete trench drain H20.9"	20.9	530	469.6
18 04700/525	12" MEGA concrete trench drain H20.7"	20.7	525	467.4
19 04700/520	12" MEGA concrete trench drain H20.5"	20.5	520	465.2
20 04700/515	12" MEGA concrete trench drain H20.3"	20.3	515	463.0
21 04700/510	12" MEGA concrete trench drain H20.1"	20.1	510	460.8
22 04700/505	12" MEGA concrete trench drain H19.9"	19.9	505	458.6
23 04700/500	12" MEGA concrete trench drain H19.7"	19.7	500	456.4
24 04700/495	12" MEGA concrete trench drain H19.5"	19.5	495	454.2



Inline Basins are available in two tiers stacked sections if needed per specifications.

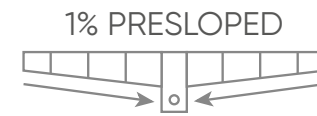
Article	Name	Height		Weight
		in	mm	
25 04700/490	12" MEGA concrete trench drain H19.3"	19.3	490	451.9
26 04700/485	12" MEGA concrete trench drain H19.1"	19.1	485	449.7
27 04700/480	12" MEGA concrete trench drain H18.9"	18.9	480	447.5
28 04700/475	12" MEGA concrete trench drain H18.7"	18.7	475	445.3
29 04700/470	12" MEGA concrete trench drain H18.5"	18.5	470	443.1
30 04700/465	12" MEGA concrete trench drain H18.3"	18.3	465	440.9
31 04700/460	12" MEGA concrete trench drain H18.1"	18.1	460	438.7
32 04700/455	12" MEGA concrete trench drain H17.9"	17.9	455	436.5
33 04700/450	12" MEGA concrete trench drain H17.7"	17.7	450	434.3
34 04700/445	12" MEGA concrete trench drain H17.5"	17.5	445	432.1
35 04700/440	12" MEGA concrete trench drain H17.3"	17.3	440	429.9
36 04700/435	12" MEGA concrete trench drain H17.1"	17.1	435	427.7
37 04700/430	12" MEGA concrete trench drain H16.9"	16.9	430	425.5
38 04700/425	12" MEGA concrete trench drain H16.7"	16.7	425	423.3
39 04700/420	12" MEGA concrete trench drain H16.5"	16.5	420	421.1
40 04700/415	12" MEGA concrete trench drain H16.3"	16.3	415	418.9
41 04700/410	12" MEGA concrete trench drain H16.1"	16.1	410	421.1
42 04700/405	12" MEGA concrete trench drain H15.9"	15.9	405	418.7
43 04700/400	12" MEGA concrete trench drain H15.7"	15.7	400	416.2
44 04700/395	12" MEGA concrete trench drain H15.6"	15.6	395	413.8
45 04700/390	12" MEGA concrete trench drain H15.4"	15.4	390	411.4
46 04700/385	12" MEGA concrete trench drain H15.2"	15.2	385	409.0
47 04700/380	12" MEGA concrete trench drain H15.0"	15.0	380	406.5
48 04700/375	12" MEGA concrete trench drain H14.8"	14.8	375	404.1
49 04700/370	12" MEGA concrete trench drain H14.6"	14.6	370	401.7
50 04700/365	12" MEGA concrete trench drain H14.4"	14.4	365	399.3
51 04700/360	12" MEGA concrete trench drain H14.2"	14.2	360	396.8
52 04700/355	12" MEGA concrete trench drain H14.0"	14.0	355	394.4
53 04700/350	12" MEGA concrete trench drain H13.8"	13.8	350	392.0
54 04700/345	12" MEGA concrete trench drain H13.6"	13.6	345	389.6
55 04700/340	12" MEGA concrete trench drain H13.4"	13.4	340	387.1
56 04700/335	12" MEGA concrete trench drain H13.2"	13.2	335	384.7
57 04700/330	12" MEGA concrete trench drain H13.0"	13.0	330	382.3
58 04700/325	12" MEGA concrete trench drain H12.8"	12.8	325	379.9
59 04700/320	12" MEGA concrete trench drain H12.6"	12.6	320	377.4
60 04700/315	12" MEGA concrete trench drain H12.4"	12.4	315	375.0
61 04700/310	12" MEGA concrete trench drain H12.2"	12.2	310	372.6
62 04700/305	12" MEGA concrete trench drain H12.0"	12.0	305	370.2
63 04700/300	12" MEGA concrete trench drain H11.8"	11.8	300	367.7
64 04700/295	12" MEGA concrete trench drain H11.6"	11.6	295	365.3
65 04700/290	12" MEGA concrete trench drain H11.4"	11.4	290	362.9
66 04700/285	12" MEGA concrete trench drain H11.2"	11.2	285	360.5
67 04700/280	12" MEGA concrete trench drain H11.0"	11.0	280	358.0
68 04700/275	12" MEGA concrete trench drain H10.8"	10.8	275	355.6
69 04700/270	12" MEGA concrete trench drain H10.6"	10.6	270	353.2
70 04700/265	12" MEGA concrete trench drain H10.4"	10.4	265	350.8
71 04700/260	12" MEGA concrete trench drain H10.2"	10.2	260	348.3

1	04770.1/1-K	12" MEGA concrete inline catch basin w/ basket (top)	25.6	650	300.3
2	4770/3	12" MEGA concrete inline catch basin (bottom)	17.2	436	202.8
3	04770.1-K	12" MEGA concrete inline catch basin w/ basket	25.6	650	319.2



Channels can be produced with vertical outlet

Article	Name	Height, H		Height, h		Weight lbs
		in	mm	in	mm	
1	04700/610-605	12"	610	23.8	605	503.8
2	04700/605-600	12"	605	23.6	600	501.6
3	04700/600-595	12"	600	23.4	595	499.3
4	04700/595-590	12"	595	23.2	590	497.1
5	04700/590-585	12"	590	23.0	585	494.9
6	04700/585-580	12"	585	22.8	580	492.7
7	04700/580-575	12"	580	22.6	575	490.5
8	04700/575-570	12"	575	22.4	570	488.3
9	04700/570-565	12"	570	22.2	565	486.1
10	04700/565-560	12"	565	22.0	560	483.9
11	04700/560-555	12"	560	21.9	555	481.7
12	04700/555-550	12"	555	21.7	550	479.5
13	04700/550-545	12"	550	21.5	545	477.3
14	04700/545-540	12"	545	21.3	540	475.1
15	04700/540-535	12"	540	21.1	535	472.9
16	04700/535-530	12"	535	20.9	530	470.7
17	04700/530-252	12"	530	20.7	525	468.5
18	04700/525-520	12"	525	20.5	520	466.3
19	04700/520-515	12"	520	20.3	515	464.1
20	04700/515-510	12"	515	20.1	510	461.9
21	04700/510-505	12"	510	19.9	505	459.7
22	04700/505-500	12"	505	19.7	500	457.5
23	04700/500-495	12"	500	19.5	495	455.3
24	04700/495-490	12"	495	19.3	490	453.0
25	04700/490-485	12"	490	19.1	485	450.8
26	04700/485-480	12"	485	18.9	480	448.6
27	04700/480-475	12"	480	18.7	475	446.4
28	04700/475-470	12"	475	18.5	470	444.2
29	04700/470-465	12"	470	18.3	465	442.0
30	04700/465-460	12"	465	18.1	460	439.8
31	04700/460-455	12"	460	17.9	455	437.6
32	04700/455-450	12"	455	17.7	450	435.4
33	04700/450-445	12"	450	17.5	445	433.2
34	04700/445-440	12"	445	17.3	440	431.0
35	04700/440-435	12"	440	17.1	435	428.8
36	04700/435-430	12"	435	16.9	430	426.6
37	04700/430-425	12"	430	16.7	425	424.4
38	04700/425-420	12"	425	16.5	420	422.2
39	04700/420-415	12"	420	16.3	415	420.0
40	04700/415-410	12"	415	16.1	410	417.8
41	04700/410-405	12"	410	15.9	405	415.6
42	04700/405-400	12"	405	15.7	400	413.4
43	04700/400-395	12"	400	15.6	395	411.2
44	04700/395-390	12"	395	15.4	390	408.9
45	04700/390-385	12"	390	15.2	385	406.7
46	04700/385-380	12"	385	15.0	380	404.5
47	04700/380-375	12"	380	14.8	375	402.3
48	04700/375-370	12"	375	14.6	370	400.1
49	04700/370-365	12"	370	14.4	365	397.9
50	04700/365-360	12"	365	14.2	360	395.7
51	04700/360-355	12"	360	14.0	355	393.5
52	04700/355-350	12"	355	13.8	350	391.3
53	04700/350-345	12"	350	13.6	345	389.1
54	04700/345-340	12"	345	13.4	340	386.9
55	04700/340-335	12"	340	13.2	335	384.7
56	04700/335-330	12"	335	13.0	330	382.5
57	04700/330-325	12"	330	12.8	325	380.3

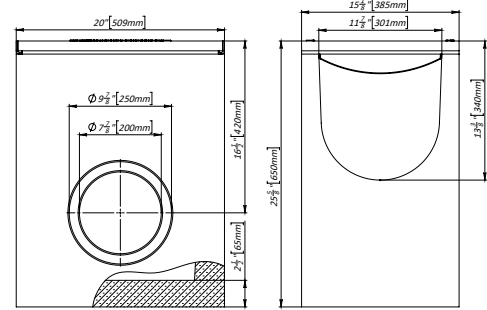
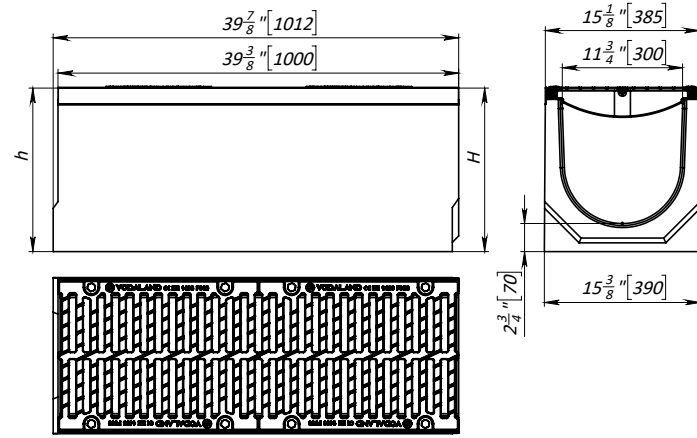


Channels can be produced with vertical outlet

Article	Name	Height, H		Height, h		Weight lbs
		in	mm	in	mm	
58	04700/325-320	12"	325	12.6	320	369.9
59	04700/320-315	12"	320	12.4	315	367.5
60	04700/315-310	12"	315	12.2	310	365.1
61	04700/310-305	12"	310	12.0	305	362.7
62	04700/305-300	12"	305	11.8	300	360.2
63	04700/300-295	12"	300	11.6	295	357.8
64	04700/295-290	12"	295	11.4	290	355.4
65	04700/290-285	12"	290	11.2	285	353.0
66	04700/285-280	12"	285	11.0	280	350.5
67	04700/280-275	12"	280	10.8	275	348.1
68	04700/275-270	12"	275	10.6	270	345.7
69	04700/270-265	12"	270	10.4	265	343.3
70	04700/265-260	12"	265	10.2	260	340.8

Article	Name	Height, H		Height, h		Weight lbs
		in	mm	in	mm	
1	04700/610-600	12"	610	23.6	600	503.8
2	04700/600-590	12"	600	23.2	590	499.3
3	04700/590-580	12"	590	22.8	580	494.9
4	04700/580-570	12"	580	22.4	570	490.5
5	04700/570-560	12"	570	22.0	560	486.1
6	04700/560-550	12"	560	21.7	550	481.7
7	04700/550-540	12"	550	21.3	540	477.3
8	04700/540-530	12"	540	20.9	530	472.9
9	04700/530-250	12"	530	20.5	520	468.5
10	04700/520-510	12"	520	20.1	510	464.1
11	04700/510-500	12"	510	19.7	500	459.7
12	04700/500-490	12"	500	19.3	490	455.3
13	04700/490-480	12"	490	18.9	480	450.8
14	04700/480-470	12"	480	18.5	470	446.4
15	04700/470-460	12"	470	18.1	460	442.0
16	04700/460-450	12"	460	17.7	450	437.6
17	04700/450-440	12"	450	17.3	440	433.2
18	04700/440-430	12"	440	16.9	430	428.8
19	04700/430-420	12"	430	16.5	420	424.4
20	04700/420-410	12"	420	16.1	410	420.0
21	04700/410-400	12"	410	15.7	400	415.6
22	04700/400-390	12"	400	15.4	390	411.2
23	04700/390-380	12"	390	15.0	380	406.7
24	04700/380-370	12"	380	14.6	370	402.3
25	04700/370-360	12"	370	14.2	360	397.9
26	04700/360-350	12"	360	13.8	350	393.5
27	04700/350-340	12"	350	13.4	340	389.1
28	04700/340-330	12"	340	13.0	330	384.7
29	04700/330-320	12"	330	12.6	320	380.3
30	04700/320-310	12"	320	12.2	310	375.9
31	04700/310-300	12"	310	11.8	300	371.5
32	04700/300-290	12"	300	11.4	290	367.1
33	04700/290-280	12"	290	11.0	280	362.7
34	04700/280-270	12"	280	10.6	270	358.3
35	04700/270-260	12"	270	10.2	260	353.9

12" MEGA concrete trench drain F900



CASCADED SLOPE



Channels can be produced with vertical outlet

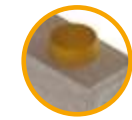
	Article	Name	Height		Weight lbs
			in	mm	
1	04701/610	12" MEGA concrete trench drain H24.0"	24.0	610	520.3
2	04701/605	12" MEGA concrete trench drain H23.8"	23.8	605	518.1
3	04701/600	12" MEGA concrete trench drain H23.6"	23.6	600	515.9
4	04701/595	12" MEGA concrete trench drain H23.4"	23.4	595	513.7
5	04701/590	12" MEGA concrete trench drain H23.2"	23.2	590	511.5
6	04701/585	12" MEGA concrete trench drain H23.0"	23.0	585	509.3
7	04701/580	12" MEGA concrete trench drain H22.8"	22.8	580	507.1
8	04701/575	12" MEGA concrete trench drain H22.6"	22.6	575	504.9
9	04701/570	12" MEGA concrete trench drain H22.4"	22.4	570	502.7
10	04701/565	12" MEGA concrete trench drain H22.2"	22.2	565	500.4
11	04701/560	12" MEGA concrete trench drain H22.0"	22.0	560	498.2
12	04701/555	12" MEGA concrete trench drain H21.9"	21.9	555	496.0
13	04701/550	12" MEGA concrete trench drain H21.7"	21.7	550	493.8
14	04701/545	12" MEGA concrete trench drain H21.5"	21.5	545	491.6
15	04701/540	12" MEGA concrete trench drain H21.3"	21.3	540	489.4
16	04701/535	12" MEGA concrete trench drain H21.1"	21.1	535	487.2
17	04701/530	12" MEGA concrete trench drain H20.9"	20.9	530	485.0
18	04701/525	12" MEGA concrete trench drain H20.7"	20.7	525	482.8
19	04701/520	12" MEGA concrete trench drain H20.5"	20.5	520	480.6
20	04701/515	12" MEGA concrete trench drain H20.3"	20.3	515	478.4
21	04701/510	12" MEGA concrete trench drain H20.1"	20.1	510	476.2
22	04701/505	12" MEGA concrete trench drain H19.9"	19.9	505	474.0
23	04701/500	12" MEGA concrete trench drain H19.7"	19.7	500	471.8
24	04701/495	12" MEGA concrete trench drain H19.5"	19.5	495	469.6



Inline Basins are available in two tiers stacked sections if needed per specifications.

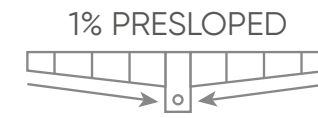
25	04701/490	12" MEGA concrete trench drain H19.3"	19.3	490	467.4
26	04701/485	12" MEGA concrete trench drain H19.1"	19.1	485	465.2
27	04701/480	12" MEGA concrete trench drain H18.9"	18.9	480	463.0
28	04701/475	12" MEGA concrete trench drain H18.7"	18.7	475	460.8
29	04701/470	12" MEGA concrete trench drain H18.5"	18.5	470	458.6
30	04701/465	12" MEGA concrete trench drain H18.3"	18.3	465	456.4
31	04701/460	12" MEGA concrete trench drain H18.1"	18.1	460	454.2
32	04701/455	12" MEGA concrete trench drain H17.9"	17.9	455	451.9
33	04701/450	12" MEGA concrete trench drain H17.7"	17.7	450	449.7
34	04701/445	12" MEGA concrete trench drain H17.5"	17.5	445	447.5
35	04701/440	12" MEGA concrete trench drain H17.3"	17.3	440	445.3
36	04701/435	12" MEGA concrete trench drain H17.1"	17.1	435	443.1
37	04701/430	12" MEGA concrete trench drain H16.9"	16.9	430	440.9
38	04701/425	12" MEGA concrete trench drain H16.7"	16.7	425	438.7
39	04701/420	12" MEGA concrete trench drain H16.5"	16.5	420	436.5
40	04701/415	12" MEGA concrete trench drain H16.3"	16.3	415	434.3
41	04701/410	12" MEGA concrete trench drain H16.1"	16.1	410	432.1
42	04701/405	12" MEGA concrete trench drain H15.9"	15.9	405	430.0
43	04701/400	12" MEGA concrete trench drain H15.7"	15.7	400	427.8
44	04701/395	12" MEGA concrete trench drain H15.6"	15.6	395	425.6
45	04701/390	12" MEGA concrete trench drain H15.4"	15.4	390	423.4
46	04701/385	12" MEGA concrete trench drain H15.2"	15.2	385	421.2
47	04701/380	12" MEGA concrete trench drain H15.0"	15.0	380	419.0
48	04701/375	12" MEGA concrete trench drain H14.8"	14.8	375	416.8
49	04701/370	12" MEGA concrete trench drain H14.6"	14.6	370	414.6
50	04701/365	12" MEGA concrete trench drain H14.4"	14.4	365	412.4
51	04701/360	12" MEGA concrete trench drain H14.2"	14.2	360	410.2
52	04701/355	12" MEGA concrete trench drain H14.0"	14.0	355	408.0
53	04701/350	12" MEGA concrete trench drain H13.8"	13.8	350	405.8
54	04701/345	12" MEGA concrete trench drain H13.6"	13.6	345	403.6
55	04701/340	12" MEGA concrete trench drain H13.4"	13.4	340	401.4
56	04701/335	12" MEGA concrete trench drain H13.2"	13.2	335	399.2
57	04701/330	12" MEGA concrete trench drain H13.0"	13.0	330	397.0
58	04701/325	12" MEGA concrete trench drain H12.8"	12.8	325	394.8
59	04701/320	12" MEGA concrete trench drain H12.6"	12.6	320	392.6
60	04701/315	12" MEGA concrete trench drain H12.4"	12.4	315	390.4
61	04701/310	12" MEGA concrete trench drain H12.2"	12.2	310	388.2
62	04701/305	12" MEGA concrete trench drain H12.0"	12.0	305	386.0
63	04701/300	12" MEGA concrete trench drain H11.8"	11.8	300	383.8
64	04701/295	12" MEGA concrete trench drain H11.6"	11.6	295	381.6
65	04701/290	12" MEGA concrete trench drain H11.4"	11.4	290	379.4
66	04701/285	12" MEGA concrete trench drain H11.2"	11.2	285	377.2
67	04701/280	12" MEGA concrete trench drain H11.0"	11.0	280	375.0
68	04701/275	12" MEGA concrete trench drain H10.8"	10.8	275	372.8
69	04701/270	12" MEGA concrete trench drain H10.6"	10.6	270	370.6
70	04701/265	12" MEGA concrete trench drain H10.4"	10.4	265	368.4
71	04701/260	12" MEGA concrete trench drain H10.2"	10.2	260	366.2

1	04771.1/1-K	12" MEGA concrete inline catch basin w/ basket (top)	25.6	650	313.5
2	4770/3	12" MEGA concrete inline catch basin (bottom)	17.2	436	202.8
3	04771.1-K	12" MEGA concrete inline catch basin w/ basket	25.6	650	332.5



Channels can be produced with vertical outlet

Article	Name	Height, H		Height, h		Weight lbs
		in	mm	in	mm	
1 04701/610-605	12" MEGA concrete trench drain H24.0"-23.8"	24.0	610	23.8	605	519.2
2 04701/605-600	12" MEGA concrete trench drain H23.8"-23.6"	23.8	605	23.6	600	517.0
3 04701/600-595	12" MEGA concrete trench drain H23.6"-23.4"	23.6	600	23.4	595	514.8
4 04701/595-590	12" MEGA concrete trench drain H23.4"-23.2"	23.4	595	23.2	590	512.6
5 04701/590-585	12" MEGA concrete trench drain H23.2"-23.0"	23.2	590	23.0	585	510.4
6 04701/585-580	12" MEGA concrete trench drain H23.0"-22.8"	23.0	585	22.8	580	508.2
7 04701/580-575	12" MEGA concrete trench drain H22.8"-22.6"	22.8	580	22.6	575	506.0
8 04701/575-570	12" MEGA concrete trench drain H22.6"-22.4"	22.6	575	22.4	570	503.8
9 04701/570-565	12" MEGA concrete trench drain H22.4"-22.2"	22.4	570	22.2	565	501.6
10 04701/565-560	12" MEGA concrete trench drain H22.2"-22.0"	22.2	565	22.0	560	499.3
11 04701/560-555	12" MEGA concrete trench drain H22.0"-21.9"	22.0	560	21.9	555	497.1
12 04701/555-550	12" MEGA concrete trench drain H21.9"-21.7"	21.9	555	21.7	550	494.9
13 04701/550-545	12" MEGA concrete trench drain H21.7"-21.5"	21.7	550	21.5	545	492.7
14 04701/545-540	12" MEGA concrete trench drain H21.5"-21.3"	21.5	545	21.3	540	490.5
15 04701/540-535	12" MEGA concrete trench drain H21.3"-21.1"	21.3	540	21.1	535	488.3
16 04701/535-530	12" MEGA concrete trench drain H21.1"-20.9"	21.1	535	20.9	530	486.1
17 04701/530-525	12" MEGA concrete trench drain H20.9"-20.7"	20.9	530	20.7	525	483.9
18 04701/525-520	12" MEGA concrete trench drain H20.7"-20.5"	20.7	525	20.5	520	481.7
19 04701/520-515	12" MEGA concrete trench drain H20.5"-20.3"	20.5	520	20.3	515	479.5
20 04701/515-510	12" MEGA concrete trench drain H20.3"-20.1"	20.3	515	20.1	510	477.3
21 04701/510-505	12" MEGA concrete trench drain H20.1"-19.9"	20.1	510	19.9	505	475.1
22 04701/505-500	12" MEGA concrete trench drain H19.9"-19.7"	19.9	505	19.7	500	472.9
23 04701/500-495	12" MEGA concrete trench drain H19.7"-19.5"	19.7	500	19.5	495	470.7
24 04701/495-490	12" MEGA concrete trench drain H19.5"-19.3"	19.5	495	19.3	490	468.5
25 04701/490-485	12" MEGA concrete trench drain H19.3"-19.1"	19.3	490	19.1	485	466.3
26 04701/485-480	12" MEGA concrete trench drain H19.1"-18.9"	19.1	485	18.9	480	464.1
27 04701/480-475	12" MEGA concrete trench drain H18.9"-18.7"	18.9	480	18.7	475	461.9
28 04701/475-470	12" MEGA concrete trench drain H18.7"-18.5"	18.7	475	18.5	470	459.7
29 04701/470-465	12" MEGA concrete trench drain H18.5"-18.3"	18.5	470	18.3	465	457.5
30 04701/465-460	12" MEGA concrete trench drain H18.3"-18.1"	18.3	465	18.1	460	455.3
31 04701/460-455	12" MEGA concrete trench drain H18.1"-17.9"	18.1	460	17.9	455	453.0
32 04701/455-450	12" MEGA concrete trench drain H17.9"-17.7"	17.9	455	17.7	450	450.8
33 04701/450-445	12" MEGA concrete trench drain H17.7"-17.5"	17.7	450	17.5	445	448.6
34 04701/445-440	12" MEGA concrete trench drain H17.5"-17.3"	17.5	445	17.3	440	446.4
35 04701/440-435	12" MEGA concrete trench drain H17.3"-17.1"	17.3	440	17.1	435	444.2
36 04701/435-430	12" MEGA concrete trench drain H17.1"-16.9"	17.1	435	16.9	430	442.0
37 04701/430-425	12" MEGA concrete trench drain H16.9"-16.7"	16.9	430	16.7	425	439.8
38 04701/425-420	12" MEGA concrete trench drain H16.7"-16.5"	16.7	425	16.5	420	437.6
39 04701/420-415	12" MEGA concrete trench drain H16.5"-16.3"	16.5	420	16.3	415	435.4
40 04701/415-410	12" MEGA concrete trench drain H16.3"-16.1"	16.3	415	16.1	410	433.2
41 04701/410-405	12" MEGA concrete trench drain H16.1"-15.9"	16.1	410	15.9	405	431.0
42 04701/405-400	12" MEGA concrete trench drain H15.9"-15.7"	15.9	405	15.7	400	428.8
43 04701/400-395	12" MEGA concrete trench drain H15.7"-15.6"	15.7	400	15.6	395	426.6
44 04701/395-390	12" MEGA concrete trench drain H15.6"-15.4"	15.6	395	15.4	390	424.4
45 04701/390-385	12" MEGA concrete trench drain H15.4"-15.2"	15.4	390	15.2	385	422.2
46 04701/385-380	12" MEGA concrete trench drain H15.2"-15.0"	15.2	385	15.0	380	420.0
47 04701/380-375	12" MEGA concrete trench drain H15.0"-14.8"	15.0	380	14.8	375	417.8
48 04701/375-370	12" MEGA concrete trench drain H14.8"-14.6"	14.8	375	14.6	370	415.6
49 04701/370-365	12" MEGA concrete trench drain H14.6"-14.4"	14.6	370	14.4	365	413.4
50 04701/365-360	12" MEGA concrete trench drain H14.4"-14.2"	14.4	365	14.2	360	411.2
51 04701/360-355	12" MEGA concrete trench drain H14.2"-14.0"	14.2	360	14.0	355	409.0
52 04701/355-350	12" MEGA concrete trench drain H14.0"-13.8"	14.0	355	13.8	350	406.8
53 04701/350-345	12" MEGA concrete trench drain H13.8"-13.6"	13.8	350	13.6	345	404.6
54 04701/345-340	12" MEGA concrete trench drain H13.6"-13.4"	13.6	345	13.4	340	402.4
55 04701/340-335	12" MEGA concrete trench drain H13.4"-13.2"	13.4	340	13.2	335	400.2
56 04701/335-330	12" MEGA concrete trench drain H13.2"-13.0"	13.2	335	13.0	330	398.0
57 04701/330-325	12" MEGA concrete trench drain H13.0"-12.8"	13.0	330	12.8	325	395.8



Channels can be produced with vertical outlet

Article	Name	Height, H		Height, h		Weight lbs
		in	mm	in	mm	
58 04701/325-320	12" MEGA concrete trench drain H12.8"-12.6"	12.8	325	12.6	320	393.7
59 04701/320-315	12" MEGA concrete trench drain H12.6"-12.4"	12.6	320	12.4	315	391.3
60 04701/315-310	12" MEGA concrete trench drain H12.4"-12.2"	12.4	315	12.2	310	388.9
61 04701/310-305	12" MEGA concrete trench drain H12.2"-12.0"	12.2	310	12.0	305	386.5
62 04701/305-300	12" MEGA concrete trench drain H12.0"-11.8"	12.0	305	11.8	300	384.0
63 04701/300-295	12" MEGA concrete trench drain H11.8"-11.6"	11.8	300	11.6	295	381.6
64 04701/295-290	12" MEGA concrete trench drain H11.6"-11.4"	11.6	295	11.4	290	379.2
65 04701/290-285	12" MEGA concrete trench drain H11.4"-11.2"	11.4	290	11.2	285	376.8
66 04701/285-280	12" MEGA concrete trench drain H11.2"-11.0"	11.2	285	11.0	280	374.3
67 04701/280-275	12" MEGA concrete trench drain H11.0"-10.8"	11.0	280	10.8	275	371.9
68 04701/275-270	12" MEGA concrete trench drain H10.8"-10.6"	10.8	275	10.6	270	369.5
69 04701/270-265	12" MEGA concrete trench drain H10.6"-10.4"	10.6	270	10.4	265	367.1
70 04701/265-260	12" MEGA concrete trench drain H10.4"-10.2"	10.4	265	10.2	260	364.6

Article	Name	Height, H		Height, h		Weight lbs
		in	mm	in	mm	
1 04701/610-600	12" MEGA concrete trench drain H24.0"-23.6"	24.0	610	23.6	600	519.2
2 04701/600-590	12" MEGA concrete trench drain H23.6"-23.2"	23.6	600	23.2	590	514.8
3 04701/590-580	12" MEGA concrete trench drain H23.2"-22.8"	23.2	590	22.8	580	510.4
4 04701/580-570	12" MEGA concrete trench drain H22.8"-22.4"	22.8	580	22.4	570	506.0
5 04701/570-560	12" MEGA concrete trench drain H22.4"-22.0"	22.4	570	22.0	560	501.6
6 04701/560-550	12" MEGA concrete trench drain H22.0"-21.7"	22.0	560	21.7	550	497.1
7 04701/550-540	12" MEGA concrete trench drain H21.7"-21.3"	21.7	550	21.3	540	492.7
8 04701/540-530	12" MEGA concrete trench drain H21.3"-20.9"	21.3	540	20.9	530	488.3
9 04701/530-520	12" MEGA concrete trench drain H20.9"-20.5"	20.9	530	20.5	520	483.9
10 04701/520-510	12" MEGA concrete trench drain H20.5"-20.1"	20.5	520	20.1	510	479.5
11 04701/510-500	12" MEGA concrete trench drain H20.1"-19.7"	20.1	510	19.7	500	475.1
12 04701/500-490	12" MEGA concrete trench drain H19.7"-19.3"	19.7	500	19.3	490	470.7
13 04701/490-480	12" MEGA concrete trench drain H19.3"-18.9"	19.3	490	18.9	480	466.3
14 04701/480-470	12" MEGA concrete trench drain H18.9"-18.5"	18.9	480	18.5	470	461.9
15 04701/470-460	12" MEGA concrete trench drain H18.5"-18.1"	18.5	470	18.1	460	457.5
16 04701/460-450	12" MEGA concrete trench drain H18.1"-17.7"	18.1	460	17.7	450	453.0
17 04701/450-440	12" MEGA concrete trench drain H17.7"-17.3"	17.7	450	17.3	440	448.6
18 04701/440-430	12" MEGA concrete trench drain H17.3"-16.9"	17.3	440	16.9	430	444.2
19 04701/430-420	12" MEGA concrete trench drain H16.9"-16.5"	16.9	430	16.5	420	439.8
20 04701/420-410	12" MEGA concrete trench drain H16.5"-16.1"	16.5	420	16.1	410	435.4
21 04701/410-400	12" MEGA concrete trench drain H16.1"-15.7"	16.1	410	15.7	400	431.0
22 04701/400-390	12" MEGA concrete trench drain H15.7"-15.4"	15.7	400	15.4	390	426.6
23 04701/390-380	12" MEGA concrete trench drain H15.4"-15.0"	15.4	390	15.0	380	422.2
24 04701/380-370	12" MEGA concrete trench drain H15.0"-14.6"	15.0	380	14.6	370	417.8
25 04701/370-360	12" MEGA concrete trench drain H14.6"-14.2"	14.6	370	14.2	360	413.4
26 04701/360-350	12" MEGA concrete trench drain H14.2"-13.8"	14.2	360	13.8	350	409.0
27 04701/350-340	12" MEGA concrete trench drain H13.8"-13.4"	13.8	350	13.4	340	404.6
28 04701/340-330	12" MEGA concrete trench drain H13.4"-13.0"	13.4	340	13.0	330	400.2
29 04701/330-320	12" MEGA concrete trench drain H13.0"-12.6"	13.0	330	12.6	320	395.8
30 04701/320-310	12" MEGA concrete trench drain H12.6"-12.2"	12.6	320	12.2	310	391.3
31 04701/310-300	12" MEGA concrete trench drain H12.2"-11.8"	12.2	310	11.8	300	386.5
32 04701/300-290	12" MEGA concrete trench drain H11.8"-11.4"	11.8	300	11.4	290	381.6
33 04701/290-280	12" MEGA concrete trench drain H11.4"-11.0"	11.4	290	11.0	280	376.8
34 04701/280-270	12" MEGA concrete trench drain H11.0"-10.6"	11.0	280	10.6	270	371.9
35 04701/270-260	12" MEGA concrete trench drain H10.6"-10.2"	10.6	270	10.2	260	367.1

DRAIN



12" End Cap

Article	End Cap Name	For Channel Height, in	
1	6771/610	12" MEGA concrete end cap H24.0"	24.0
2	6771/605	12" MEGA concrete end cap H23.8"	23.8
3	6771/600	12" MEGA concrete end cap H23.6"	23.6
4	6771/595	12" MEGA concrete end cap H23.4"	23.4
5	6771/590	12" MEGA concrete end cap H23.2"	23.2
6	6771/585	12" MEGA concrete end cap H23.0"	23.0
7	6771/580	12" MEGA concrete end cap H22.8"	22.8
8	6771/575	12" MEGA concrete end cap H22.6"	22.6
9	6771/570	12" MEGA concrete end cap H22.4"	22.4
10	6771/565	12" MEGA concrete end cap H22.2"	22.2
11	6771/560	12" MEGA concrete end cap H22.0"	22.0
12	6771/555	12" MEGA concrete end cap H21.9"	21.9
13	6771/550	12" MEGA concrete end cap H21.7"	21.7
14	6771/545	12" MEGA concrete end cap H21.5"	21.5
15	6771/540	12" MEGA concrete end cap H21.3"	21.3
16	6771/535	12" MEGA concrete end cap H21.1"	21.1
17	6771/530	12" MEGA concrete end cap H20.9"	20.9
18	6771/525	12" MEGA concrete end cap H20.7"	20.7
19	6771/520	12" MEGA concrete end cap H20.5"	20.5
20	6771/515	12" MEGA concrete end cap H20.3"	20.3
21	6771/510	12" MEGA concrete end cap H20.1"	20.1
22	6771/505	12" MEGA concrete end cap H19.9"	19.9
23	6771/500	12" MEGA concrete end cap H19.7"	19.7
24	6771/495	12" MEGA concrete end cap H19.5"	19.5
25	6771/490	12" MEGA concrete end cap H19.3"	19.3
26	6771/485	12" MEGA concrete end cap H19.1"	19.1
27	6771/480	12" MEGA concrete end cap H18.9"	18.9
28	6771/475	12" MEGA concrete end cap H18.7"	18.7
29	6771/470	12" MEGA concrete end cap H18.5"	18.5
30	6771/465	12" MEGA concrete end cap H18.3"	18.3
31	6771/460	12" MEGA concrete end cap H18.1"	18.1
32	6771/455	12" MEGA concrete end cap H17.9"	17.9
33	6771/450	12" MEGA concrete end cap H17.7"	17.7
34	6771/445	12" MEGA concrete end cap H17.5"	17.5
35	6771/440	12" MEGA concrete end cap H17.3"	17.3
36	6771/435	12" MEGA concrete end cap H17.1"	17.1



End Caps can be produced with horizontal outlet

Article	End Cap Name	For Channel Height, in	
37	6771/430	12" MEGA concrete end cap H16.9"	16.9
38	6771/425	12" MEGA concrete end cap H16.7"	16.7
39	6771/420	12" MEGA concrete end cap H16.5"	16.5
40	6771/415	12" MEGA concrete end cap H16.3"	16.3
41	6771/410	12" MEGA concrete end cap H16.1"	16.1
42	6771/405	12" MEGA concrete end cap H15.9"	15.9
43	6771/400	12" MEGA concrete end cap H15.7"	15.7
44	6771/395	12" MEGA concrete end cap H15.6"	15.6
45	6771/390	12" MEGA concrete end cap H15.4"	15.4
46	6771/385	12" MEGA concrete end cap H15.2"	15.2
47	6771/380	12" MEGA concrete end cap H15.0"	15.0
48	6771/375	12" MEGA concrete end cap H14.8"	14.8
49	6771/370	12" MEGA concrete end cap H14.6"	14.6
50	6771/365	12" MEGA concrete end cap H14.4"	14.4
51	6771/360	12" MEGA concrete end cap H14.2"	14.2
52	6771/355	12" MEGA concrete end cap H14.0"	14.0
53	6771/350	12" MEGA concrete end cap H13.8"	13.8
54	6771/345	12" MEGA concrete end cap H13.6"	13.6
55	6771/340	12" MEGA concrete end cap H13.4"	13.4
56	6771/335	12" MEGA concrete end cap H13.2"	13.2
57	6771/330	12" MEGA concrete end cap H13.0"	13.0
58	6771/325	12" MEGA concrete end cap H12.8"	12.8
59	6771/320	12" MEGA concrete end cap H12.6"	12.6
60	6771/315	12" MEGA concrete end cap H12.4"	12.4
61	6771/310	12" MEGA concrete end cap H12.2"	12.2
62	6771/305	12" MEGA concrete end cap H12.0"	12.0
63	6771/300	12" MEGA concrete end cap H11.8"	11.8
64	6771/295	12" MEGA concrete end cap H11.6"	11.6
65	6771/290	12" MEGA concrete end cap H11.4"	11.4
66	6771/285	12" MEGA concrete end cap H11.2"	11.2
67	6771/280	12" MEGA concrete end cap H11.0"	11.0
68	6771/275	12" MEGA concrete end cap H10.8"	10.8
69	6771/270	12" MEGA concrete end cap H10.6"	10.6
70	6771/265	12" MEGA concrete end cap H10.4"	10.4
71	6771/260	12" MEGA concrete end cap H10.2"	10.2

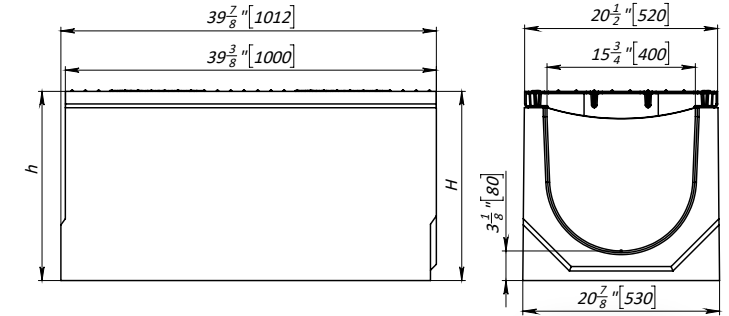


MEGA 400FC system

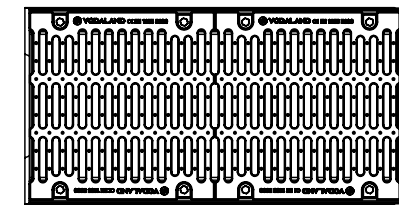
16" MEGA concrete trench drain E600



E 600



16" Catch Basin can be used as a Inline catch basin for this channel.



For installation use bracket art. 61741-BM

CASCADED SLOPE



Channels can be produced with vertical outlet

Article	Name	Height		Weight lbs	
		in	mm		
1	04800/610	16" MEGA concrete trench drain H24.0"	24.0	610	760.9
2	04800/605	16" MEGA concrete trench drain H23.8"	23.8	605	757.9
3	04800/600	16" MEGA concrete trench drain H23.6"	23.6	600	754.9
4	04800/595	16" MEGA concrete trench drain H23.4"	23.4	595	751.9
5	04800/590	16" MEGA concrete trench drain H23.2"	23.2	590	748.9
6	04800/585	16" MEGA concrete trench drain H23.0"	23.0	585	745.9
7	04800/580	16" MEGA concrete trench drain H22.8"	22.8	580	742.9
8	04800/575	16" MEGA concrete trench drain H22.6"	22.6	575	739.9
9	04800/570	16" MEGA concrete trench drain H22.4"	22.4	570	736.9
10	04800/565	16" MEGA concrete trench drain H22.2"	22.2	565	733.9
11	04800/560	16" MEGA concrete trench drain H22.0"	22.0	560	730.8
12	04800/555	16" MEGA concrete trench drain H21.9"	21.9	555	727.8
13	04800/550	16" MEGA concrete trench drain H21.7"	21.7	550	724.8
14	04800/545	16" MEGA concrete trench drain H21.5"	21.5	545	721.7
15	04800/540	16" MEGA concrete trench drain H21.3"	21.3	540	718.7
16	04800/535	16" MEGA concrete trench drain H21.1"	21.1	535	715.7
17	04800/530	16" MEGA concrete trench drain H20.9"	20.9	530	712.7
18	04800/525	16" MEGA concrete trench drain H20.7"	20.7	525	709.6
19	04800/520	16" MEGA concrete trench drain H20.5"	20.5	520	706.6
20	04800/515	16" MEGA concrete trench drain H20.3"	20.3	515	703.5
21	04800/510	16" MEGA concrete trench drain H20.1"	20.1	510	700.5
22	04800/505	16" MEGA concrete trench drain H19.9"	19.9	505	697.5
23	04800/500	16" MEGA concrete trench drain H19.7"	19.7	500	694.4
24	04800/495	16" MEGA concrete trench drain H19.5"	19.5	495	691.4
25	04800/490	16" MEGA concrete trench drain H19.3"	19.3	490	688.3
26	04800/485	16" MEGA concrete trench drain H19.1"	19.1	485	685.3
27	04800/480	16" MEGA concrete trench drain H18.9"	18.9	480	682.2
28	04800/475	16" MEGA concrete trench drain H18.7"	18.7	475	679.1
29	04800/470	16" MEGA concrete trench drain H18.5"	18.5	470	676.0
30	04800/465	16" MEGA concrete trench drain H18.3"	18.3	465	672.9
31	04800/460	16" MEGA concrete trench drain H18.1"	18.1	460	669.8
32	04800/455	16" MEGA concrete trench drain H17.9"	17.9	455	666.7
33	04800/450	16" MEGA concrete trench drain H17.7"	17.7	450	663.5

DRAIN

Article	Name	Height		Weight lbs	
		in	mm		
34	04800/445	16" MEGA concrete trench drain H17.5"	17.5	445	660.4
35	04800/440	16" MEGA concrete trench drain H17.3"	17.3	440	657.2
36	04800/435	16" MEGA concrete trench drain H17.1"	17.1	435	654.0
37	04800/430	16" MEGA concrete trench drain H16.9"	16.9	430	650.8
38	04800/425	16" MEGA concrete trench drain H16.7"	16.7	425	647.7
39	04800/420	16" MEGA concrete trench drain H16.5"	16.5	420	644.4
40	04800/415	16" MEGA concrete trench drain H16.3"	16.3	415	641.2
41	04800/410	16" MEGA concrete trench drain H16.1"	16.1	410	638.0
42	04800/405	16" MEGA concrete trench drain H15.9"	15.9	405	634.7
43	04800/400	16" MEGA concrete trench drain H15.7"	15.7	400	631.5
44	04800/395	16" MEGA concrete trench drain H15.6"	15.6	395	628.2
45	04800/390	16" MEGA concrete trench drain H15.4"	15.4	390	624.9
46	04800/385	16" MEGA concrete trench drain H15.2"	15.2	385	621.6
47	04800/380	16" MEGA concrete trench drain H15.0"	15.0	380	618.3
48	04800/375	16" MEGA concrete trench drain H14.8"	14.8	375	615.0
49	04800/370	16" MEGA concrete trench drain H14.6"	14.6	370	611.6
50	04800/365	16" MEGA concrete trench drain H14.4"	14.4	365	608.3
51	04800/360	16" MEGA concrete trench drain H14.2"	14.2	360	604.9
52	04800/355	16" MEGA concrete trench drain H14.0"	14.0	355	601.5
53	04800/350	16" MEGA concrete trench drain H13.8"	13.8	350	598.2
54	04800/345	16" MEGA concrete trench drain H13.6"	13.6	345	594.8
55	04800/340	16" MEGA concrete trench drain H13.4"	13.4	340	591.3
56	04800/335	16" MEGA concrete trench drain H13.2"	13.2	335	587.9
57	04800/330	16" MEGA concrete trench drain H13.0"	13.0	330	584.5



Channels can be produced with vertical outlet

Article	Name	Height, H		Height, h		Weight lbs	
		in	mm	in	mm		
1	04800/610-605	16" MEGA concrete trench drain H24.0"-23.8"	24.0	610	23.8	605	759.4
2	04800/605-600	16" MEGA concrete trench drain H23.8"-23.6"	23.8	605	23.6	600	756.4
3	04800/600-595	16" MEGA concrete trench drain H23.6"-23.4"	23.6	600	23.4	595	753.4
4	04800/595-590	16" MEGA concrete trench drain H23.4"-23.2"	23.4	595	23.2	590	750.4
5	04800/590-585	16" MEGA concrete trench drain H23.2"-23.0"	23.2	590	23.0	585	747.4
6	04800/585-580	16" MEGA concrete trench drain H23.0"-22.8"	23.0	585	22.8	580	744.4
7	04800/580-575	16" MEGA concrete trench drain H22.8"-22.6"	22.8	580	22.6	575	741.4
8	04800/575-570	16" MEGA concrete trench drain H22.6"-22.4"	22.6	575	22.4	570	738.4
9	04800/570-565	16" MEGA concrete trench drain H22.4"-22.2"	22.4	570	22.2	565	735.4
10	04800/565-560	16" MEGA concrete trench drain H22.2"-22.0"	22.2	565	22.0	560	732.3
11	04800/560-555	16" MEGA concrete trench drain H22.0"-21.9"	22.0	560	21.9	555	729.3
12	04800/555-550	16" MEGA concrete trench drain H21.9"-21.7"	21.9	555	21.7	550	726.3
13	04800/550-545	16" MEGA concrete trench drain H21.7"-21.5"	21.7	550	21.5	545	723.3
14	04800/545-540	16" MEGA concrete trench drain H21.5"-21.3"	21.5	545	21.3	540	720.2
15	04800/540-535	16" MEGA concrete trench drain H21.3"-21.1"	21.3	540	21.1	535	717.2
16	04800/535-530	16" MEGA concrete trench drain H21.1"-20.9"	21.1	535	20.9	530	714.2
17	04800/530-252	16" MEGA concrete trench drain H20.9"-20.7"	20.9	530	20.7	525	711.1
18	04800/525-520	16" MEGA concrete trench drain H20.7"-20.5"	20.7	525	20.5	520	708.1
19	04800/520-515	16" MEGA concrete trench drain H20.5"-20.3"	20.5	520	20.3	515	705.1
20	04800/515-510	16" MEGA concrete trench drain H20.3"-20.1"	20.3	515	20.1	510	702.0
21	04800/510-505	16" MEGA concrete trench drain H20.1"-19.9"	20.1	510	19.9	505	699.0
22	04800/505-500	16" MEGA concrete trench drain H19.9"-19.7"	19.9	505	19.7	500	695.9
23	04800/500-495	16" MEGA concrete trench drain H19.7"-19.5"	19.7	500	19.5	495	692.9
24	04800/495-490	16" MEGA concrete trench drain H19.5"-19.3"	19.5	495	19.3	490	689.8
25	04800/490-485	16" MEGA concrete trench drain H19.3"-19.1"	19.3	490	19.1	485	686.8
26	04800/485-480	16" MEGA concrete trench drain H19.1"-18.9"	19.1	485	18.9	480	683.7
27	04800/480-475	16" MEGA concrete trench drain H18.9"-18.7"	18.9	480	18.7	475	680.7
28	04800/475-470	16" MEGA concrete trench drain H18.7"-18.5"	18.7	475	18.5	470	677.6
29	04800/470-465	16" MEGA concrete trench drain H18.5"-18.3"	18.5	470	18.3	465	674.5
30	04800/465-460	16" MEGA concrete trench drain H18.3"-18.1"	18.3	465	18.1	460	671.4
31	04800/460-455	16" MEGA concrete trench drain H18.1"-17.9"	18.1	460	17.9	455	668.2
32	04800/455-450	16" MEGA concrete trench drain H17.9"-17.7"	17.9	455	17.7	450	665.1



Channels can be produced with vertical outlet

Article	Name	Height, H		Height, h		Weight lbs	
		in	mm	in	mm		
33	04800/450-445	16" MEGA concrete trench drain H17.7"-17.5"	17.7	450	17.5	445	662.0
34	04800/445-440	16" MEGA concrete trench drain H17.5"-17.3"	17.5	445	17.3	440	658.8
35	04800/440-435	16" MEGA concrete trench drain H17.3"-17.1"	17.3	440	17.1	435	655.6
36	04800/435-430	16" MEGA concrete trench drain H17.1"-16.9"	17.1	435	16.9	430	652.5
37	04800/430-425	16" MEGA concrete trench drain H16.9"-16.7"	16.9	430	16.7	425	649.3
38	04800/425-420	16" MEGA concrete trench drain H16.7"-16.5"	16.7	425	16.5	420	646.0
39	04800/420-415	16" MEGA concrete trench drain H16.5"-16.3"	16.5	420	16.3	415	642.8
40	04800/415-410	16" MEGA concrete trench drain H16.3"-16.1"	16.3	415	16.1	410	639.6
41	04800/410-405	16" MEGA concrete trench drain H16.1"-15.9"	16.1	410	15.9	405	636.4
42	04800/405-400	16" MEGA concrete trench drain H15.9"-15.7"	15.9	405	15.7	400	633.1
43	04800/400-395	16" MEGA concrete trench drain H15.7"-15.6"	15.7	400	15.6	395	629.8
44	04800/395-390	16" MEGA concrete trench drain H15.6"-15.4"	15.6	395	15.4	390	626.6
45	04800/390-385	16" MEGA concrete trench drain H15.4"-15.2"	15.4	390	15.2	385	623.2
46	04800/385-380	16" MEGA concrete trench drain H15.2"-15.0"	15.2	385	15.0	380	619.9
47	04800/380-375	16" MEGA concrete trench drain H15.0"-14.8"	15.0	380	14.8	375	616.6
48	04800/375-370	16" MEGA concrete trench drain H14.8"-14.6"	14.8	375	14.6	370	613.3
49	04800/370-365	16" MEGA concrete trench drain H14.6"-14.4"	14.6	370	14.4	365	610.0
50	04800/365-360	16" MEGA concrete trench drain H14.4"-14.2"	14.4	365	14.2	360	606.6
51	04800/360-355	16" MEGA concrete trench drain H14.2"-14.0"	14.2	360	14.0	355	603.2
52	04800/355-350	16" MEGA concrete trench drain H14.0"-13.8"	14.0	355	13.8	350	599.9
53	04800/350-345	16" MEGA concrete trench drain H13.8"-13.6"	13.8	350	13.6	345	596.5
54	04800/345-340	16" MEGA concrete trench drain H13.6"-13.4"	13.6	345	13.4	340	593.0
55	04800/340-335	16" MEGA concrete trench drain H13.4"-13.2"	13.4	340	13.2	335	589.6
56	04800/335-330	16" MEGA concrete trench drain H13.2"-13.0"	13.2	335	13.0	330	586.2

Article	Name	Height, H		Height, h		Weight lbs	
		in	mm	in	mm		
1	04800/610-600	16" MEGA concrete trench drain H24.0"-23.6"	24.0	610	23.6	600	759.4
2	04800/600-590	16" MEGA concrete trench drain H23.6"-23.2"	23.6	600	23.2	590	753.4
3	04800/590-580	16" MEGA concrete trench drain H23.2"-22.8"	23.2	590	22.8	580	747.4
4	04800/580-570	16" MEGA concrete trench drain H22.8"-22.4"	22.8	580	22.4	570	741.4
5	04800/570-560	16" MEGA concrete trench drain H22.4"-22.0"	22.4	570	22.0	560	735.4
6	04800/560-550	16" MEGA concrete trench drain H22.0"-21.7"	22.0	560	21.7	550	729.3
7	04800/550-540	16" MEGA concrete trench drain H21.7"-21.3"	21.7	550	21.3	540	723.3
8	04800/540-530	16" MEGA concrete trench drain H21.3"-20.9"	21.3	540	20.9	530	717.2
9	04800/530-250	16" MEGA concrete trench drain H20.9"-20.5"	20.9	530	20.5	520	711.1
10	04800/520-510	16" MEGA concrete trench drain H20.5"-20.1"	20.5	520	20.1	510	705.1
11	04800/510-500	16" MEGA concrete trench drain H20.1"-19.7"	20.1	510	19.7	500	699.0
12	04800/500-490	16" MEGA concrete trench drain H19.7"-19.3"	19.7	500	19.3	490	692.9
13	04800/490-480	16" MEGA concrete trench drain H19.3"-18.9"	19.3	490	18.9	480	686.8
14	04800/480-470	16" MEGA concrete trench drain H18.9"-18.5"	18.9	480	18.5	470	680.7
15	04800/470-460	16" MEGA concrete trench drain H18.5"-18.1"	18.5	470	18.1	460	674.5
16	04800/460-450	16" MEGA concrete trench drain H18.1"-17.7"	18.1	460	17.7	450	668.2
17	04800/450-440	16" MEGA concrete trench drain H17.7"-17.3"	17.7	450	17.3	440	662.0
18	04800/440-430	16" MEGA concrete trench drain H17.3"-16.9"	17.3	440	16.9	430	655.6
19	04800/430-420	16" MEGA concrete trench drain H16.9"-16.5"	16.9	430	16.5	420	649.3
20	04800/420-410	16" MEGA concrete trench drain H16.5"-16.1"	16.5	420	16.1	410	642.8
21	04800/410-400	16" MEGA concrete trench drain H16.1"-15.7"	16.1	410	15.7	400	636.4
22	04800/400-390	16" MEGA concrete trench drain H15.7"-15.4"	15.7	400	15.4	390	629.8
23	04800/390-380	16" MEGA concrete trench drain H15.4"-15.0"	15.4	390	15.0	380	623.2
24	04800/380-370	16" MEGA concrete trench drain H15.0"-14.6"	15.0	380	14.6	370	616.6
25	04800/370-360	16" MEGA concrete trench drain H14.6"-14.2"	14.6	370	14.2	360	610.0
26	04800/360-350	16" MEGA concrete trench drain H14.2"-13.8"	14.2	360	13.8	350	603.2
27	04800/350-340	16" MEGA concrete trench drain H13.8"-13.4"	13.8	350	13.4	340	596.5
28	04800/340-330	16" MEGA concrete trench drain H13.4"-13.0"	13.4	340	13.0	330	589.6



16" End Cap

Article	End Cap Name	For Channel Height, in	
1	6781/610	16" MEGA concrete end cap H24.0"	24.0
2	6781/605	16" MEGA concrete end cap H23.8"	23.8
3	6781/600	16" MEGA concrete end cap H23.6"	23.6
4	6781/595	16" MEGA concrete end cap H23.4"	23.4
5	6781/590	16" MEGA concrete end cap H23.2"	23.2
6	6781/585	16" MEGA concrete end cap H23.0"	23.0
7	6781/580	16" MEGA concrete end cap H22.8"	22.8
8	6781/575	16" MEGA concrete end cap H22.6"	22.6
9	6781/570	16" MEGA concrete end cap H22.4"	22.4
10	6781/565	16" MEGA concrete end cap H22.2"	22.2
11	6781/560	16" MEGA concrete end cap H22.0"	22.0
12	6781/555	16" MEGA concrete end cap H21.9"	21.9
13	6781/550	16" MEGA concrete end cap H21.7"	21.7
14	6781/545	16" MEGA concrete end cap H21.5"	21.5
15	6781/540	16" MEGA concrete end cap H21.3"	21.3
16	6781/535	16" MEGA concrete end cap H21.1"	21.1
17	6781/530	16" MEGA concrete end cap H20.9"	20.9
18	6781/525	16" MEGA concrete end cap H20.7"	20.7
19	6781/520	16" MEGA concrete end cap H20.5"	20.5
20	6781/515	16" MEGA concrete end cap H20.3"	20.3
21	6781/510	16" MEGA concrete end cap H20.1"	20.1
22	6781/505	16" MEGA concrete end cap H19.9"	19.9
23	6781/500	16" MEGA concrete end cap H19.7"	19.7
24	6781/495	16" MEGA concrete end cap H19.5"	19.5
25	6781/490	16" MEGA concrete end cap H19.3"	19.3
26	6781/485	16" MEGA concrete end cap H19.1"	19.1
27	6781/480	16" MEGA concrete end cap H18.9"	18.9
28	6781/475	16" MEGA concrete end cap H18.7"	18.7
29	6781/470	16" MEGA concrete end cap H18.5"	18.5



End Caps can be produced with horizontal outlet

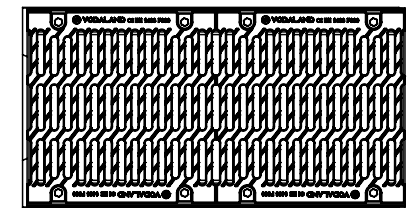
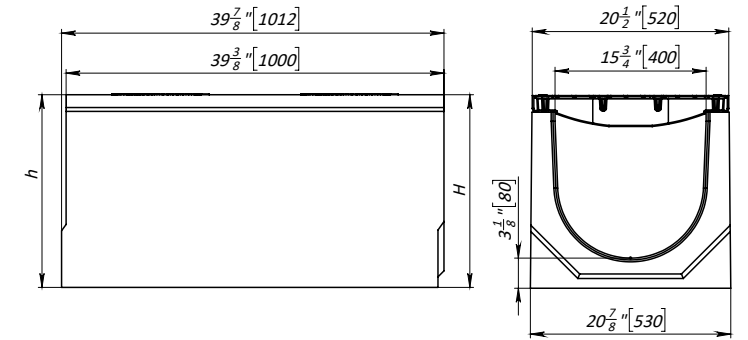
Article	End Cap Name	For Channel Height, in	
30	6781/465	16" MEGA concrete end cap H18.3"	18.3
31	6781/460	16" MEGA concrete end cap H18.1"	18.1
32	6781/455	16" MEGA concrete end cap H17.9"	17.9
33	6781/450	16" MEGA concrete end cap H17.7"	17.7
34	6781/445	16" MEGA concrete end cap H17.5"	17.5
35	6781/440	16" MEGA concrete end cap H17.3"	17.3
36	6781/435	16" MEGA concrete end cap H17.1"	17.1
37	6781/430	16" MEGA concrete end cap H16.9"	16.9
38	6781/425	16" MEGA concrete end cap H16.7"	16.7
39	6781/420	16" MEGA concrete end cap H16.5"	16.5
40	6781/415	16" MEGA concrete end cap H16.3"	16.3
41	6781/410	16" MEGA concrete end cap H16.1"	16.1
42	6781/405	16" MEGA concrete end cap H15.9"	15.9
43	6781/400	16" MEGA concrete end cap H15.7"	15.7
44	6781/395	16" MEGA concrete end cap H15.6"	15.6
45	6781/390	16" MEGA concrete end cap H15.4"	15.4
46	6781/385	16" MEGA concrete end cap H15.2"	15.2
47	6781/380	16" MEGA concrete end cap H15.0"	15.0
48	6781/375	16" MEGA concrete end cap H14.8"	14.8
49	6781/370	16" MEGA concrete end cap H14.6"	14.6
50	6781/365	16" MEGA concrete end cap H14.4"	14.4
51	6781/360	16" MEGA concrete end cap H14.2"	14.2
52	6781/355	16" MEGA concrete end cap H14.0"	14.0
53	6781/350	16" MEGA concrete end cap H13.8"	13.8
54	6781/345	16" MEGA concrete end cap H13.6"	13.6
55	6781/340	16" MEGA concrete end cap H13.4"	13.4
56	6781/335	16" MEGA concrete end cap H13.2"	13.2
57	6781/330	16" MEGA concrete end cap H13.0"	13.0



16" MEGA concrete trench drain F900



F 900



CASCADED SLOPE



Channels can be produced with vertical outlet

Article	Name	Height		Weight lbs	
		in	mm		
1	04801/610	16" MEGA concrete trench drain H24.0"	24.0	610	788.5
2	04801/605	16" MEGA concrete trench drain H23.8"	23.8	605	785.5
3	04801/600	16" MEGA concrete trench drain H23.6"	23.6	600	782.5
4	04801/595	16" MEGA concrete trench drain H23.4"	23.4	595	779.5
5	04801/590	16" MEGA concrete trench drain H23.2"	23.2	590	776.5
6	04801/585	16" MEGA concrete trench drain H23.0"	23.0	585	773.4
7	04801/580	16" MEGA concrete trench drain H22.8"	22.8	580	770.4
8	04801/575	16" MEGA concrete trench drain H22.6"	22.6	575	767.4
9	04801/570	16" MEGA concrete trench drain H22.4"	22.4	570	764.4
10	04801/565	16" MEGA concrete trench drain H22.2"	22.2	565	761.4
11	04801/560	16" MEGA concrete trench drain H22.0"	22.0	560	758.4
12	04801/555	16" MEGA concrete trench drain H21.9"	21.9	555	755.4
13	04801/550	16" MEGA concrete trench drain H21.7"	21.7	550	752.3
14	04801/545	16" MEGA concrete trench drain H21.5"	21.5	545	749.3
15	04801/540	16" MEGA concrete trench drain H21.3"	21.3	540	746.3
16	04801/535	16" MEGA concrete trench drain H21.1"	21.1	535	743.2
17	04801/530	16" MEGA concrete trench drain H20.9"	20.9	530	740.2
18	04801/525	16" MEGA concrete trench drain H20.7"	20.7	525	737.2
19	04801/520	16" MEGA concrete trench drain H20.5"	20.5	520	734.1
20	04801/515	16" MEGA concrete trench drain H20.3"	20.3	515	731.1
21	04801/510	16" MEGA concrete trench drain H20.1"	20.1	510	728.1
22	04801/505	16" MEGA concrete trench drain H19.9"	19.9	505	725.0
23	04801/500	16" MEGA concrete trench drain H19.7"	19.7	500	722.0
24	04801/495	16" MEGA concrete trench drain H19.5"	19.5	495	718.9
25	04801/490	16" MEGA concrete trench drain H19.3"	19.3	490	715.9
26	04801/485	16" MEGA concrete trench drain H19.1"	19.1	485	712.8
27	04801/480	16" MEGA concrete trench drain H18.9"	18.9	480	709.8
28	04801/475	16" MEGA concrete trench drain H18.7"	18.7	475	706.7
29	04801/470	16" MEGA concrete trench drain H18.5"	18.5	470	703.6
30	04801/465	16" MEGA concrete trench drain H18.3"	18.3	465	700.5
31	04801/460	16" MEGA concrete trench drain H18.1"	18.1	460	697.4
32	04801/455	16" MEGA concrete trench drain H17.9"	17.9	455	694.2
33	04801/450	16" MEGA concrete trench drain H17.7"	17.7	450	691.1

	Article	Name	Height		Weight
			in	mm	
34	04801/445	16" MEGA concrete trench drain H17.5"	17.5	445	688.0
35	04801/440	16" MEGA concrete trench drain H17.3"	17.3	440	684.8
36	04801/435	16" MEGA concrete trench drain H17.1"	17.1	435	681.6
37	04801/430	16" MEGA concrete trench drain H16.9"	16.9	430	678.4
38	04801/425	16" MEGA concrete trench drain H16.7"	16.7	425	675.2
39	04801/420	16" MEGA concrete trench drain H16.5"	16.5	420	672.0
40	04801/415	16" MEGA concrete trench drain H16.3"	16.3	415	668.8
41	04801/410	16" MEGA concrete trench drain H16.1"	16.1	410	665.5
42	04801/405	16" MEGA concrete trench drain H15.9"	15.9	405	662.3
43	04801/400	16" MEGA concrete trench drain H15.7"	15.7	400	659.0
44	04801/395	16" MEGA concrete trench drain H15.6"	15.6	395	655.7
45	04801/390	16" MEGA concrete trench drain H15.4"	15.4	390	652.5
46	04801/385	16" MEGA concrete trench drain H15.2"	15.2	385	649.2
47	04801/380	16" MEGA concrete trench drain H15.0"	15.0	380	645.8
48	04801/375	16" MEGA concrete trench drain H14.8"	14.8	375	642.5
49	04801/370	16" MEGA concrete trench drain H14.6"	14.6	370	639.2
50	04801/365	16" MEGA concrete trench drain H14.4"	14.4	365	635.8
51	04801/360	16" MEGA concrete trench drain H14.2"	14.2	360	632.5
52	04801/355	16" MEGA concrete trench drain H14.0"	14.0	355	629.1
53	04801/350	16" MEGA concrete trench drain H13.8"	13.8	350	625.7
54	04801/345	16" MEGA concrete trench drain H13.6"	13.6	345	622.3
55	04801/340	16" MEGA concrete trench drain H13.4"	13.4	340	618.9
56	04801/335	16" MEGA concrete trench drain H13.2"	13.2	335	615.5
57	04801/330	16" MEGA concrete trench drain H13.0"	13.0	330	612.0



! Channels can be produced with vertical outlet

	Article	Name	Height, H		Height, h		Weight
			in	mm	in	mm	
1	04801/610-605	16" MEGA concrete trench drain H24.0"-23.8"	24.0	610	23.8	605	787.0
2	04801/605-600	16" MEGA concrete trench drain H23.8"-23.6"	23.8	605	23.6	600	784.0
3	04801/600-595	16" MEGA concrete trench drain H23.6"-23.4"	23.6	600	23.4	595	781.0
4	04801/595-590	16" MEGA concrete trench drain H23.4"-23.2"	23.4	595	23.2	590	778.0
5	04801/590-585	16" MEGA concrete trench drain H23.2"-23.0"	23.2	590	23.0	585	775.0
6	04801/585-580	16" MEGA concrete trench drain H23.0"-22.8"	23.0	585	22.8	580	771.9
7	04801/580-575	16" MEGA concrete trench drain H22.8"-22.6"	22.8	580	22.6	575	768.9
8	04801/575-570	16" MEGA concrete trench drain H22.6"-22.4"	22.6	575	22.4	570	765.9
9	04801/570-565	16" MEGA concrete trench drain H22.4"-22.2"	22.4	570	22.2	565	762.9
10	04801/565-560	16" MEGA concrete trench drain H22.2"-22.0"	22.2	565	22.0	560	759.9
11	04801/560-555	16" MEGA concrete trench drain H22.0"-21.9"	22.0	560	21.9	555	756.9
12	04801/555-550	16" MEGA concrete trench drain H21.9"-21.7"	21.9	555	21.7	550	753.8
13	04801/550-545	16" MEGA concrete trench drain H21.7"-21.5"	21.7	550	21.5	545	750.8
14	04801/545-540	16" MEGA concrete trench drain H21.5"-21.3"	21.5	545	21.3	540	747.8
15	04801/540-535	16" MEGA concrete trench drain H21.3"-21.1"	21.3	540	21.1	535	744.8
16	04801/535-530	16" MEGA concrete trench drain H21.1"-20.9"	21.1	535	20.9	530	741.7
17	04801/530-252	16" MEGA concrete trench drain H20.9"-20.7"	20.9	530	20.7	525	738.7
18	04801/525-520	16" MEGA concrete trench drain H20.7"-20.5"	20.7	525	20.5	520	735.7
19	04801/520-515	16" MEGA concrete trench drain H20.5"-20.3"	20.5	520	20.3	515	732.6
20	04801/515-510	16" MEGA concrete trench drain H20.3"-20.1"	20.3	515	20.1	510	729.6
21	04801/510-505	16" MEGA concrete trench drain H20.1"-19.9"	20.1	510	19.9	505	726.6
22	04801/505-500	16" MEGA concrete trench drain H19.9"-19.7"	19.9	505	19.7	500	723.5
23	04801/500-495	16" MEGA concrete trench drain H19.7"-19.5"	19.7	500	19.5	495	720.4
24	04801/495-490	16" MEGA concrete trench drain H19.5"-19.3"	19.5	495	19.3	490	717.4
25	04801/490-485	16" MEGA concrete trench drain H19.3"-19.1"	19.3	490	19.1	485	714.3
26	04801/485-480	16" MEGA concrete trench drain H19.1"-18.9"	19.1	485	18.9	480	711.3
27	04801/480-475	16" MEGA concrete trench drain H18.9"-18.7"	18.9	480	18.7	475	708.2
28	04801/475-470	16" MEGA concrete trench drain H18.7"-18.5"	18.7	475	18.5	470	705.1
29	04801/470-465	16" MEGA concrete trench drain H18.5"-18.3"	18.5	470	18.3	465	702.0



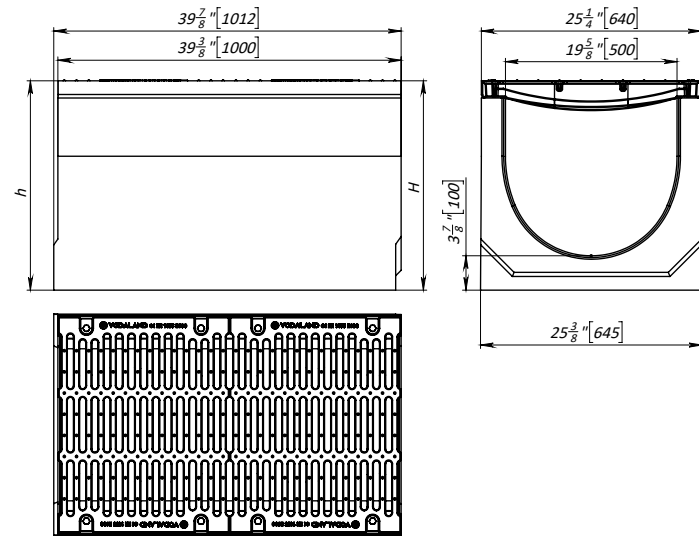
! Channels can be produced with vertical outlet

	Article	Name	Height, H		Height, h		Weight
			in	mm	in	mm	
30	04801/465-460	16" MEGA concrete trench drain H18.3"-18.1"	18.3	465	18.1	460	698.9
31	04801/460-455	16" MEGA concrete trench drain H18.1"-17.9"	18.1	460	17.9	455	695.8
32	04801/455-450	16" MEGA concrete trench drain H17.9"-17.7"	17.9	455	17.7	450	692.7
33	04801/450-445	16" MEGA concrete trench drain H17.7"-17.5"	17.7	450	17.5	445	689.5
34	04801/445-440	16" MEGA concrete trench drain H17.5"-17.3"	17.5	445	17.3	440	686.4
35	04801/440-435	16" MEGA concrete trench drain H17.3"-17.1"	17.3	440	17.1	435	683.2
36	04801/435-430	16" MEGA concrete trench drain H17.1"-16.9"	17.1	435	16.9	430	680.0
37	04801/430-425	16" MEGA concrete trench drain H16.9"-16.7"	16.9	430	16.7	425	676.8
38	04801/425-420	16" MEGA concrete trench drain H16.7"-16.5"	16.7	425	16.5	420	673.6
39	04801/420-415	16" MEGA concrete trench drain H16.5"-16.3"	16.5	420	16.3	415	670.4
40	04801/415-410	16" MEGA concrete trench drain H16.3"-16.1"	16.3	415	16.1	410	667.2
41	04801/410-405	16" MEGA concrete trench drain H16.1"-15.9"	16.1	410	15.9	405	663.9
42	04801/405-400	16" MEGA concrete trench drain H15.9"-15.7"	15.9	405	15.7	400	660.7
43	04801/400-395	16" MEGA concrete trench drain H15.7"-15.6"	15.7	400	15.6	395	657.4
44	04801/395-390	16" MEGA concrete trench drain H15.6"-15.4"	15.6	395	15.4	390	654.1
45	04801/390-385	16" MEGA concrete trench drain H15.4"-15.2"	15.4	390	15.2	385	650.8
46	04801/385-380	16" MEGA concrete trench drain H15.2"-15.0"	15.2	385	15.0	380	647.5
47	04801/380-375	16" MEGA concrete trench drain H15.0"-14.8"	15.0	380	14.8	375	644.2
48	04801/375-370	16" MEGA concrete trench drain H14.8"-14.6"	14.8	375	14.6	370	640.9
49	04801/370-365	16" MEGA concrete trench drain H14.6"-14.4"	14.6	370	14.4	365	637.5
50	04801/365-360	16" MEGA concrete trench drain H14.4"-14.2"	14.4	365	14.2	360	634.2
51	04801/360-355	16" MEGA concrete trench drain H14.2"-14.0"	14.2	360	14.0	355	630.8
52	04801/355-350	16" MEGA concrete trench drain H14.0"-13.8"	14.0	355	13.8	350	627.4
53	04801/350-345	16" MEGA concrete trench drain H13.8"-13.6"	13.8	350	13.6	345	624.0
54	04801/345-340	16" MEGA concrete trench drain H13.6"-13.4"	13.6	345	13.4	340	620.6
55	04801/340-335	16" MEGA concrete trench drain H13.4"-13.2"	13.4	340	13.2	335	617.2
56	04801/335-330	16" MEGA concrete trench drain H13.2"-13.0"	13.2	335	13.0	330	613.8

	Article	Name	Height, H		Height, h		Weight
			in	mm	in	mm	
1	04801/610-600	16" MEGA concrete trench drain H24.0"-23.6"	24.0	610	23.6	600	787.0
2	04801/600-590	16" MEGA concrete trench drain H23.6"-23.2"	23.6	600	23.2	590	781.0
3	04801/590-580	16" MEGA concrete trench drain H23.2"-22.8"	23.2	590	22.8	580	775.0
4	04801/580-570	16" MEGA concrete trench drain H22.8"-22.4"	22.8	580	22.4	570	768.9
5	04801/570-560	16" MEGA concrete trench drain H22.4"-22.0"	22.4	570	22.0	560	762.9
6	04801/560-550	16" MEGA concrete trench drain H22.0"-21.7"	22.0	560	21.7	550	756.9
7	04801/550-540	16" MEGA concrete trench drain H21.7"-21.3"	21.7	550	21.3	540	750.8
8	04801/540-530	16" MEGA concrete trench drain H21.3"-20.9"	21.3	540	20.9	530	744.8
9	04801/530-250	16" MEGA concrete trench drain H20.9"-20.5"	20.9	530	20.5	520	738.7
10	04801/520-510	16" MEGA concrete trench drain H20.5"-20.1"	20.5	520	20.1	510	732.6
11	04801/510-500	16" MEGA concrete trench drain H20.1"-19.7"	20.1	510	19.7	500	726.6
12	04801/500-490	16" MEGA concrete trench drain H19.7"-19.3"	19.7	500	19.3	490	720.4
13	04801/490-480	16" MEGA concrete trench drain H19.3"-18.9"	19.3	490	18.9	480	714.3
14	04801/480-470	16" MEGA concrete trench drain H18.9"-18.5"	18.9	480	18.5	470	708.2
15	04801/470-460	16" MEGA concrete trench drain H18.5"-18.1"	18.5	470	18.1	460	702.0
16	04801/460-450	16" MEGA concrete trench drain H18.1"-17.7"	18.1	460	17.7	450	695.8
17	04801/450-440	16" MEGA concrete trench drain H17.7"-17.3"	17.7	450	17.3	440	689.5
18	04801/440-430	16" MEGA concrete trench drain H17.3"-16.9"	17.3	440	16.9	430	683.2
19	04801/430-420	16" MEGA concrete trench drain H16.9"-16.5"	16.9	430	16.5	420	676.8
20	04801/420-410	16" MEGA concrete trench drain H16.5"-16.1"	16.5	420	16.1	410	670.4
21	04801/410-400	16" MEGA concrete trench drain H16.1"-15.7"	16.1	410	15.7	400	663.9
22	04801/400-390	16" MEGA concrete trench drain H15.7"-15.4"	15.7	400	15.4	390	657.4
23	04801/390-380	16" MEGA concrete trench drain H15.4"-15.0"	15.4	390	15.0	380	650.8
24	04801/380-370	16" MEGA concrete trench drain H15.0"-14.6"	15.0	380	14.6	370	644.2
25	04801/370-360	16" MEGA concrete trench drain H14.6"-14.2"	14.6	370	14.2	360	637.5
26	04801/360-350	16" MEGA concrete trench drain H14.2"-13.8"	14.2	360	13.8	350	630.8
27	04801/350-340	16" MEGA concrete trench drain H13.8"-13.4"	13.8	350	13.4	340	624.0
28	04801/340-330	16" MEGA concrete trench drain H13.4"-13.0"	13.4	340	13.0	330	617.2

MEGA 500FC system

20" MEGA concrete trench drain E600



! 20" Catch Basin can be used as a Inline catch basin for this channel.

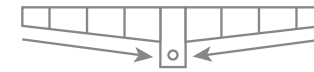
CASCADED SLOPE



! Channels can be produced with vertical outlet

	Article	Name	Height		Weight
			in	mm	
1	04900/610	20" MEGA concrete trench drain H24.0"	24.0	610	1028.5
2	04900/605	20" MEGA concrete trench drain H23.8"	23.8	605	1025.0
3	04900/600	20" MEGA concrete trench drain H23.6"	23.6	600	1021.5
4	04900/595	20" MEGA concrete trench drain H23.4"	23.4	595	1018.0
5	04900/590	20" MEGA concrete trench drain H23.2"	23.2	590	1014.5
6	04900/585	20" MEGA concrete trench drain H23.0"	23.0	585	1011.0
7	04900/580	20" MEGA concrete trench drain H22.8"	22.8	580	1007.5
8	04900/575	20" MEGA concrete trench drain H22.6"	22.6	575	1004.1
9	04900/570	20" MEGA concrete trench drain H22.4"	22.4	570	1000.5
10	04900/565	20" MEGA concrete trench drain H22.2"	22.2	565	997.1
11	04900/560	20" MEGA concrete trench drain H22.0"	22.0	560	993.6
12	04900/555	20" MEGA concrete trench drain H21.9"	21.9	555	990.1
13	04900/550	20" MEGA concrete trench drain H21.7"	21.7	550	986.6
14	04900/545	20" MEGA concrete trench drain H21.5"	21.5	545	983.1
15	04900/540	20" MEGA concrete trench drain H21.3"	21.3	540	979.6
16	04900/535	20" MEGA concrete trench drain H21.1"	21.1	535	976.1
17	04900/530	20" MEGA concrete trench drain H20.9"	20.9	530	972.6
18	04900/525	20" MEGA concrete trench drain H20.7"	20.7	525	969.1
19	04900/520	20" MEGA concrete trench drain H20.5"	20.5	520	965.6
20	04900/515	20" MEGA concrete trench drain H20.3"	20.3	515	962.1
21	04900/510	20" MEGA concrete trench drain H20.1"	20.1	510	958.6
22	04900/505	20" MEGA concrete trench drain H19.9"	19.9	505	955.1
23	04900/500	20" MEGA concrete trench drain H19.7"	19.7	500	951.6
24	04900/495	20" MEGA concrete trench drain H19.5"	19.5	495	948.1
25	04900/490	20" MEGA concrete trench drain H19.3"	19.3	490	944.6
26	04900/485	20" MEGA concrete trench drain H19.1"	19.1	485	941.1
27	04900/480	20" MEGA concrete trench drain H18.9"	18.9	480	937.6
28	04900/475	20" MEGA concrete trench drain H18.7"	18.7	475	934.1
29	04900/470	20" MEGA concrete trench drain H18.5"	18.5	470	930.6
30	04900/465	20" MEGA concrete trench drain H18.3"	18.3	465	927.1
31	04900/460	20" MEGA concrete trench drain H18.1"	18.1	460	923.6

0.5% PRESLOPED



! Channels can be produced with vertical outlet

1% PRESLOPED

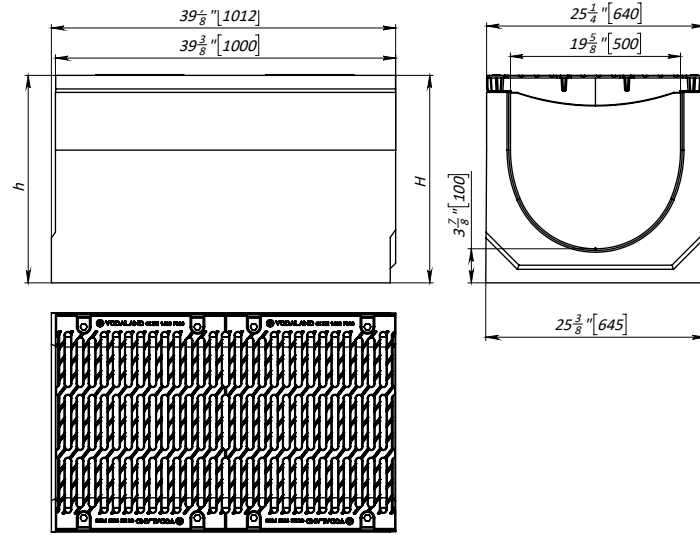


! Channels can be produced with vertical outlet

	Article	Name	Height, H		Height, h		Weight
			in	mm	in	mm	
1	04900/610-605	20" MEGA concrete trench drain H24.0"-23.8"	24.0	610	23.8	605	1026.7
2	04900/605-600	20" MEGA concrete trench drain H23.8"-23.6"	23.8	605	23.6	600	1023.2
3	04900/600-595	20" MEGA concrete trench drain H23.6"-23.4"	23.6	600	23.4	595	1019.6
4	04900/595-590	20" MEGA concrete trench drain H23.4"-23.2"	23.4	595	23.2	590	1016.1
5	04900/590-585	20" MEGA concrete trench drain H23.2"-23.0"	23.2	590	23.0	585	1012.8
6	04900/585-580	20" MEGA concrete trench drain H23.0"-22.8"	23.0	585	22.8	580	1009.3
7	04900/580-575	20" MEGA concrete trench drain H22.8"-22.6"	22.8	580	22.6	575	1005.7
8	04900/575-570	20" MEGA concrete trench drain H22.6"-22.4"	22.6	575	22.4	570	1002.2
9	04900/570-565	20" MEGA concrete trench drain H22.4"-22.2"	22.4	570	22.2	565	998.7
10	04900/565-560	20" MEGA concrete trench drain H22.2"-22.0"	22.2	565	22.0	560	995.2
11	04900/560-555	20" MEGA concrete trench drain H22.0"-21.9"	22.0	560	21.9	555	991.6
12	04900/555-550	20" MEGA concrete trench drain H21.9"-21.7"	21.9	555	21.7	550	988.1
13	04900/550-545	20" MEGA concrete trench drain H21.7"-21.5"	21.7	550	21.5	545	984.8
14	04900/545-540	20" MEGA concrete trench drain H21.5"-21.3"	21.5	545	21.3	540	981.3
15	04900/540-535	20" MEGA concrete trench drain H21.3"-21.1"	21.3	540	21.1	535	977.7
16	04900/535-530	20" MEGA concrete trench drain H21.1"-20.9"	21.1	535	20.9	530	974.2
17	04900/530-525	20" MEGA concrete trench drain H20.9"-20.7"	20.9	530	20.7	525	970.7
18	04900/525-520	20" MEGA concrete trench drain H20.7"-20.5"	20.7	525	20.5	520	967.2
19	04900/520-515	20" MEGA concrete trench drain H20.5"-20.3"	20.5	520	20.3	515	963.6
20	04900/515-510	20" MEGA concrete trench drain H20.3"-20.1"	20.3	515	20.1	510	960.3
21	04900/510-505	20" MEGA concrete trench drain H20.1"-19.9"	20.1	510	19.9	505	956.8
22	04900/505-500	20" MEGA concrete trench drain H19.9"-19.7"	19.9	505	19.7	500	953.3
23	04900/500-495	20" MEGA concrete trench drain H19.7"-19.5"	19.7	500	19.5	495	949.8
24	04900/495-490	20" MEGA concrete trench drain H19.5"-19.3"	19.5	495	19.3	490	946.2
25	04900/490-485	20" MEGA concrete trench drain H19.3"-19.1"	19.3	490	19.1	485	942.7
26	04900/485-480	20" MEGA concrete trench drain H19.1"-18.9"	19.1	485	18.9	480	939.2
27	04900/480-475	20" MEGA concrete trench drain H18.9"-18.7"	18.9	480	18.7	475	935.6
28	04900/475-470	20" MEGA concrete trench drain H18.7"-18.5"	18.7	475	18.5	470	932.3
29	04900/470-465	20" MEGA concrete trench drain H18.5"-18.3"	18.5	470	18.3	465	928.8
30	04900/465-460	20" MEGA concrete trench drain H18.3"-18.1"	18.3	465	18.1	460	925.3

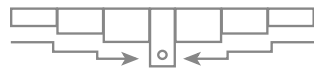
	Article	Name	Height, H		Height, h		Weight
			in	mm	in	mm	
1	04900/610-600	20" MEGA concrete trench drain H24.0"-23.6"	24.0	610	23.6	600	1026.7
2	04900/600-590	20" MEGA concrete trench drain H23.6"-23.2"	23.6	600	23.2	590	1019.6
3	04900/590-580	20" MEGA concrete trench drain H23.2"-22.8"	23.2	590	22.8	580	1012.8
4	04900/580-570	20" MEGA concrete trench drain H22.8"-22.4"	22.8	580	22.4	570	1005.7
5	04900/570-560	20" MEGA concrete trench drain H22.4"-22.0"	22.4	570	22.0	560	998.7
6	04900/560-550	20" MEGA concrete trench drain H22.0"-21.7"	22.0	560	21.7	550	991.6
7	04900/550-540	20" MEGA concrete trench drain H21.7"-21.3"	21.7	550	21.3	540	984.8
8	04900/540-530	20" MEGA concrete trench drain H21.3"-20.9"	21.3	540	20.9	530	977.7
9	04900/530-250	20" MEGA concrete trench drain H20.9"-20.5"	20.9	530	20.5	520	970.7
10	04900/520-510	20" MEGA concrete trench drain H20.5"-20.1"	20.5	520	20.1	510	963.6
11	04900/510-500	20" MEGA concrete trench drain H20.1"-19.7"	20.1	510	19.7	500	956.8
12	04900/500-490	20" MEGA concrete trench drain H19.7"-19.3"	19.7	500	19.3	490	949.8
13	04900/490-480	20" MEGA concrete trench drain H19.3"-18.9"	19.3	490	18.9	480	942.7
14	04900/480-470	20" MEGA concrete trench drain H18.9"-18.5"	18.9	480	18.5	470	935.6
15	04900/470-460	20" MEGA concrete trench drain H18.5"-18.1"	18.5	470	18.1	460	928.8

20" MEGA concrete trench drain F900



! 20" Catch Basin can be used as a Inline catch basin for this channels.

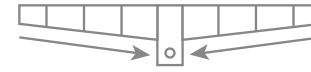
CASCADED SLOPE



! Channels can be produced with vertical outlet

	Article	Name	Height		Weight
			in	mm	
1	04901/610	20" MEGA concrete trench drain H24.0"	24.0	610	1069.3
2	04901/605	20" MEGA concrete trench drain H23.8"	23.8	605	1065.8
3	04901/600	20" MEGA concrete trench drain H23.6"	23.6	600	1062.3
4	04901/595	20" MEGA concrete trench drain H23.4"	23.4	595	1058.8
5	04901/590	20" MEGA concrete trench drain H23.2"	23.2	590	1055.3
6	04901/585	20" MEGA concrete trench drain H23.0"	23.0	585	1051.8
7	04901/580	20" MEGA concrete trench drain H22.8"	22.8	580	1048.3
8	04901/575	20" MEGA concrete trench drain H22.6"	22.6	575	1044.8
9	04901/570	20" MEGA concrete trench drain H22.4"	22.4	570	1041.3
10	04901/565	20" MEGA concrete trench drain H22.2"	22.2	565	1037.8
11	04901/560	20" MEGA concrete trench drain H22.0"	22.0	560	1034.3
12	04901/555	20" MEGA concrete trench drain H21.9"	21.9	555	1030.8
13	04901/550	20" MEGA concrete trench drain H21.7"	21.7	550	1027.3
14	04901/545	20" MEGA concrete trench drain H21.5"	21.5	545	1023.8
15	04901/540	20" MEGA concrete trench drain H21.3"	21.3	540	1020.3
16	04901/535	20" MEGA concrete trench drain H21.1"	21.1	535	1016.8
17	04901/530	20" MEGA concrete trench drain H20.9"	20.9	530	1013.3
18	04901/525	20" MEGA concrete trench drain H20.7"	20.7	525	1009.8
19	04901/520	20" MEGA concrete trench drain H20.5"	20.5	520	1006.3
20	04901/515	20" MEGA concrete trench drain H20.3"	20.3	515	1002.8
21	04901/510	20" MEGA concrete trench drain H20.1"	20.1	510	738.3
22	04901/505	20" MEGA concrete trench drain H19.9"	19.9	505	734.8
23	04901/500	20" MEGA concrete trench drain H19.7"	19.7	500	731.3
24	04901/495	20" MEGA concrete trench drain H19.5"	19.5	495	727.8
25	04901/490	20" MEGA concrete trench drain H19.3"	19.3	490	724.3
26	04901/485	20" MEGA concrete trench drain H19.1"	19.1	485	720.8
27	04901/480	20" MEGA concrete trench drain H18.9"	18.9	480	717.3
28	04901/475	20" MEGA concrete trench drain H18.7"	18.7	475	713.8
29	04901/470	20" MEGA concrete trench drain H18.5"	18.5	470	710.3
30	04901/465	20" MEGA concrete trench drain H18.3"	18.3	465	706.8
31	04901/460	20" MEGA concrete trench drain H18.1"	18.1	460	703.3

0.5% PRESLOPED



! Channels can be produced with vertical outlet

1% PRESLOPED



! Channels can be produced with vertical outlet

	Article	Name	Height, H		Height, h		Weight
			in	mm	in	mm	
1	04901/610-605	20" MEGA concrete trench drain H24.0"-23.8"	24.0	610	23.8	605	1069.3
2	04901/605-600	20" MEGA concrete trench drain H23.8"-23.6"	23.8	605	23.6	600	1065.8
3	04901/600-595	20" MEGA concrete trench drain H23.6"-23.4"	23.6	600	23.4	595	1062.3
4	04901/595-590	20" MEGA concrete trench drain H23.4"-23.2"	23.4	595	23.2	590	1058.8
5	04901/590-585	20" MEGA concrete trench drain H23.2"-23.0"	23.2	590	23.0	585	1055.3
6	04901/585-580	20" MEGA concrete trench drain H23.0"-22.8"	23.0	585	22.8	580	1051.8
7	04901/580-575	20" MEGA concrete trench drain H22.8"-22.6"	22.8	580	22.6	575	1048.3
8	04901/575-570	20" MEGA concrete trench drain H22.6"-22.4"	22.6	575	22.4	570	1044.8
9	04901/570-565	20" MEGA concrete trench drain H22.4"-22.2"	22.4	570	22.2	565	1041.3
10	04901/565-560	20" MEGA concrete trench drain H22.2"-22.0"	22.2	565	22.0	560	1037.8
11	04901/560-555	20" MEGA concrete trench drain H22.0"-21.9"	22.0	560	21.9	555	1034.3
12	04901/555-550	20" MEGA concrete trench drain H21.9"-21.7"	21.9	555	21.7	550	1030.8
13	04901/550-545	20" MEGA concrete trench drain H21.7"-21.5"	21.7	550	21.5	545	1027.3
14	04901/545-540	20" MEGA concrete trench drain H21.5"-21.3"	21.5	545	21.3	540	1023.8
15	04901/540-535	20" MEGA concrete trench drain H21.3"-21.1"	21.3	540	21.1	535	1020.3
16	04901/535-530	20" MEGA concrete trench drain H21.1"-20.9"	21.1	535	20.9	530	1016.8
17	04901/530-252	20" MEGA concrete trench drain H20.9"-20.7"	20.9	530	20.7	525	1013.3
18	04901/525-520	20" MEGA concrete trench drain H20.7"-20.5"	20.7	525	20.5	520	1009.8
19	04901/520-515	20" MEGA concrete trench drain H20.5"-20.3"	20.5	520	20.3	515	1006.3
20	04901/515-510	20" MEGA concrete trench drain H20.3"-20.1"	20.3	515	20.1	510	1002.8
21	04901/510-505	20" MEGA concrete trench drain H20.1"-19.9"	20.1	510	19.9	505	999.3
22	04901/505-500	20" MEGA concrete trench drain H19.9"-19.7"	19.9	505	19.7	500	995.8
23	04901/500-495	20" MEGA concrete trench drain H19.7"-19.5"	19.7	500	19.5	495	992.3
24	04901/495-490	20" MEGA concrete trench drain H19.5"-19.3"	19.5	495	19.3	490	988.8
25	04901/490-485	20" MEGA concrete trench drain H19.3"-19.1"	19.3	490	19.1	485	985.3
26	04901/485-480	20" MEGA concrete trench drain H19.1"-18.9"	19.1	485	18.9	480	981.8
27	04901/480-475	20" MEGA concrete trench drain H18.9"-18.7"	18.9	480	18.7	475	978.3
28	04901/475-470	20" MEGA concrete trench drain H18.7"-18.5"	18.7	475	18.5	470	974.8
29	04901/470-465	20" MEGA concrete trench drain H18.5"-18.3"	18.5	470	18.3	465	971.3
30	04901/465-460	20" MEGA concrete trench drain H18.3"-18.1"	18.3	465	18.1	460	967.9

	Article	Name	Height, H		Height, h		Weight
			in	mm	in	mm	
1	04901/610-600	20" MEGA concrete trench drain H24.0"-23.6"	24.0	610	23.6	600	1069.3
2	04901/600-590	20" MEGA concrete trench drain H23.6"-23.2"	23.6	600	23.2	590	1062.3
3	04901/590-580	20" MEGA concrete trench drain H23.2"-22.8"	23.2	590	22.8	580	1055.3
4	04901/580-570	20" MEGA concrete trench drain H22.8"-22.4"	22.8	580	22.4	570	1048.3
5	04901/570-560	20" MEGA concrete trench drain H22.4"-22.0"	22.4	570	22.0	560	1041.3
6	04901/560-550	20" MEGA concrete trench drain H22.0"-21.7"	22.0	560	21.7	550	1034.3
7	04901/550-540	20" MEGA concrete trench drain H21.7"-21.3"	21.7	550	21.3	540	1027.3
8	04901/540-530	20" MEGA concrete trench drain H21.3"-20.9"	21.3	540	20.9	530	1020.3
9	04901/530-250	20" MEGA concrete trench drain H20.9"-20.5"	20.9	530	20.5	520	1013.3
10	04901/520-510	20" MEGA concrete trench drain H20.5"-20.1"	20.5	520	20.1	510	1006.3
11	04901/510-500	20" MEGA concrete trench drain H20.1"-19.7"	20.1	510	19.7	500	999.3
12	04901/500-490	20" MEGA concrete trench drain H19.7"-19.3"	19.7	500	19.3	490	992.3
13	04901/490-480	20" MEGA concrete trench drain H19.3"-18.9"	19.3	490	18.9	480	985.3
14	04901/480-470	20" MEGA concrete trench drain H18.9"-18.5"	18.9	480	18.5	470	978.3
15	04901/470-460	20" MEGA concrete trench drain H18.5"-18.1"	18.5	470	18.1	460	971.3

DRAIN



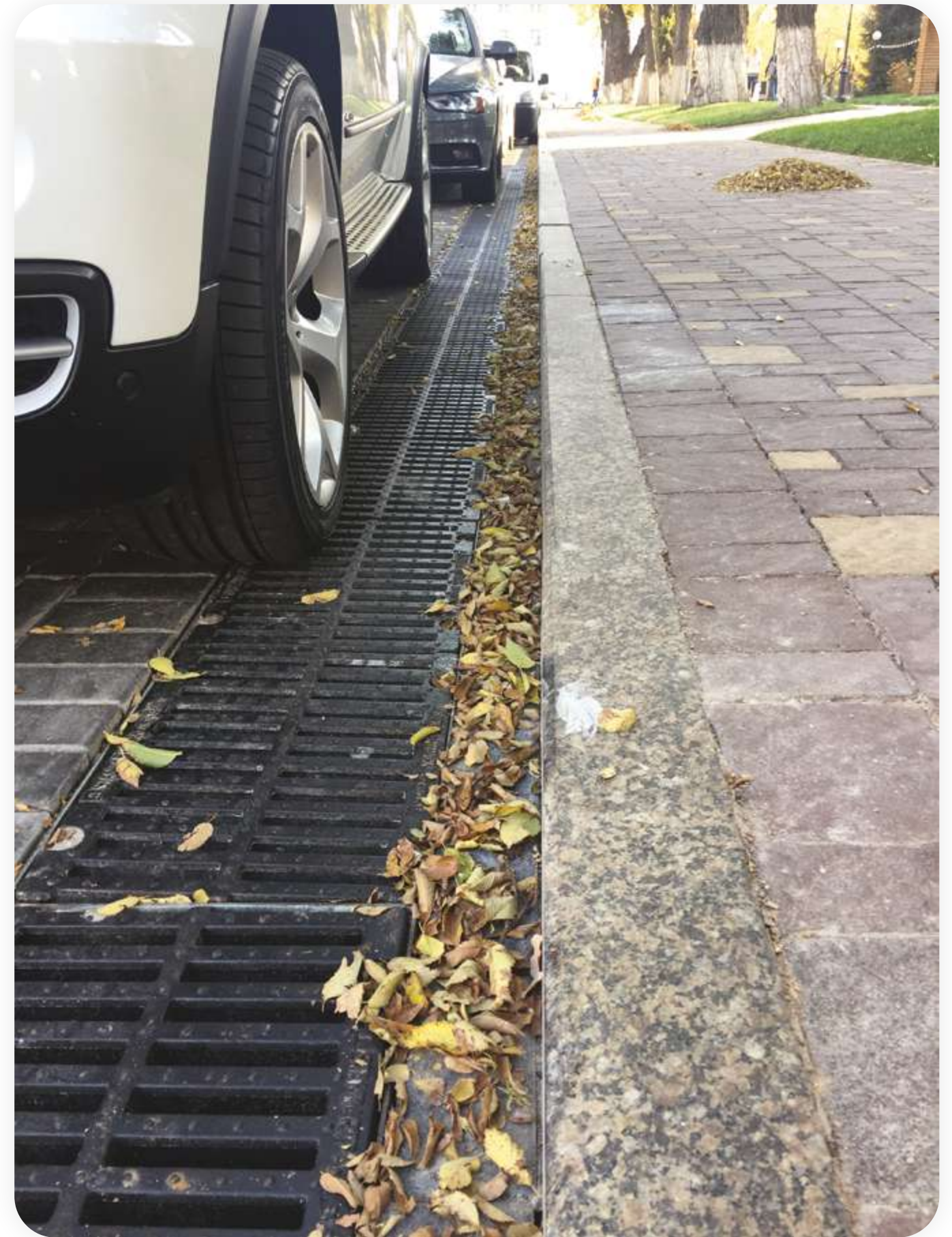
20" End Cap

Article	End Cap Name	For Channel Height, in
1 6791/610	20" MEGA concrete end cap H24.0"	24.0
2 6791/605	20" MEGA concrete end cap H23.8"	23.8
3 6791/600	20" MEGA concrete end cap H23.6"	23.6
4 6791/595	20" MEGA concrete end cap H23.4"	23.4
5 6791/590	20" MEGA concrete end cap H23.2"	23.2
6 6791/585	20" MEGA concrete end cap H23.0"	23.0
7 6791/580	20" MEGA concrete end cap H22.8"	22.8
8 6791/575	20" MEGA concrete end cap H22.6"	22.6
9 6791/570	20" MEGA concrete end cap H22.4"	22.4
10 6791/565	20" MEGA concrete end cap H22.2"	22.2
11 6791/560	20" MEGA concrete end cap H22.0"	22.0
12 6791/555	20" MEGA concrete end cap H21.9"	21.9
13 6791/550	20" MEGA concrete end cap H21.7"	21.7
14 6791/545	20" MEGA concrete end cap H21.5"	21.5
15 6791/540	20" MEGA concrete end cap H21.3"	21.3
16 6791/535	20" MEGA concrete end cap H21.1"	21.1



End Caps can be produced with horizontal outlet

Article	End Cap Name	For Channel Height, in
17 6791/530	20" MEGA concrete end cap H20.9"	20.9
18 6791/525	20" MEGA concrete end cap H20.7"	20.7
19 6791/520	20" MEGA concrete end cap H20.5"	20.5
20 6791/515	20" MEGA concrete end cap H20.3"	20.3
21 6791/510	20" MEGA concrete end cap H20.1"	20.1
22 6791/505	20" MEGA concrete end cap H19.9"	19.9
23 6791/500	20" MEGA concrete end cap H19.7"	19.7
24 6791/495	20" MEGA concrete end cap H19.5"	19.5
25 6791/490	20" MEGA concrete end cap H19.3"	19.3
26 6791/485	20" MEGA concrete end cap H19.1"	19.1
27 6791/480	20" MEGA concrete end cap H18.9"	18.9
28 6791/475	20" MEGA concrete end cap H18.7"	18.7
29 6791/470	20" MEGA concrete end cap H18.5"	18.5
30 6791/465	20" MEGA concrete end cap H18.3"	18.3
31 6791/460	20" MEGA concrete end cap H18.1"	18.1



DRAIN

Point Drainage

MEGA



12" Fiber concrete catch basin (MEGA 300-CBFC) E600, F900



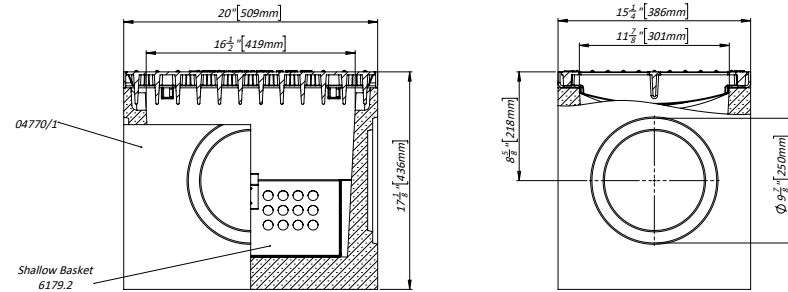
E 600
art. 04770-K



F 900
art. 04771-K



E 600
art. 04777458-K



An example of using standard basket



An example of using shallow basket



Catch Basin with opened grate

Shallow Basket
art. 6179.2



Shallow Basket can be used in case of side connection of drain channel with internal depth of less than 8"

Standard Basket
art. 6179



Article	Name	Load class	Length		Width		Height		Weight lbs
			in	mm	in	mm	in	mm	
04770-K	12" MEGA concrete catch basin w/ basket	E600	20.0	509	15.4	390	17.3	440	247.6
04771-K	12" MEGA concrete catch basin w/ basket	F900	20.0	509	15.4	390	17.3	440	257.9
04777458-K	12" MEGA concrete catch basin w/ basket (open grate)	E600	20.0	509	15.4	390	17.3	440	238.1



E 600
art. 04770/1-K

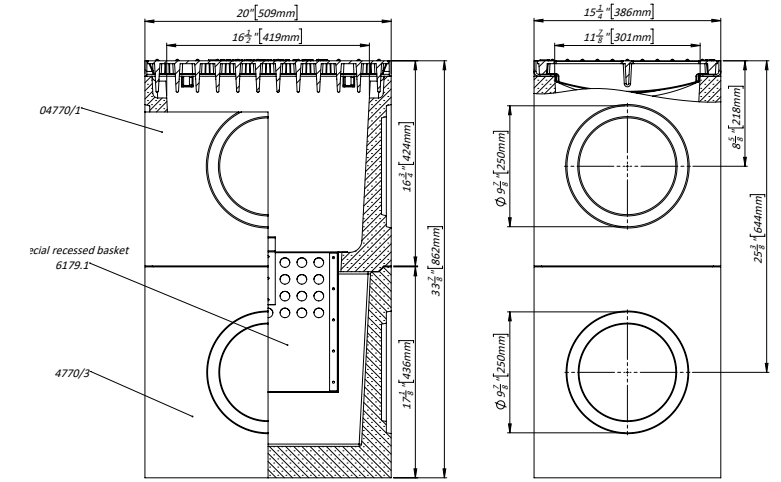


F 900
art. 04771/1-K



E 600
art. 04777458/1-K

art. 04770/3



An example of using recessed basket

Standard Basket
art. 6179



Recessed Basket
art. 6179.1

Recessed Basket can be used in case of side connection of drain channel



Article	Name	Load class	Length		Width		Height		Weight lbs
			in	mm	in	mm	in	mm	
04770/1-K	12" MEGA concrete catch basin w/ basket (top)	E600	20.0	509	15.4	390	17.3	440	209.4
04771/1-K	12" MEGA concrete catch basin w/ basket (top)	F900	20.0	509	15.4	390	17.3	440	221.6
4770/3	12" MEGA concrete catch basin (bottom)	-	20.0	509	15.4	390	17.3	440	213.8
04777458/1-K	12" MEGA concrete catch basin w/ basket (open grate)	E600	20.0	509	15.4	390	17.3	440	221.6

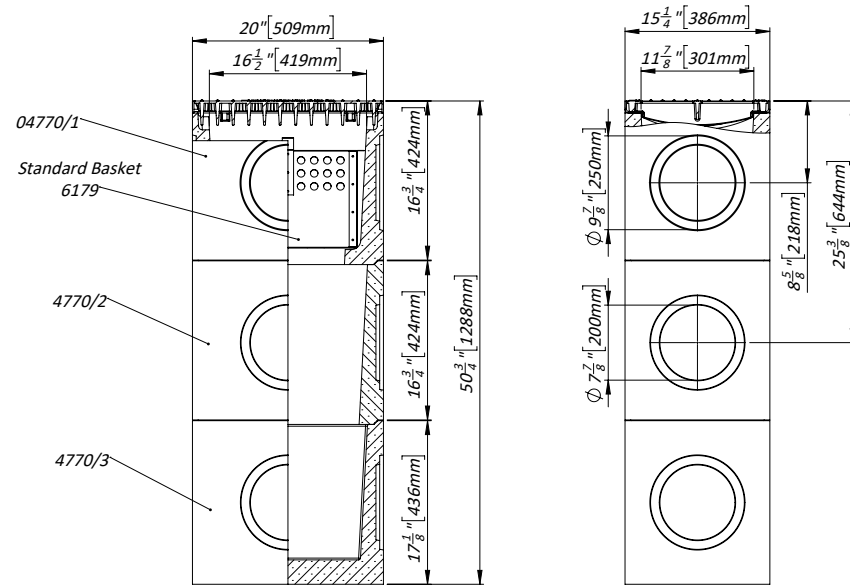


E 600

art. 04770/1-K

art. 04770/2

art. 04770/3



F 900

art. 04771/1-K

art. 04770/2

art. 04770/3



An example of using standard basket

Standard Basket
art. 6179



Recessed Basket
art. 6179.1

Recessed Basket can be used in case of side connection of drain channel



Article	Name	Load class	Length		Width		Height		Weight
			in	mm	in	mm	in	mm	
04770/1-K	12" MEGA concrete catch basin w/ basket (top)	E600	20.0	509	15.4	390	17.3	440	209.4
04771/1-K	12" MEGA concrete catch basin w/ basket (top)	F900	20.0	509	15.4	390	17.3	440	221.6
4770/2	12" MEGA concrete catch basin (middle)	-	20.0	509	15.4	390	17.3	440	163.1
4770/3	12" MEGA concrete catch basin (bottom)	-	20.0	509	15.4	390	17.3	440	213.8

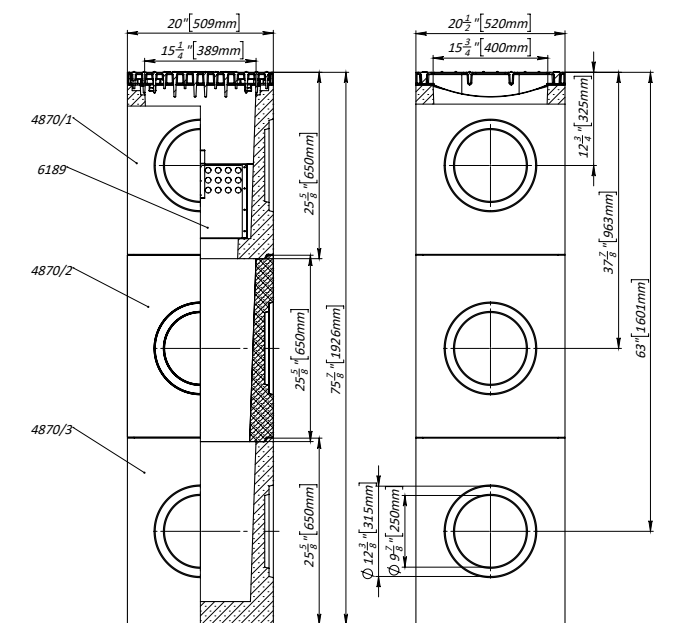
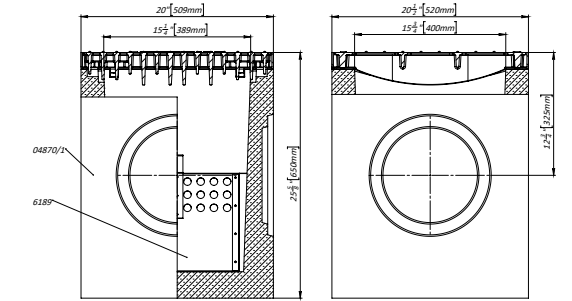
16" MEGA concrete catch basin (MEGA 400-CBFC) E600, F900



E 600



F 900

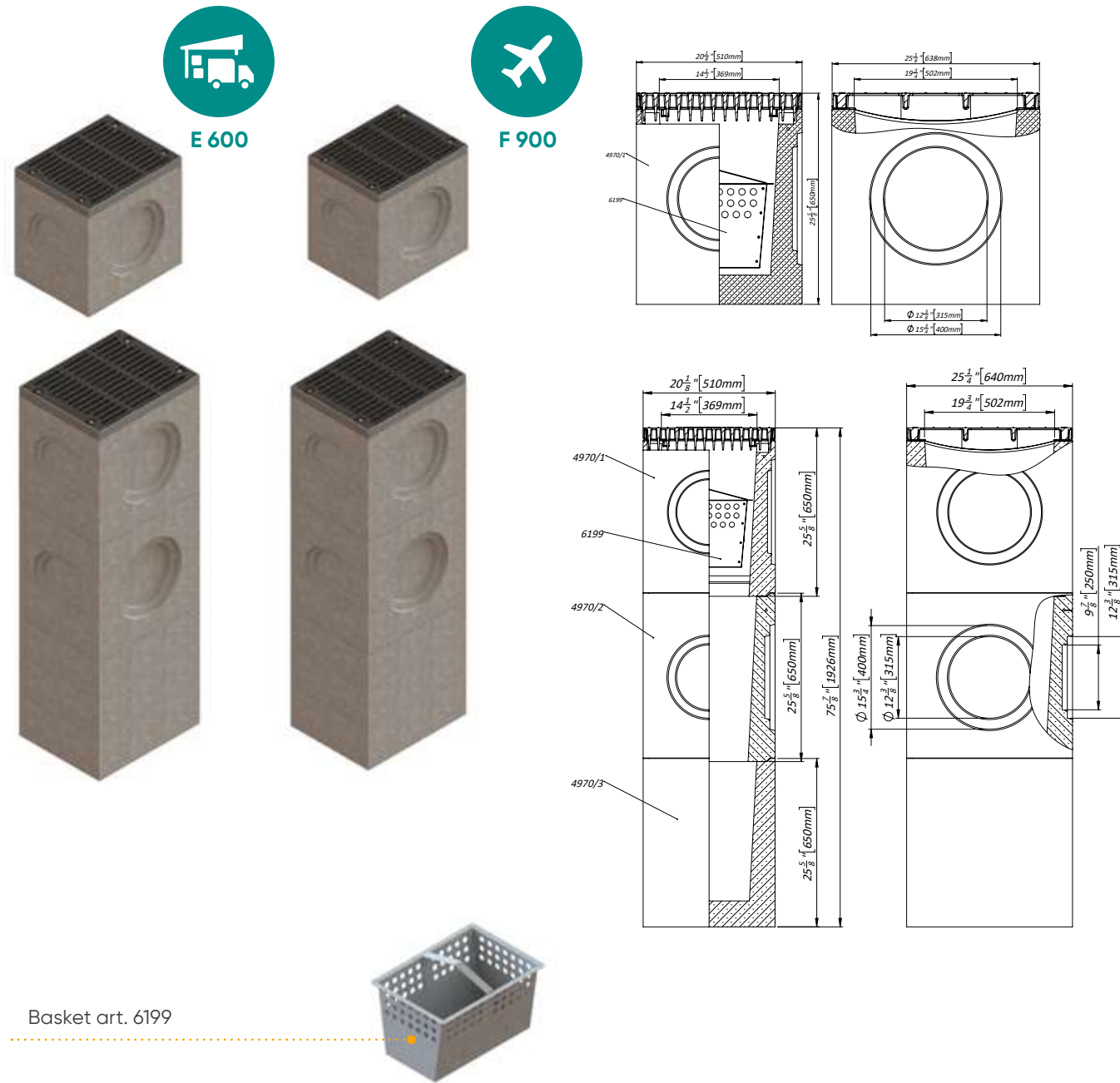


Basket art. 6189



Article	Name	Load class	Length		Width		Height		Weight
			in	mm	in	mm	in	mm	
04870	16" MEGA concrete catch basin w/ basket	E600	20.5	520	20.0	509	25.6	650	480.2
04870/1	16" MEGA concrete catch basin w/ basket (top)	E600	20.5	520	20.0	509	25.6	650	440.9
4871	16" MEGA concrete catch basin w/ basket	F900	20.5	520	20.0	509	25.6	650	490.2
04871/1	16" MEGA concrete catch basin w/ basket (top)	F900	20.5	520	20.0	509	25.6	650	450.9
4870/2	16" MEGA concrete catch basin (middle)	-	20.5	520	20.0	509	25.6	650	384.7
4870/3	16" MEGA concrete catch basin (bottom)	-	20.5	520	20.0	509	25.6	650	440.9

20" MEGA concrete catch basin (MEGA 500-CBFC) E600, F900



Basket art. 6199

Article	Name	Load class	Length		Width		Height		Weight lbs
			in	mm	in	mm	in	mm	
4970	20" MEGA concrete catch basin w/ basket	E600	20.0	509	25.2	640	25.6	650	628.3
04971	20" MEGA concrete catch basin w/ basket	F900	20.0	509	25.2	640	25.6	650	665.8
04970/1	20" MEGA concrete catch basin w/ basket (top)	E600	20.0	509	25.2	640	25.6	650	557.7
04971/1	20" MEGA concrete catch basin w/ basket (top)	F900	20.0	509	25.2	640	25.6	650	569.9
4970/2	20" MEGA concrete catch basin (middle)	-	20.0	509	25.2	640	25.6	650	489.6
4970/3	20" MEGA concrete catch basin (bottom)	-	20.0	509	25.2	640	25.6	650	578.3





Vodaland Canada Inc.
5900 Ambler Drive, Unit 1 & 2, Mississauga, ON L4W 2N3
+1 (905) 238 1771

VODALAND.CA

