
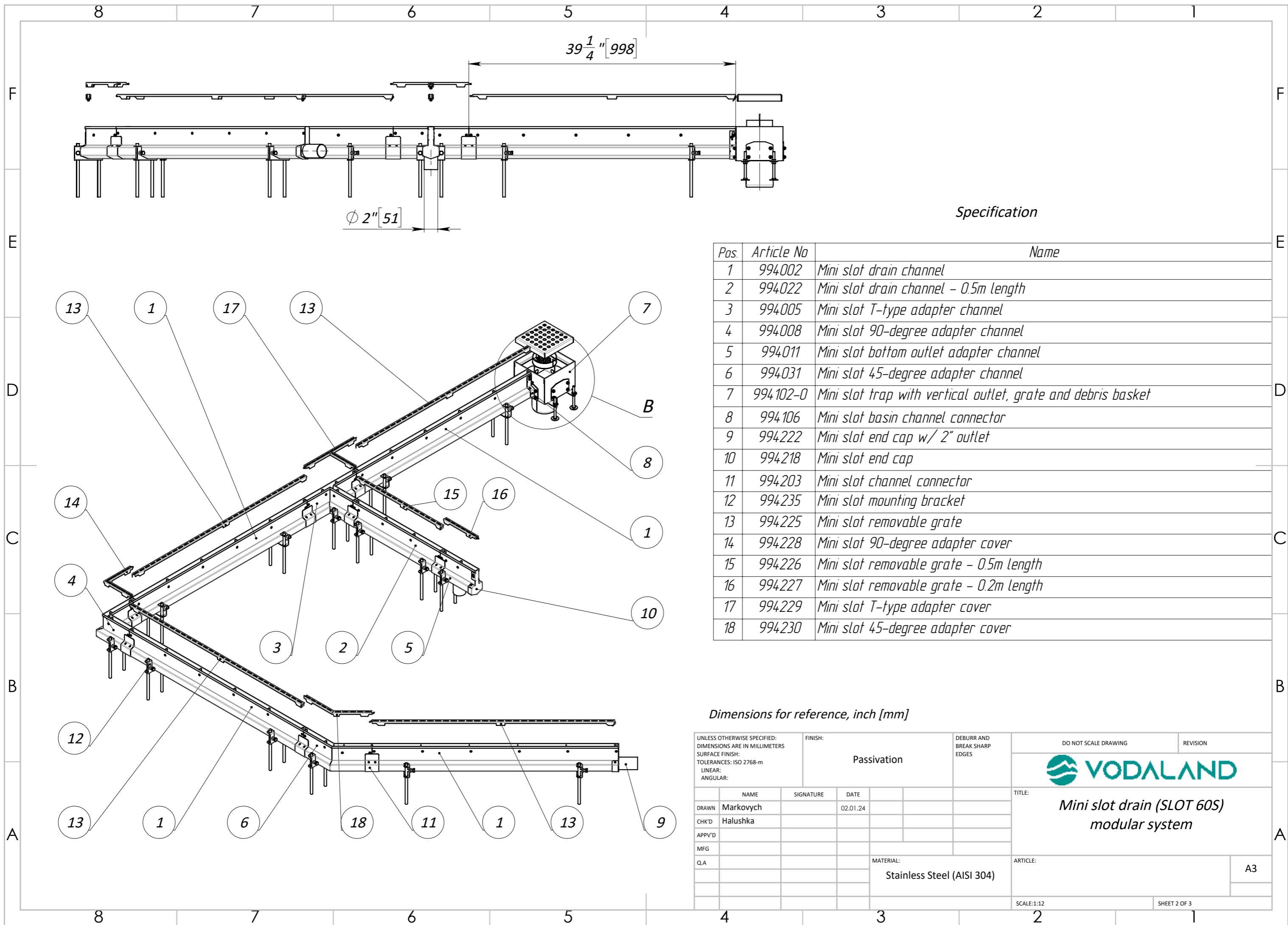


UNLESS OTHERWISE SPECIFIED: DIMENSIONS ARE IN MILLIMETERS SURFACE FINISH: TOLERANCES: ISO 2768-m LINEAR: ANGULAR:		FINISH: <b>Passivation</b>	DEBURR AND BREAK SHARP EDGES	DO NOT SCALE DRAWING	REVISION
DRAWN: Markovych			DATE: 02.01.24	 <b>Mini slot drain channel</b>	
CHK'D: Halushka					
APPV'D:					
MFG:					
Q.A:					
MATERIAL: <b>Stainless Steel (AISI 304)</b>			ARTICLE: <b>994002</b>	A3	
WEIGHT: 8,6 lb /3.93kg			SCALE:1:5	SHEET 1 OF 3	



**Specification**

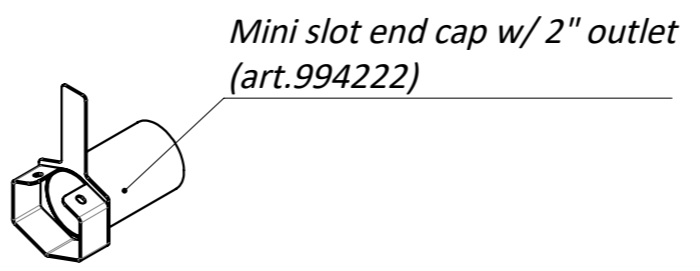
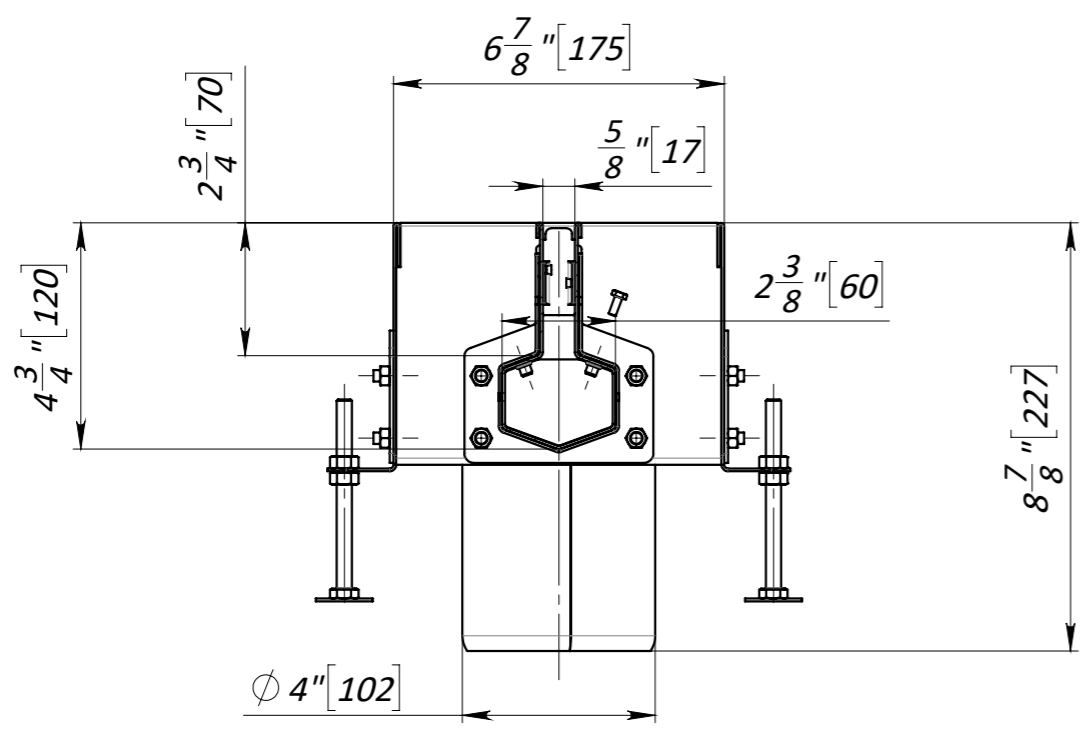
Pos.	Article No	Name
1	994002	Mini slot drain channel
2	994022	Mini slot drain channel - 0.5m length
3	994005	Mini slot T-type adapter channel
4	994008	Mini slot 90-degree adapter channel
5	994011	Mini slot bottom outlet adapter channel
6	994031	Mini slot 45-degree adapter channel
7	994102-0	Mini slot trap with vertical outlet, grate and debris basket
8	994106	Mini slot basin channel connector
9	994222	Mini slot end cap w/ 2" outlet
10	994218	Mini slot end cap
11	994203	Mini slot channel connector
12	994235	Mini slot mounting bracket
13	994225	Mini slot removable grate
14	994228	Mini slot 90-degree adapter cover
15	994226	Mini slot removable grate - 0.5m length
16	994227	Mini slot removable grate - 0.2m length
17	994229	Mini slot T-type adapter cover
18	994230	Mini slot 45-degree adapter cover

**Dimensions for reference, inch [mm]**

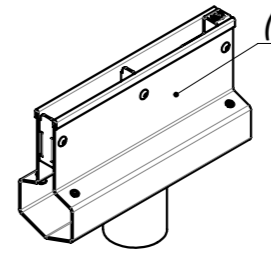
UNLESS OTHERWISE SPECIFIED: DIMENSIONS ARE IN MILLIMETERS SURFACE FINISH: TOLERANCES: ISO 2768-m LINEAR: ANGULAR:		FINISH:  Passivation	DEBURR AND BREAK SHARP EDGES	DO NOT SCALE DRAWING	REVISION
				TITLE: <b>Mini slot drain (SLOT 60S) modular system</b>	
DRAWN	Markovych	SIGNATURE	DATE	02.01.24	
CHK'D	Halushka				
APPV'D					
MFG					
Q.A					
				MATERIAL: Stainless Steel (AISI 304)	ARTICLE: A3
				SCALE:1:12	SHEET 2 OF 3

8 7 6 5 4 3 2 1

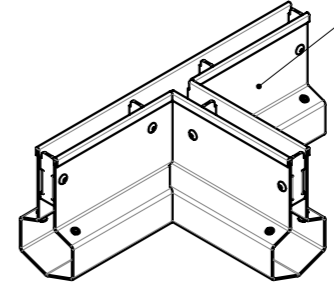
F  
E  
D  
C  
B  
A



Mini slot bottom outlet adapter channel (art.994011)

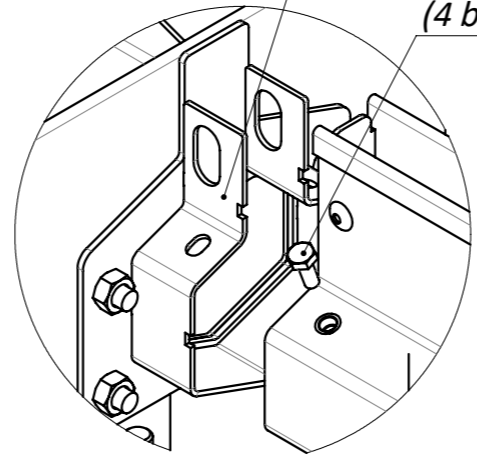


Mini slot T-type adapter channel (art.994005)

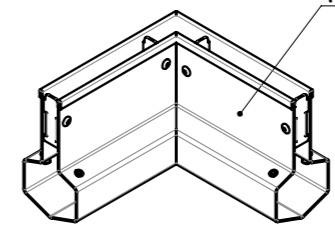


Mini slot basin channel connector (art.994106).  
1 adapter for 1 connected channel.

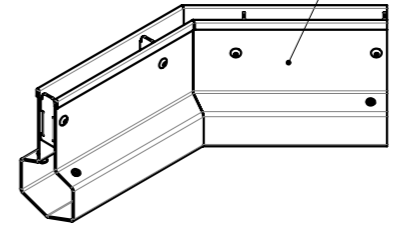
Stainless Bolt M4x10  
(4 bolts per pack)



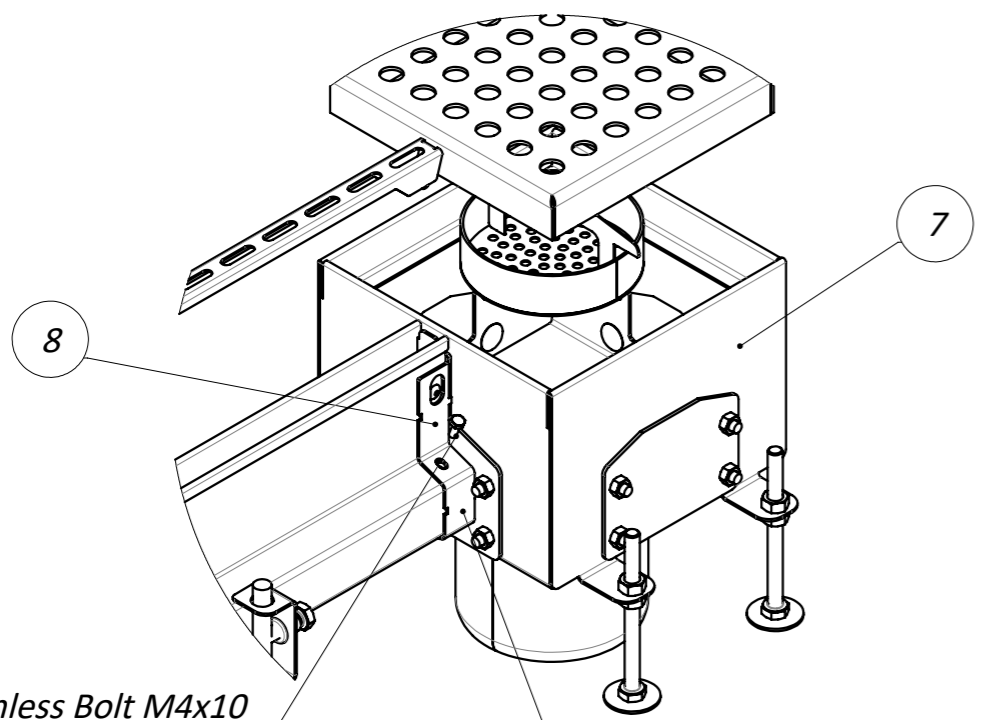
Mini slot 90-degree adapter channel (art.994008)



Mini slot 45-degree adapter channel (art.994031)




B (1 : 4)



Stainless Bolt M4x10  
(4 bolts per pack)

Mini slot basin channel connector (art.No 994106)  
Use from channel connected side

UNLESS OTHERWISE SPECIFIED: DIMENSIONS ARE IN MILLIMETERS SURFACE FINISH: TOLERANCES: ISO 2768-m LINEAR: ANGULAR:		FINISH: <b>Passivation</b>		DEBURR AND BREAK SHARP EDGES		DO NOT SCALE DRAWING		REVISION	
DRAWN Markovych		SIGNATURE		DATE 02.01.24		 <b>Mini slot drain (SLOT 60S) modular system</b>			
CHK'D Halushka									
APPV'D									
MFG									
Q.A									
				MATERIAL: Stainless Steel (AISI 304)		ARTICLE:		A3	
						SCALE:1:12		SHEET 3 OF 3	

8 7 6 5 4 3 2 1