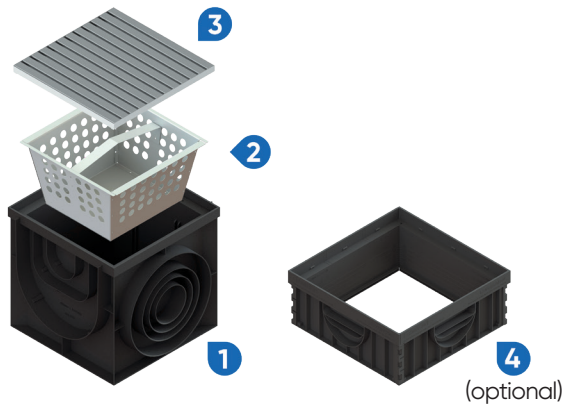


Catch Basin Installation Guide



scan for video



Component Identification:

Item	Description
1	Catch Basin
2	Debris Basket
3	Grate
4	Riser (optional)

Installation:

Site Preparation

When preparing the location for where you'd like your catch basin to be installed, there are several steps you must first do:

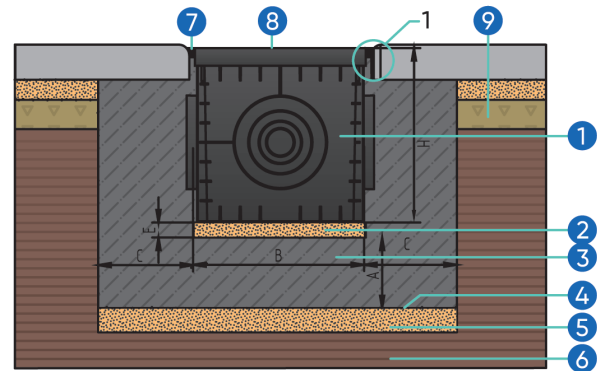
- 1 You must make sure that your hole for the catch basin has a good 3-6 inches of clearance measured out for your base and for your piping connection. This includes underneath of the catch basin as well. Load class A requires 3.2 inches, load class B requires 4 inches, and load class C requires 6 inches.
- 2 You must take into account all connections to the catch basin (both outlet and channel connections) and the trench/spacing that those respective items require.
- 3 Test that all these connections fit properly to the catch basin and don't require any sort of adapter.

Setting your Basin

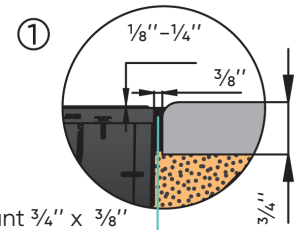
Whether you are doing a soft set (sand or dirt) or a concrete installation, you need to have a good base for your catch basin. We always suggest using concrete as a base as it allows for a nice solid foundation for your catch basin.

- 1 Make sure you have a good 3-6 inches base measured out for your base and connection to line up.
- 2 Pour concrete and let set (or sand/dirt if you are not having any heavy traffic over your catch basin).

- 3 After concrete is 75% cured, place your basin in the middle and align your pipe connection to the basin.
- 4 Allow concrete to 100% cure and prep the connections for the pour around the sides.



1. Plastic Catch Basin
2. Base Course $h = \frac{3}{4}'' - 1\frac{1}{4}''$
3. Concrete encasement
4. Vapour seal foil
5. Bedding layer $h = 4''$
6. Soil
7. Expansion/crack control joint
8. Grating
9. Pavement design



Piping Connections

Our basins, as all others, are designed to be connected to drainage tile piping. However, it can also work with all PVC connections and corrugated piping. If you are planning to use a PVC or corrugated connection, we recommend a Vodland PVC adapter or use rubber coupling as an appropriate connection piece.

Concrete Pour

Pouring is the simplest process of the installation no matter if you are doing sand/dirt or concrete. All it requires is that you pour the encasing material around the sides until it fills up to the appropriate level. Here are a couple of important steps to make sure it goes smoothly:

- 1 If you are doing a concrete pour, we recommend leaving the grate in the system. Concrete expands when it's drying. If you do this without the grate, you may have an issue putting the grate back in after it's done.
- 2 Make sure your connections or outlets are tight. We recommend testing the water proofing and durability of the connections.
- 3 Level the top off nicely when you are pouring.
- 4 Again, take your time with everything. Do not rush, and always call us with any questions. We are here to help!

FAQ's

How does the stacking system work?

Vodaland basins can be stacked on top of one another to be used together. This is most often required when extra depth is needed for piping, if you'd like the channel connections to filter through the debris basket, or if the volume of water collected exceeds the size of the basin. The top basin will require its floor to be removed. You can make the floor hole custom to your preferred shape and size, or completely remove it all together. The basins will stack on-top of one another naturally, but it will be a tight connection and require some force. It's recommended to use Vodaland silicone sealant between the basins to prevent leaks.

How do I use the basin riser?

For those that require additional height or have the ability to connect basin channels, the basin riser is a useful accessory. The riser can be placed on top to add more volume to the unit. If placed on top, the grate will fit into the riser, the same as it would into the basin itself. Your riser may come included with channel connection knockout options, which will allow our trench drain channels to direct fluid into the basin basket for filtering. If the riser does not include the U-shaped knockout, it can still be used for channel connection, but the channel shape must be cut into the side of the riser for a snug fit.



Vodaland fully stands behind each and every one of our products. We always urge our customers to email or call us with any questions. If you ever have any issues or poor reviews – we would like to hear them – please send us an email at info@vodaland.ca

Thank you again for your business!

Please note: All the specifications, drawings, and installation schemes can be found and downloaded on our website. Go to the product page and you'll find tabs for all these options at the bottom of the page. Installation videos can also be found on **YouTube** at: **Vodaland Canada**.

Contact us:

+1 (905) 238-1771

info@vodaland.ca

www.vodaland.ca

YouTube: Vodaland Canada

