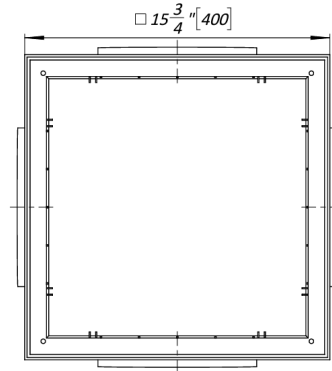
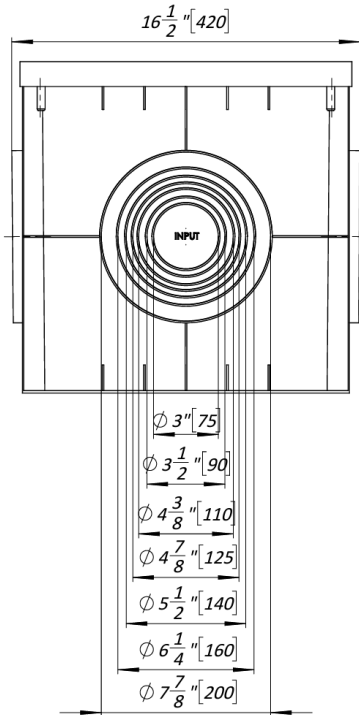


BASE 400-CBP CATCH BASIN - LOAD CLASS A15

16" (400mm) BASE PLASTIC CATCH BASIN



General: The catch basin shall be Vodaland Canada BASE 400-CBP as manufactured by Vodaland or approved equal.

Catch basin: BASE 400-CBP catch basin shall be 16.0" (420mm) deep and 15.7" (400mm) wide. Catch basins shall be manufactured from UV stabilized 100% recycled polypropylene. Units shall have four outlet sizes on each side. Catch basins shall be equipped with a specified grate to withstand a required EN1433 load class and debris basket made of galvanized steel.

Name	Article	H, in	H, mm	W, in	W, mm	Load Class
16x16 Plastic catch basin	8470-CH	15.4	391	15.9	403	C250
15x15 Plastic Grate	3480	1.0	33	15.4	389	A15
15x15 Plastic Cover	3489	1.0	33	16	389	A15
15x15 Galvanized Steel Grate (mesh)	3420	1.0	26	15.4	391	-
15x15 Stainless Steel Grate (slotted)	345018	0.9	24	15.4	390	-
15x15 Ductile Cast Iron grate (mesh)	34403	2.6	66	15.4	390	C250
16x16 Steel Basket	6189	7.3	186	13.0	330	-

Outlet sizes:

1. Ø75mm
2. Ø90mm
3. Ø110mm
4. Ø125mm
5. Ø140mm
6. Ø160mm
7. Ø200mm