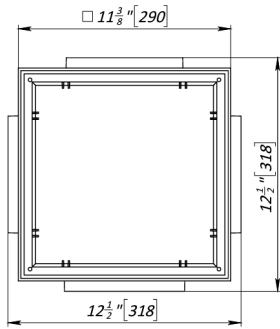
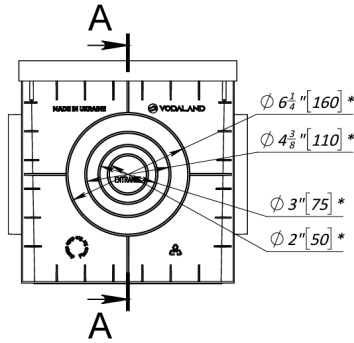
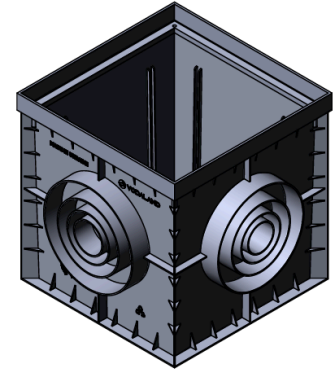
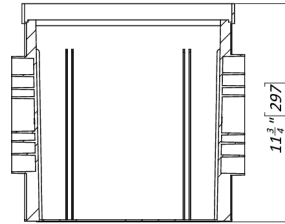


BASE 300-CBP CATCH BASIN - LOAD CLASS A15

12" (300mm) BASE PLASTIC CATCH BASIN



A-A



General: The catch basin shall be Vodaland Canada BASE 300-CBP as manufactured by Vodaland or approved equal.

Catch basin: BASE 300-CBP catch basin shall be 11.6" (300mm) deep and 11.3" (290mm) wide. Catch basins shall be manufactured from UV stabilized 100% recycled polypropylene. Units shall have four outlet sizes on each side. Catch basins shall be equipped with a specified grate to withstand a required EN1433 load class and debris basket.

Name	Article	H, in	H, mm	W, in	W, mm	Load Class
12x12 Plastic catch basin	8370	11.7	297	11.4	290	C250
12x12 Plastic catch basin extension	8370-E	4.7	120	11.4	290	-
11x11 Plastic Cover (black)	3389	1.2	20	11.0	280	-
11x11 Plastic Cover (gray)	3389-GY	1.2	20	11.0	280	-
11x11 Plastic Grate (black)	3380	1.2	20	11.0	280	A15
11x11 Plastic Grate (gray)	3380-GY	1.2	20	11.0	280	A15
11x11 Galvanized Steel grate (mesh)	3320	1.0	26	11.0	280	-
11x11 Stainless steel (Slotted)	335018	0.8	21	11.0	280	-
11x11 Ductile cast iron grate (slotted)	3334	0.9	22	10.9	278	A15
11x11 Ductile cast iron grate (slotted)	3330	1.0	26	11.0	280	A15
11x11 Downspout Guard	8370.9DSG	8	200	11.1	282	-

Outlet sizes:

1. Ø50mm
2. Ø75mm
3. Ø110mm
4. Ø160mm