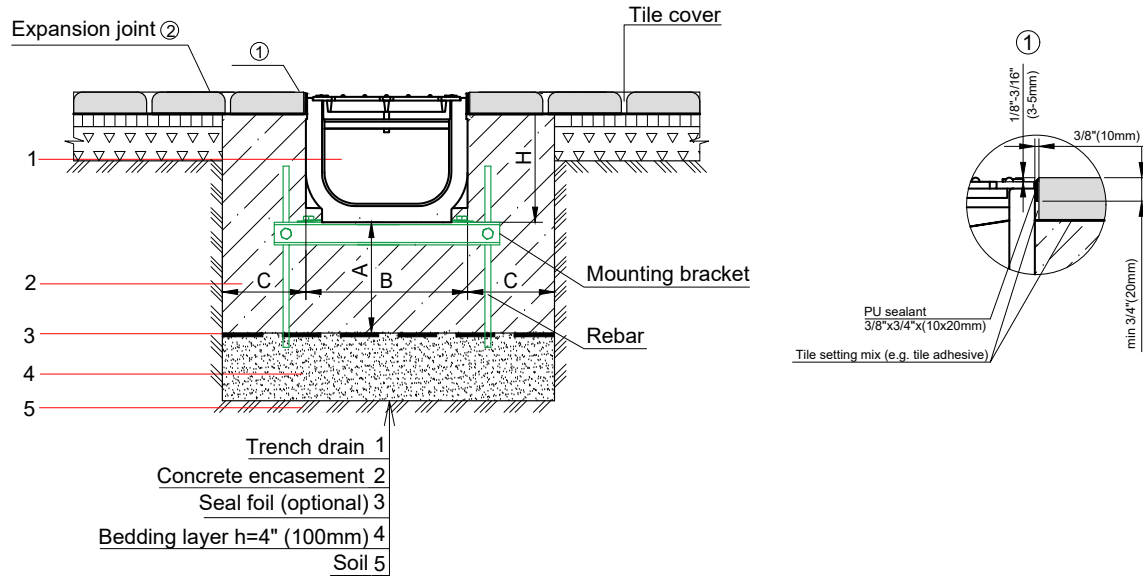


BASE 200P SYSTEM - LOAD CLASS A15-C250
ENCLOSED PAVER PAVEMENT INSTALLATION
8" (200mm) BASE PLASTIC TRENCH DRAIN


PARAMETER	LOAD CLASS		
	CLASS A	CLASS B	CLASS C
CONCRETE ENCASEMENT DEPTH (A), in	4" (100mm)	4" (100mm)	6" (150mm)
CONCRETE ENCASEMENT WIDTH (B), in	4" (100mm)	4" (100mm)	6" (150mm)

NOTES:

- SPECIFIER IS RESPONSIBLE FOR CONCRETE ENCASEMENT AND REINFORCING BASED UPON APPLICATION AND LOCAL CODES.
- EXPANSION AND CONTRACTION CONTROL JOINTS AND REINFORCEMENT ARE RECOMMENDED TO PROTECT CHANNEL AND CONCRETE SURROUND. ENGINEERING ADVICE MAY BE REQUIRED.
- THIS INSTALLATION SCHEME IS A RECOMMENDATION. CONSULT WITH THE MANUFACTURER FOR INSTALLATION INSTRUCTIONS.
- THE FINISHED LEVEL OF CONCRETE SURROUND SHOULD BE 1/8" - 3/16" (3-5mm) ABOVE THE TOP OF THE CHANNEL EDGE.
- USE CASCADE INSTALLATION METHOD IF SLOPE IS REQUIRED (REFER TO RESOURCES ON THE WEBSITE).

GENERAL: THE TRENCH DRAIN SHALL BE VODALAND CANADA BASE 200P AS MANUFACTURED BY VODALAND OR APPROVED EQUAL.

SPECIFICATION: BASE 200P TRENCH DRAIN SHALL BE 39.4" (1000mm) LONG AND THE NOMINAL CLEAR OPENING SHALL BE 8" (200mm) WITH 10.2" (260mm) OVERALL WIDTH. CHANNELS SHALL BE MANUFACTURED FROM UV STABILIZED 100% RECYCLED POLYPROPYLENE. UNITS SHALL HAVE MALE-TO-FEMALE INTERLOCKING JOINTS THAT WILL NOT SEPARATE DURING THE INSTALLATION. CHANNELS SHALL HAVE A RADIUS SELF CLEANING BOTTOM WITH A MANNING'S COEFFICIENT OF 0.009 AND NEUTRAL 0% BUILT IN SLOPE. GRATINGS SHALL MEET THE SYSTEM LOAD CLASS SPECIFIED. CHANNELS AND GRATE SHALL WITHSTAND A REQUIRED EN1433 LOAD CLASS.

THE COMPLETE DRAINAGE SYSTEM SHALL BE BY VODALAND CANADA INC. ANY DEVIATION OR PARTIAL SYSTEM DESIGN AND/OR IMPROPER INSTALLATION WILL VOID ANY AND ALL WARRANTIES PROVIDED BY VODALAND CANADA INC.

REVISED: 2023

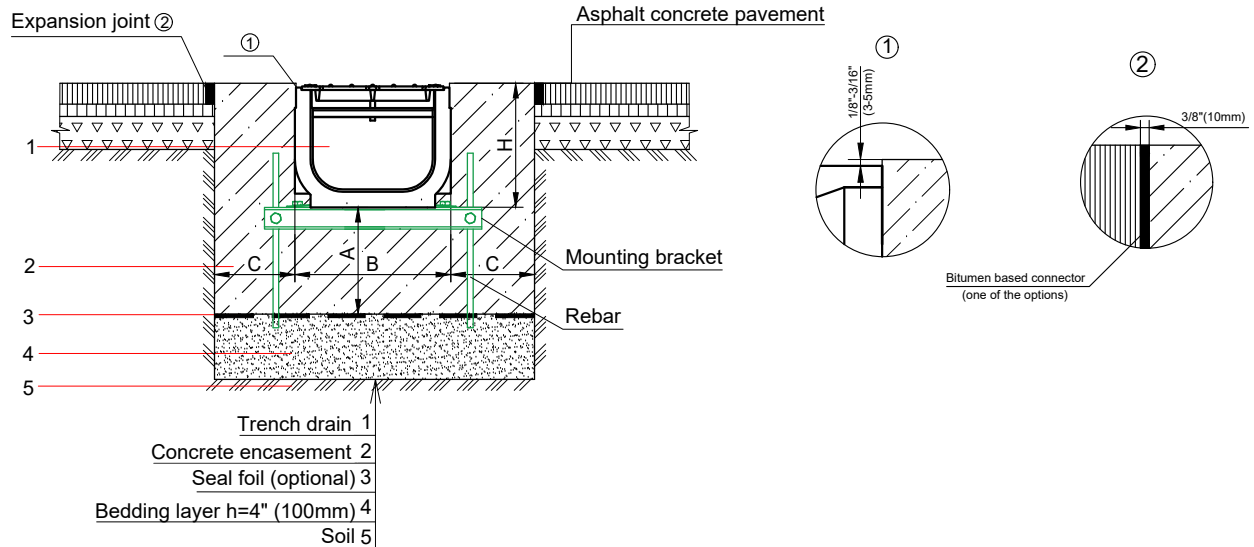
BASE 200P SYSTEM - LOAD CLASS A15-C250
ENCLOSED PAVER PAVEMENT INSTALLATION**8" (200mm) BASE PLASTIC TRENCH DRAIN****CHECK AND SPECIFY APPROPRIATE OPTIONS:****GRATE OPTIONS:**

<input type="checkbox"/> 25101	GALVANIZED STEEL GRATE SLOTTED	A15
<input type="checkbox"/> 25901	STAINLESS STEEL GRATE SLOTTED	A15
<input type="checkbox"/> 252018	GALVANIZED STEEL GRATE ADA	A15
<input type="checkbox"/> 255018	STAINLESS STEEL GRATE ADA	A15
<input type="checkbox"/> 25303	DUCTILE CAST IRON GRATE SLOTTED	C250
<input type="checkbox"/> 25403	DUCTILE CAST IRON GRATE MESH	C250
<input type="checkbox"/> 25403-ADA	DUCTILE CAST IRON GRATE ADA	C250

ADDITIONAL OPTIONS:

- 8" END CAP
- 8" END CAP W/ OUTLET
- 8" MOUNTING BRACKETS

BASE 200P SYSTEM - LOAD CLASS A15-C250
 EXPOSED ASPHALT PAVEMENT INSTALLATION

8" (200mm) BASE PLASTIC TRENCH DRAIN


PARAMETER	LOAD CLASS		
	CLASS A	CLASS B	CLASS C
CONCRETE ENCASEMENT DEPTH (A), in	4" (100mm)	4" (100mm)	6" (150mm)
CONCRETE ENCASEMENT WIDTH (B), in	4" (100mm)	4" (100mm)	6" (150mm)

NOTES:

- SPECIFIER IS RESPONSIBLE FOR CONCRETE ENCASEMENT AND REINFORCING BASED UPON APPLICATION AND LOCAL CODES.
- EXPANSION AND CONTRACTION CONTROL JOINTS AND REINFORCEMENT ARE RECOMMENDED TO PROTECT CHANNEL AND CONCRETE SURROUND. ENGINEERING ADVICE MAY BE REQUIRED.
- THIS INSTALLATION SCHEME IS A RECOMMENDATION. CONSULT WITH THE MANUFACTURER FOR INSTALLATION INSTRUCTIONS.
- THE FINISHED LEVEL OF CONCRETE SURROUND SHOULD BE 1/8" - 3/16" (3-5mm) ABOVE THE TOP OF THE CHANNEL EDGE.
- USE CASCADE INSTALLATION METHOD IF SLOPE IS REQUIRED (REFER TO RESOURCES ON THE WEBSITE).

GENERAL: THE TRENCH DRAIN SHALL BE VODALAND CANADA BASE 200P AS MANUFACTURED BY VODALAND OR APPROVED EQUAL.

SPECIFICATION: BASE 200P TRENCH DRAIN SHALL BE 39.4" (1000mm) LONG AND THE NOMINAL CLEAR OPENING SHALL BE 8" (200mm) WITH 10.2" (260mm) OVERALL WIDTH. CHANNELS SHALL BE MANUFACTURED FROM UV STABILIZED 100% RECYCLED POLYPROPYLENE. UNITS SHALL HAVE MALE-TO-FEMALE INTERLOCKING JOINTS THAT WILL NOT SEPARATE DURING THE INSTALLATION. CHANNELS SHALL HAVE A RADIUS SELF CLEANING BOTTOM WITH A MANNING'S COEFFICIENT OF 0.009 AND NEUTRAL 0% BUILT IN SLOPE. GRATINGS SHALL MEET THE SYSTEM LOAD CLASS SPECIFIED. CHANNELS AND GRATE SHALL WITHSTAND A REQUIRED EN1433 LOAD CLASS.

THE COMPLETE DRAINAGE SYSTEM SHALL BE BY VODALAND CANADA INC. ANY DEVIATION OR PARTIAL SYSTEM DESIGN AND/OR IMPROPER INSTALLATION WILL VOID ANY AND ALL WARRANTIES PROVIDED BY VODALAND CANADA INC.

REVISED: 2023

BASE 200P SYSTEM - LOAD CLASS A15-C250

EXPOSED ASPHALT PAVEMENT INSTALLATION

8" (200mm) BASE PLASTIC TRENCH DRAIN**CHECK AND SPECIFY APPROPRIATE OPTIONS:****GRATE OPTIONS:**

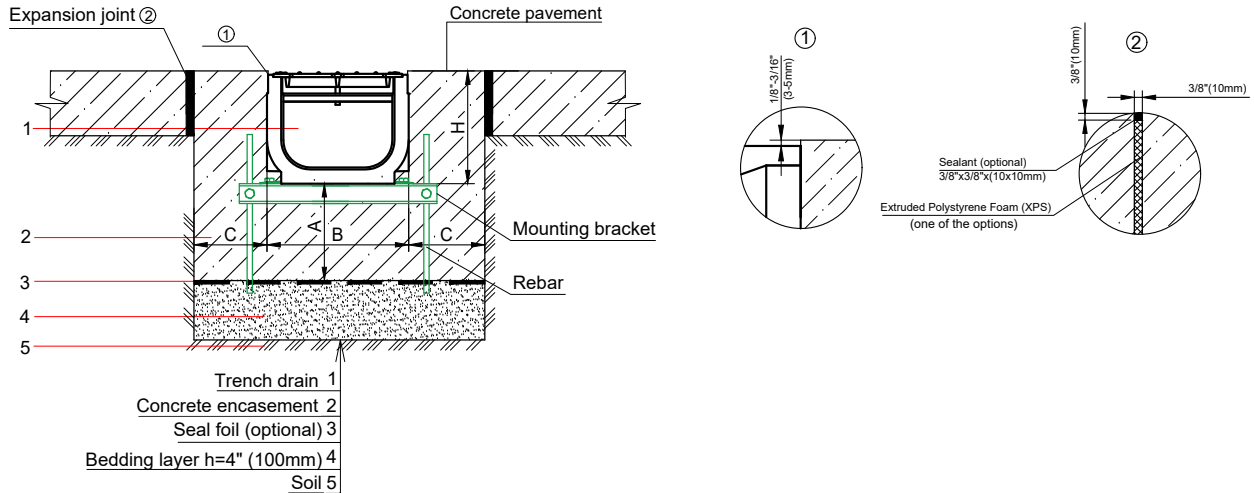
<input type="checkbox"/> 25101	GALVANIZED STEEL GRATE SLOTTED	A15
<input type="checkbox"/> 25901	STAINLESS STEEL GRATE SLOTTED	A15
<input type="checkbox"/> 252018	GALVANIZED STEEL GRATE ADA	A15
<input type="checkbox"/> 255018	STAINLESS STEEL GRATE ADA	A15
<input type="checkbox"/> 25303	DUCTILE CAST IRON GRATE SLOTTED	C250
<input type="checkbox"/> 25403	DUCTILE CAST IRON GRATE MESH	C250
<input type="checkbox"/> 25403-ADA	DUCTILE CAST IRON GRATE ADA	C250

ADDITIONAL OPTIONS:

- 8" END CAP
- 8" END CAP W/ OUTLET
- 8" MOUNTING BRACKETS

BASE 200P SYSTEM - LOAD CLASS A15-C250 EXPOSED CONCRETE PAVEMENT INSTALLATION

8" (200mm) BASE PLASTIC TRENCH DRAIN



PARAMETER	LOAD CLASS		
	CLASS A	CLASS B	CLASS C
CONCRETE ENCASEMENT DEPTH (A), in	4" (100mm)	4" (100mm)	6" (150mm)
CONCRETE ENCASEMENT WIDTH (B), in	4" (100mm)	4" (100mm)	6" (150mm)

NOTES:

- SPECIFIER IS RESPONSIBLE FOR CONCRETE ENCASEMENT AND REINFORCING BASED UPON APPLICATION AND LOCAL CODES.
- EXPANSION AND CONTRACTION CONTROL JOINTS AND REINFORCEMENT ARE RECOMMENDED TO PROTECT CHANNEL AND CONCRETE SURROUND. ENGINEERING ADVICE MAY BE REQUIRED.
- THIS INSTALLATION SCHEME IS A RECOMMENDATION. CONSULT WITH THE MANUFACTURER FOR INSTALLATION INSTRUCTIONS.
- THE FINISHED LEVEL OF CONCRETE SURROUND SHOULD BE 1/8" - 3/16" (3-5mm) ABOVE THE TOP OF THE CHANNEL EDGE.
- USE CASCADE INSTALLATION METHOD IF SLOPE IS REQUIRED (REFER TO RESOURCES ON THE WEBSITE).

GENERAL: THE TRENCH DRAIN SHALL BE VODALAND CANADA BASE 200P AS MANUFACTURED BY VODALAND OR APPROVED EQUAL.

SPECIFICATION: BASE 200P TRENCH DRAIN SHALL BE 39.4" (1000mm) LONG AND THE NOMINAL CLEAR OPENING SHALL BE 8" (200mm) WITH 10.2" (260mm) OVERALL WIDTH. CHANNELS SHALL BE MANUFACTURED FROM UV STABILIZED 100% RECYCLED POLYPROPYLENE. UNITS SHALL HAVE MALE-TO-FEMALE INTERLOCKING JOINTS THAT WILL NOT SEPARATE DURING THE INSTALLATION. CHANNELS SHALL HAVE A RADIUS SELF CLEANING BOTTOM WITH A MANNING'S COEFFICIENT OF 0.009 AND NEUTRAL 0% BUILT IN SLOPE. GRATINGS SHALL MEET THE SYSTEM LOAD CLASS SPECIFIED. CHANNELS AND GRATE SHALL WITHSTAND A REQUIRED EN1433 LOAD CLASS.

THE COMPLETE DRAINAGE SYSTEM SHALL BE BY VODALAND CANADA INC. ANY DEVIATION OR PARTIAL SYSTEM DESIGN AND/OR IMPROPER INSTALLATION WILL VOID ANY AND ALL WARRANTIES PROVIDED BY VODALAND CANADA INC.

REVISED: 2023

BASE 200P SYSTEM - LOAD CLASS A15-C250
EXPOSED CONCRETE PAVEMENT INSTALLATION**8" (200mm) BASE PLASTIC TRENCH DRAIN****CHECK AND SPECIFY APPROPRIATE OPTIONS:****GRATE OPTIONS:**

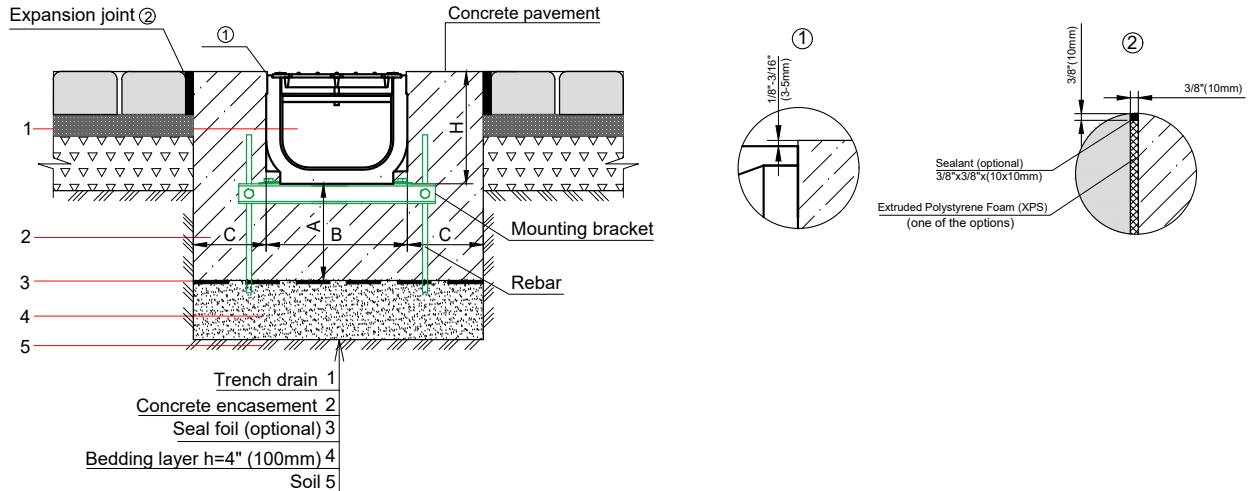
<input type="checkbox"/> 25101	GALVANIZED STEEL GRATE SLOTTED	A15
<input type="checkbox"/> 25901	STAINLESS STEEL GRATE SLOTTED	A15
<input type="checkbox"/> 252018	GALVANIZED STEEL GRATE ADA	A15
<input type="checkbox"/> 255018	STAINLESS STEEL GRATE ADA	A15
<input type="checkbox"/> 25303	DUCTILE CAST IRON GRATE SLOTTED	C250
<input type="checkbox"/> 25403	DUCTILE CAST IRON GRATE MESH	C250
<input type="checkbox"/> 25403-ADA	DUCTILE CAST IRON GRATE ADA	C250

ADDITIONAL OPTIONS:

- 8" END CAP
- 8" END CAP W/ OUTLET
- 8" MOUNTING BRACKETS

BASE 200P SYSTEM - LOAD CLASS A15-C250
EXPOSED PAVER PAVEMENT INSTALLATION

8" (200mm) BASE PLASTIC TRENCH DRAIN



PARAMETER	LOAD CLASS		
	CLASS A	CLASS B	CLASS C
CONCRETE ENCASEMENT DEPTH (A), in	4" (100mm)	4" (100mm)	6" (150mm)
CONCRETE ENCASEMENT WIDTH (B), in	4" (100mm)	4" (100mm)	6" (150mm)

NOTES:

1. SPECIFIER IS RESPONSIBLE FOR CONCRETE ENCASEMENT AND REINFORCING BASED UPON APPLICATION AND LOCAL CODES.
2. EXPANSION AND CONTRACTION CONTROL JOINTS AND REINFORCEMENT ARE RECOMMENDED TO PROTECT CHANNEL AND CONCRETE SURROUND. ENGINEERING ADVICE MAY BE REQUIRED.
3. THIS INSTALLATION SCHEME IS A RECOMMENDATION. CONSULT WITH THE MANUFACTURER FOR INSTALLATION INSTRUCTIONS.
4. THE FINISHED LEVEL OF CONCRETE SURROUND SHOULD BE 1/8" - 3/16" (3-5mm) ABOVE THE TOP OF THE CHANNEL EDGE.
5. USE CASCADE INSTALLATION METHOD IF SLOPE IS REQUIRED (REFER TO RESOURCES ON THE WEBSITE).

GENERAL: THE TRENCH DRAIN SHALL BE VODALAND CANADA BASE 200P AS MANUFACTURED BY VODALAND OR APPROVED EQUAL.

SPECIFICATION: BASE 200P TRENCH DRAIN SHALL BE 39.4" (1000mm) LONG AND THE NOMINAL CLEAR OPENING SHALL BE 8" (200mm) WITH 10.2" (260mm) OVERALL WIDTH. CHANNELS SHALL BE MANUFACTURED FROM UV STABILIZED 100% RECYCLED POLYPROPYLENE. UNITS SHALL HAVE MALE-TO-FEMALE INTERLOCKING JOINTS THAT WILL NOT SEPARATE DURING THE INSTALLATION. CHANNELS SHALL HAVE A RADIUS SELF CLEANING BOTTOM WITH A MANNING'S COEFFICIENT OF 0.009 AND NEUTRAL 0% BUILT IN SLOPE. GRATINGS SHALL MEET THE SYSTEM LOAD CLASS SPECIFIED. CHANNELS AND GRATE SHALL WITHSTAND A REQUIRED EN1433 LOAD CLASS.

THE COMPLETE DRAINAGE SYSTEM SHALL BE BY VODALAND CANADA INC. ANY DEVIATION OR PARTIAL SYSTEM DESIGN AND/OR IMPROPER INSTALLATION WILL VOID ANY AND ALL WARRANTIES PROVIDED BY VODALAND CANADA INC.

BASE 200P SYSTEM - LOAD CLASS A15-C250

EXPOSED PAVER PAVEMENT INSTALLATION

8" (200mm) BASE PLASTIC TRENCH DRAIN**CHECK AND SPECIFY APPROPRIATE OPTIONS:****GRATE OPTIONS:**

<input type="checkbox"/> 25101	GALVANIZED STEEL GRATE SLOTTED	A15
<input type="checkbox"/> 25901	STAINLESS STEEL GRATE SLOTTED	A15
<input type="checkbox"/> 252018	GALVANIZED STEEL GRATE ADA	A15
<input type="checkbox"/> 255018	STAINLESS STEEL GRATE ADA	A15
<input type="checkbox"/> 25303	DUCTILE CAST IRON GRATE SLOTTED	C250
<input type="checkbox"/> 25403	DUCTILE CAST IRON GRATE MESH	C250
<input type="checkbox"/> 25403-ADA	DUCTILE CAST IRON GRATE ADA	C250

ADDITIONAL OPTIONS:

- 8" END CAP
- 8" END CAP W/ OUTLET
- 8" MOUNTING BRACKETS