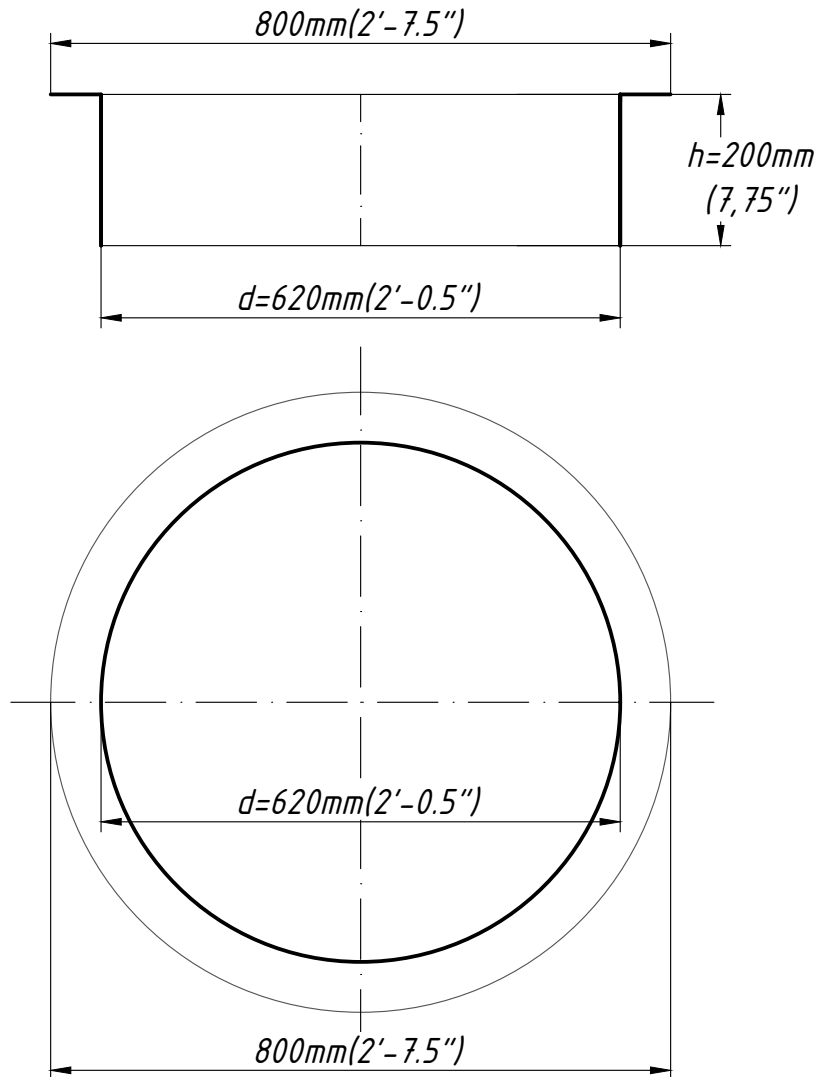


# TECHNICAL PASSPORT

*Adaptor plate  $\phi 620\text{mm}$  (2'-0.5"), fiberglass (S 1:15)*



*Technical characteristics*

№	d (mm)	d (ft,inch)	h (mm)	h (ft,inch)	Note
1	620	2'-0,5"	200	7,75"	
2					
3					

**Note:**

*The manufacturer has the right to make constructive and pattern changes that do not worsen the characteristics of the product as a whole. All sizes are in mm, unless otherwise specified.*

*Engineering tolerance of deviation from base dimension is 1-3%.*

*Additional Information:*

---



---



---