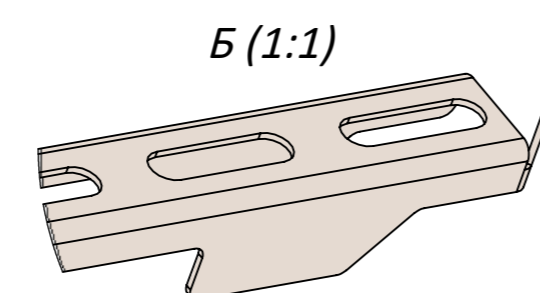
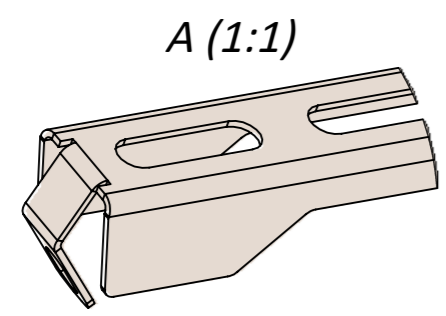



1. Dimensions for reference, inch [mm]
2. Delivery and packaging are carried out in accordance with the terms of the contract
3. The manufacturer reserves the right, without notice to the consumer, to make changes to the design of the products for improvement of their technological and operational parameters, which will not affect the quality and properties of the product.



UNLESS OTHERWISE SPECIFIED: DIMENSIONS ARE IN MILLIMETERS		FINISH:		DEBURR AND BREAK SHARP EDGES		DO NOT SCALE DRAWING		REVISION	
SURFACE FINISH:								<b>Stainless Steel Inside grate for Mini Slot</b>	
TOLERANCES: ISO 2768-m									
LINEAR:						TITLE:			
ANGULAR:						ARTICLE:		A3	
				MATERIAL:		994225			
				Stainless Steel (AISI 304)		SCALE:1:2.5		SHEET 1 OF 1	
				WEIGHT: 0.46 lb /0.2kg					