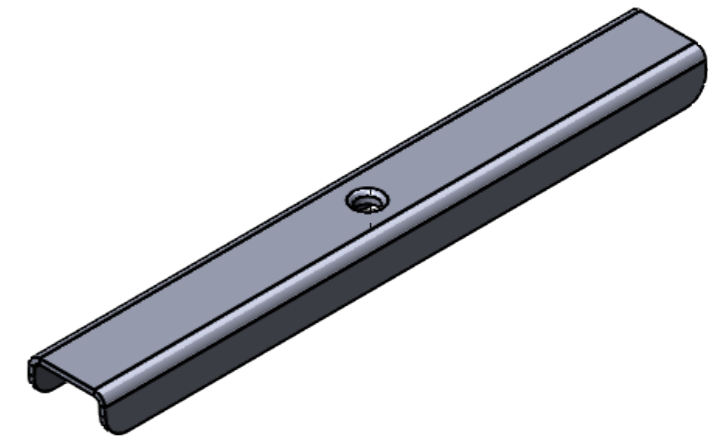
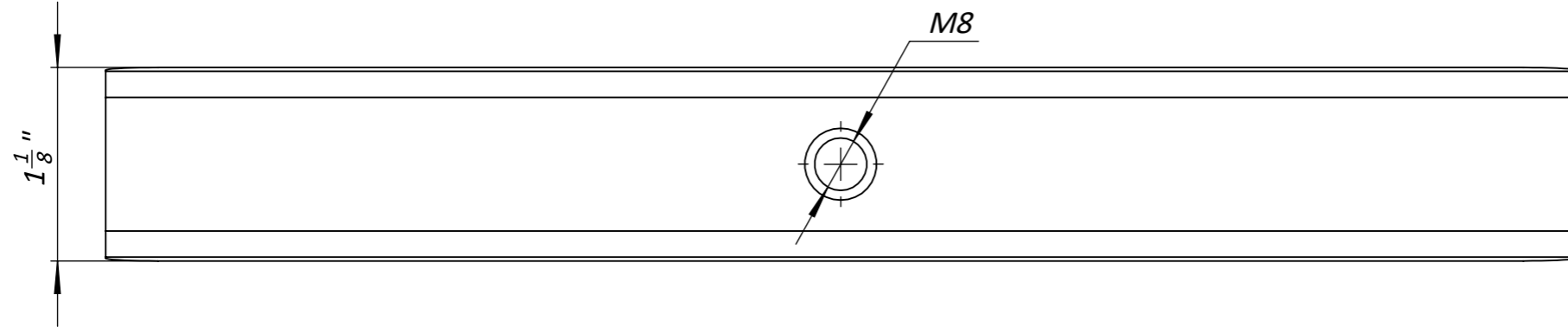
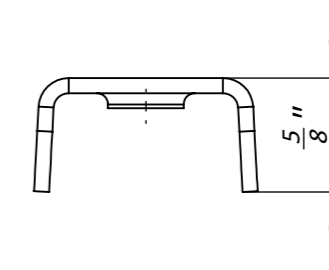
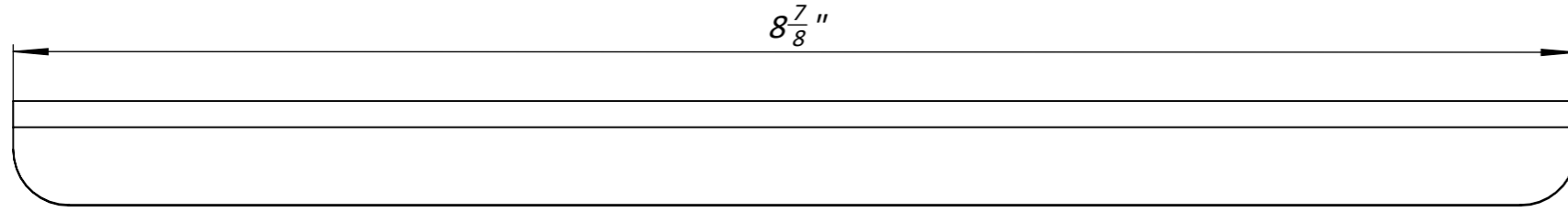


Primary Usage	Reference No.	Sign. and date	Copy inv. No.	Repl. Inv. No.	Sign. and date	Orig. Inv. No.
---------------	---------------	----------------	---------------	----------------	----------------	----------------

8" Steel Fastener



1. Deviation of the actual weight of the nominal can be up to 12%

					Art. 6105			
					8" Steel Fastener			
Rev.	Sheet	Doc. No.	Sign.	Data	6105	Let.	Weight (lb)	Scale
				05.07.19			0.4	1:1
					Sheet		Sheets 1	
					Steel			