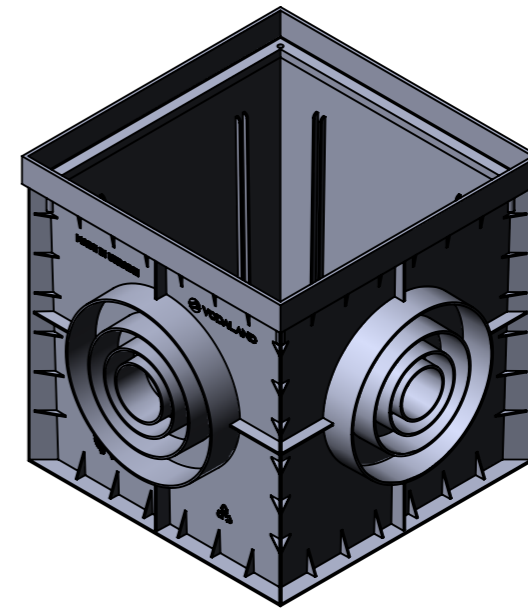
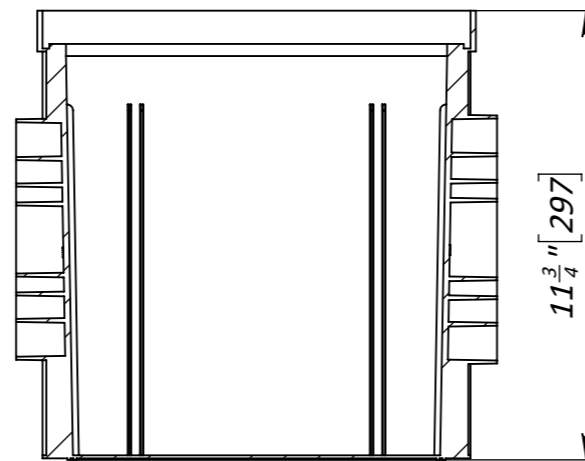



A-A



1. Deviation of the actual weight of the nominal can be up to 8%
2. Dimensions for reference inch, [mm]
3. * - inner dimensions of entrance outlets
4. ** - outer dimensions of exit outlets

UNLESS OTHERWISE SPECIFIED: DIMENSIONS ARE IN MILLIMETERS			FINISH:		DO NOT SCALE DRAWING		REVISION			
SURFACE FINISH:										
TOLERANCES: ISO 2768-c							TITLE:			
LINEAR:					12"x12" Base catch basin black					
ANGULAR:							ARTICLE:			
							MATERIAL:			
							Plastic			
							WEIGHT: 2.98 lb /1.35 kg		SCALE:1:5	
					ARTICLE:		8370			
							SHEET 1 OF 1			
							A3			