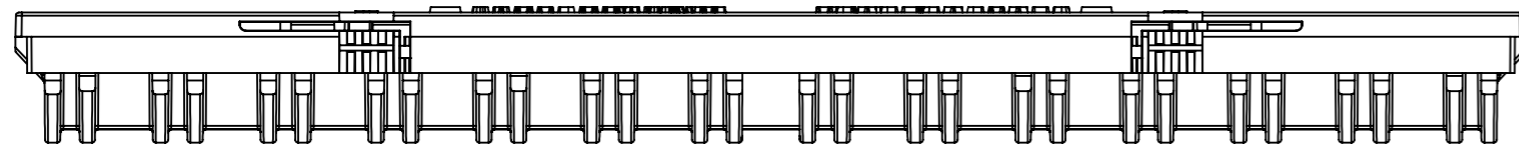
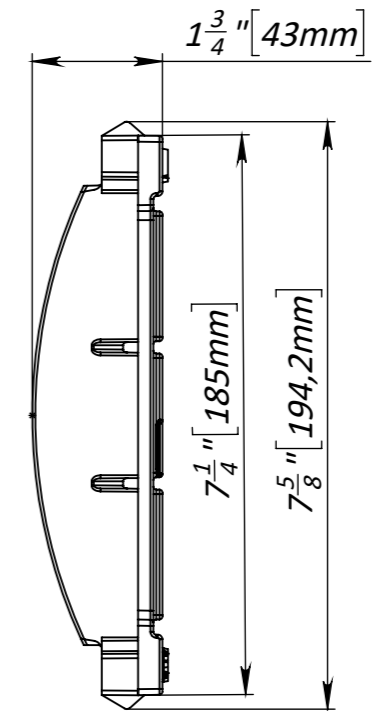
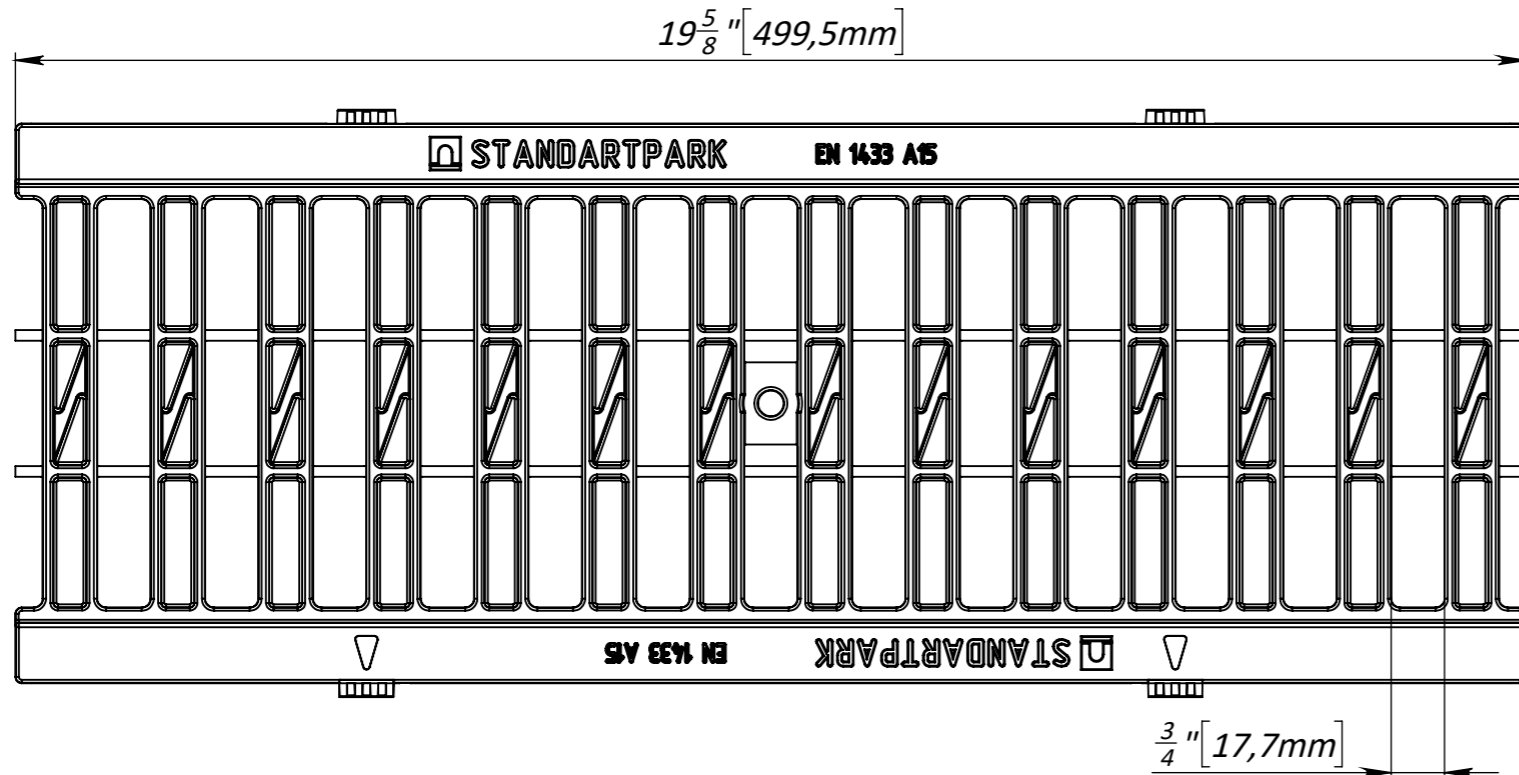


Primary Usage
Reference No.
Sign. and date
Copy inv. No.
Repl. Inv. No.
Sign. and date
Orig. Inv. No.

6" Plastic Grating Slotted



1. Area of water intake slots 49 sq in [318 sq cm]
2. Deviation of the actual weight of the nominal can be up to 10%

					Art. 22801			
					6" Plastic Grating Slotted			
Rev.	Sheet	Doc. No.	Sign.	Data	22801	Let.	Weight (lb)	Scale
							3.00	1:2.5
					Load Class A	Sheet	Sheets 1	
					Plastic			