

6" Pipe Adapter

Primary Usage

Reference No.

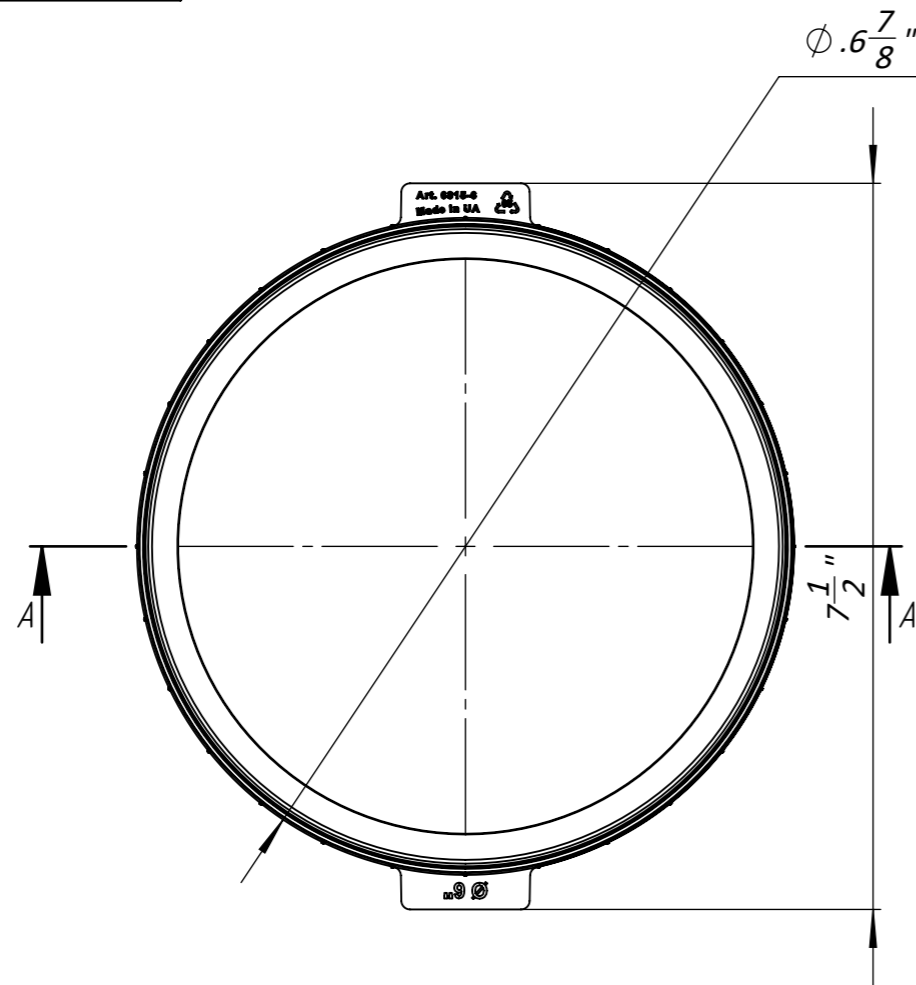
Sign. and date

Copy inv. No.

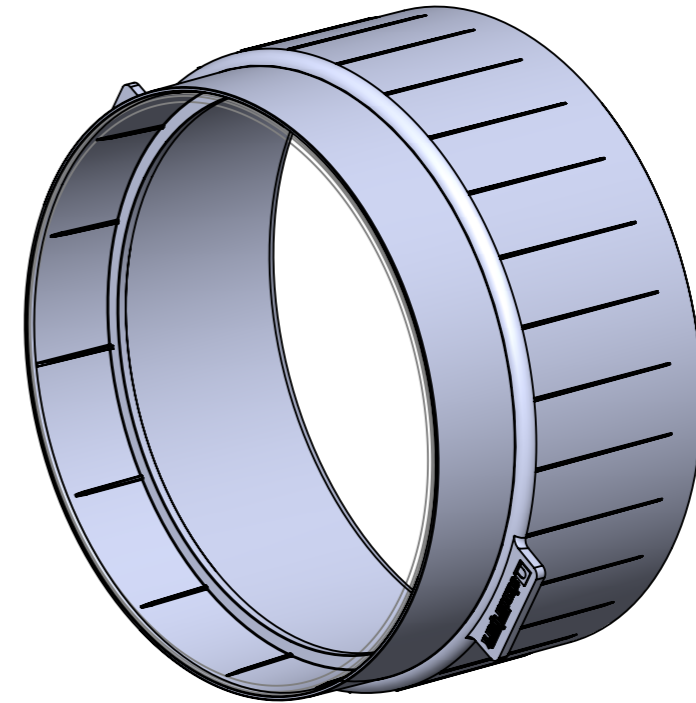
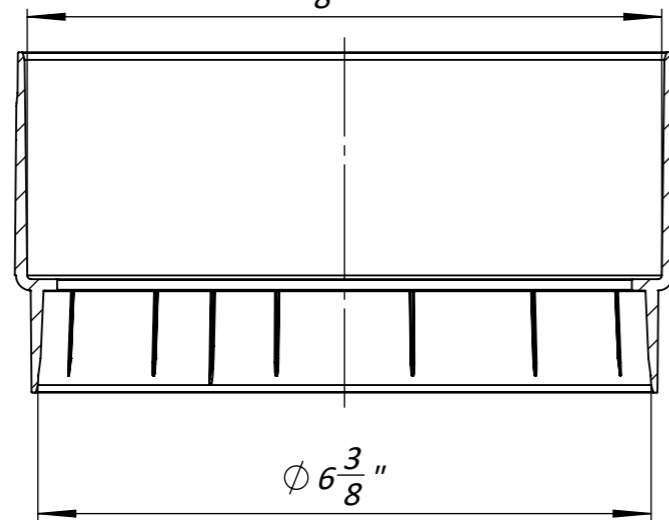
Repl. Inv. No.

Sign. and date

Orig. Inv. No.



A-A  
1:2  
 $\phi 6 \frac{5}{8}$  " (6")



					Art. 6815-6			
					6" Pipe Adapter			
Rev.	Sheet	Doc. No.	Sign.	Data	<b>6815-6</b>	Let.	Weight (lb)	Scale
				30.01.20			0.28	1:3
					Sheet		Sheets 1	
					Plastic			