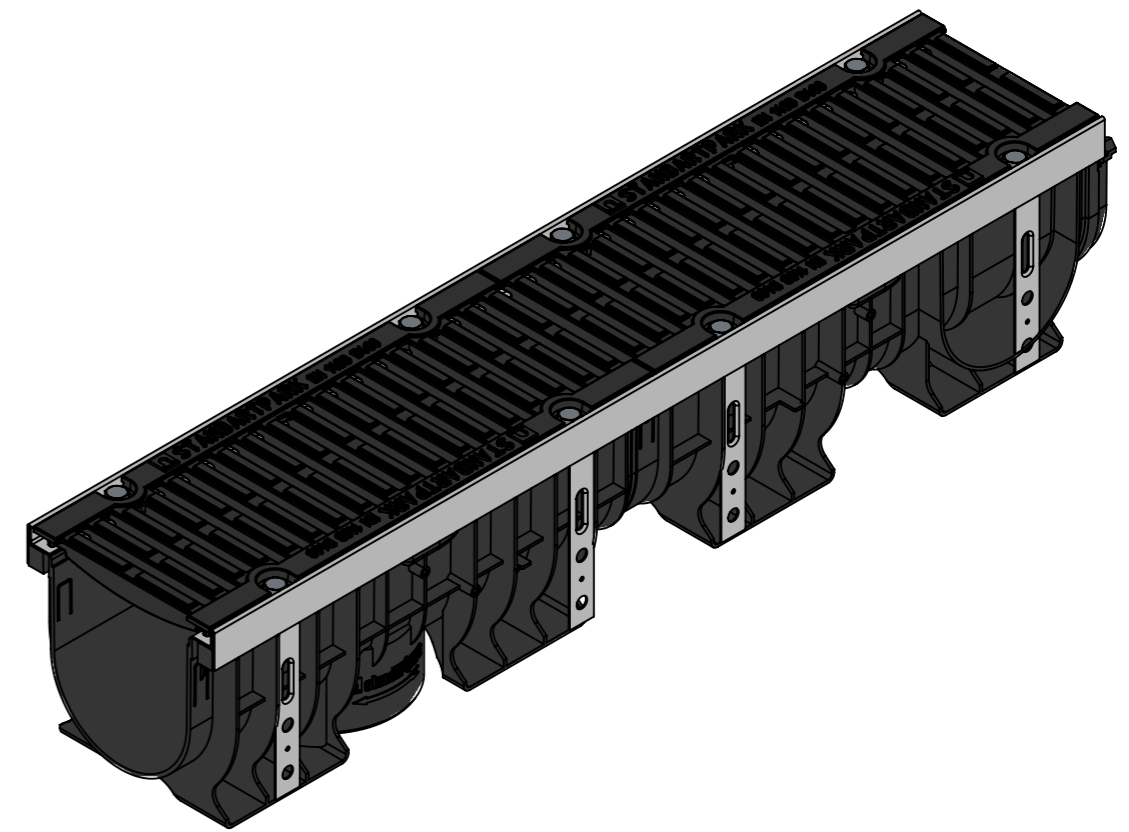
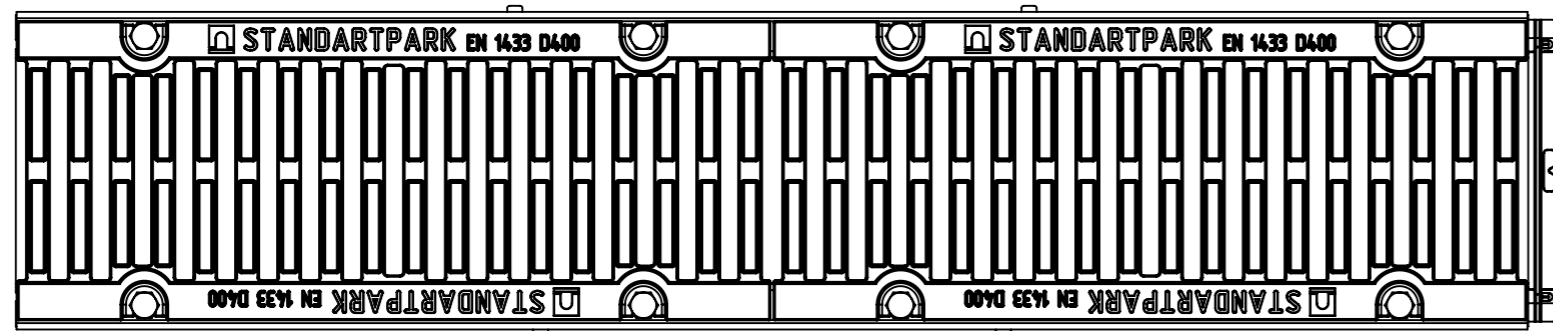
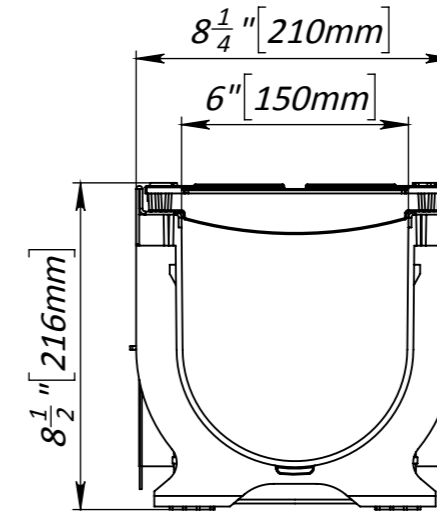
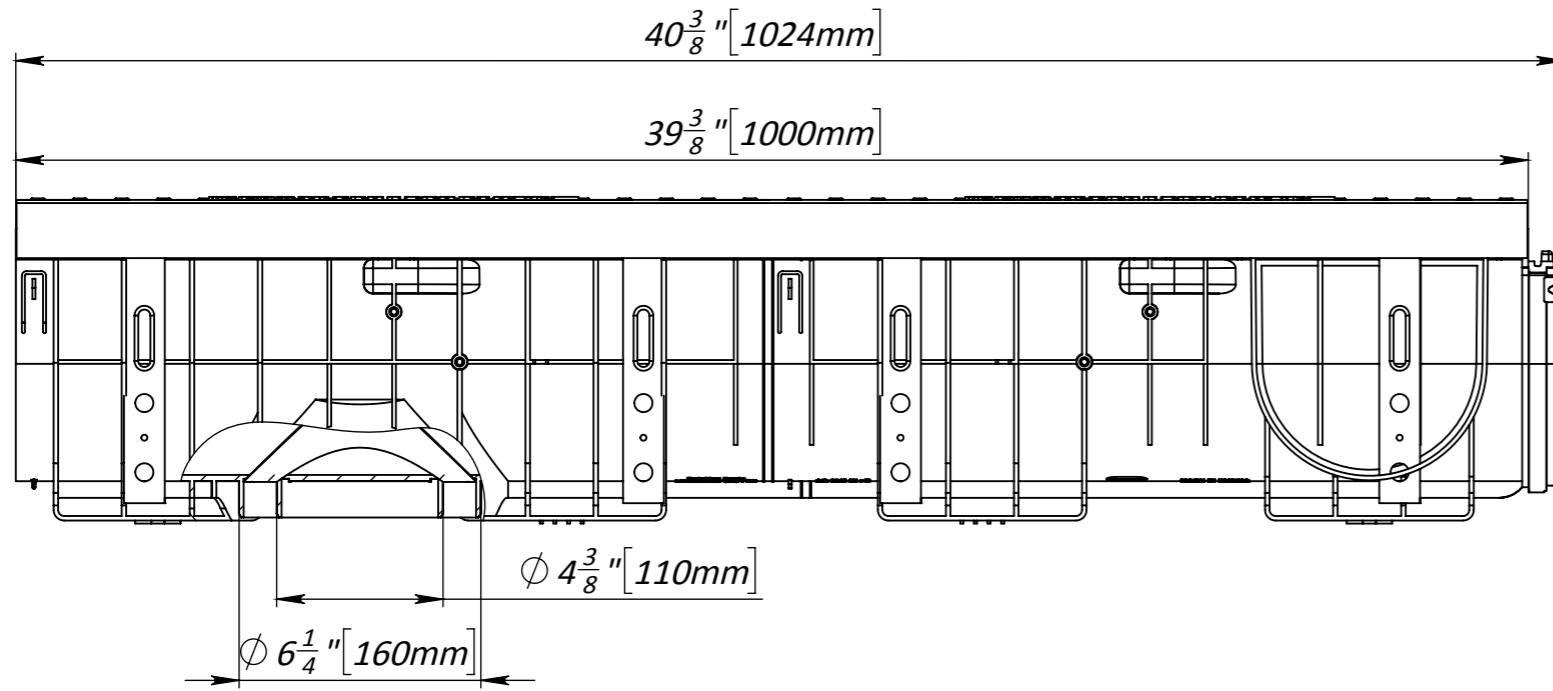


Primary Usage
Reference No.
Sign. and date
Copy inv. No.
Repl. Inv. No.
Sign. and date
Orig. Inv. No.

6" Plastic Drainage Set



- 1. Area of water intake slots 96 sq in [618 sq cm]
- 2. Deviation of the actual weight of the nominal can be up to 12%

				Art. 0824004				
				6" Plastic Drainage Set				
Rev.	Sheet	Doc. No.	Sign.	Data	0824004	Let.	Weight (lb)	Scale
				05.08.17			17.3	1:5
					Load Class D	Sheet	Sheets 1	
					Plastic, Ductile Cast Iron, Steel			