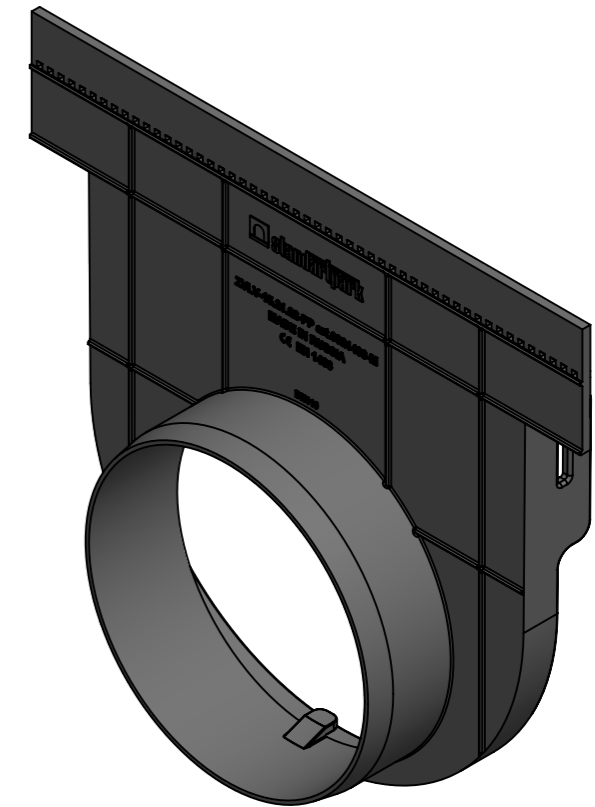
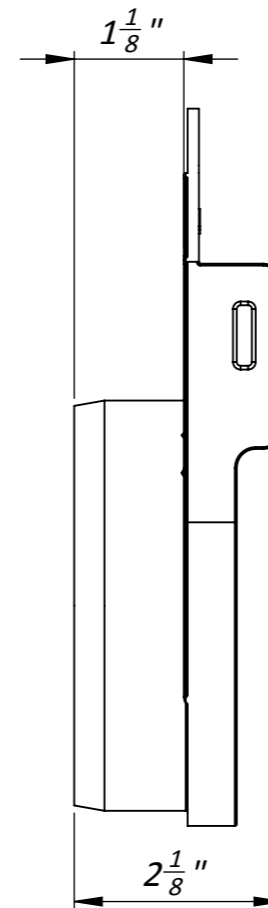
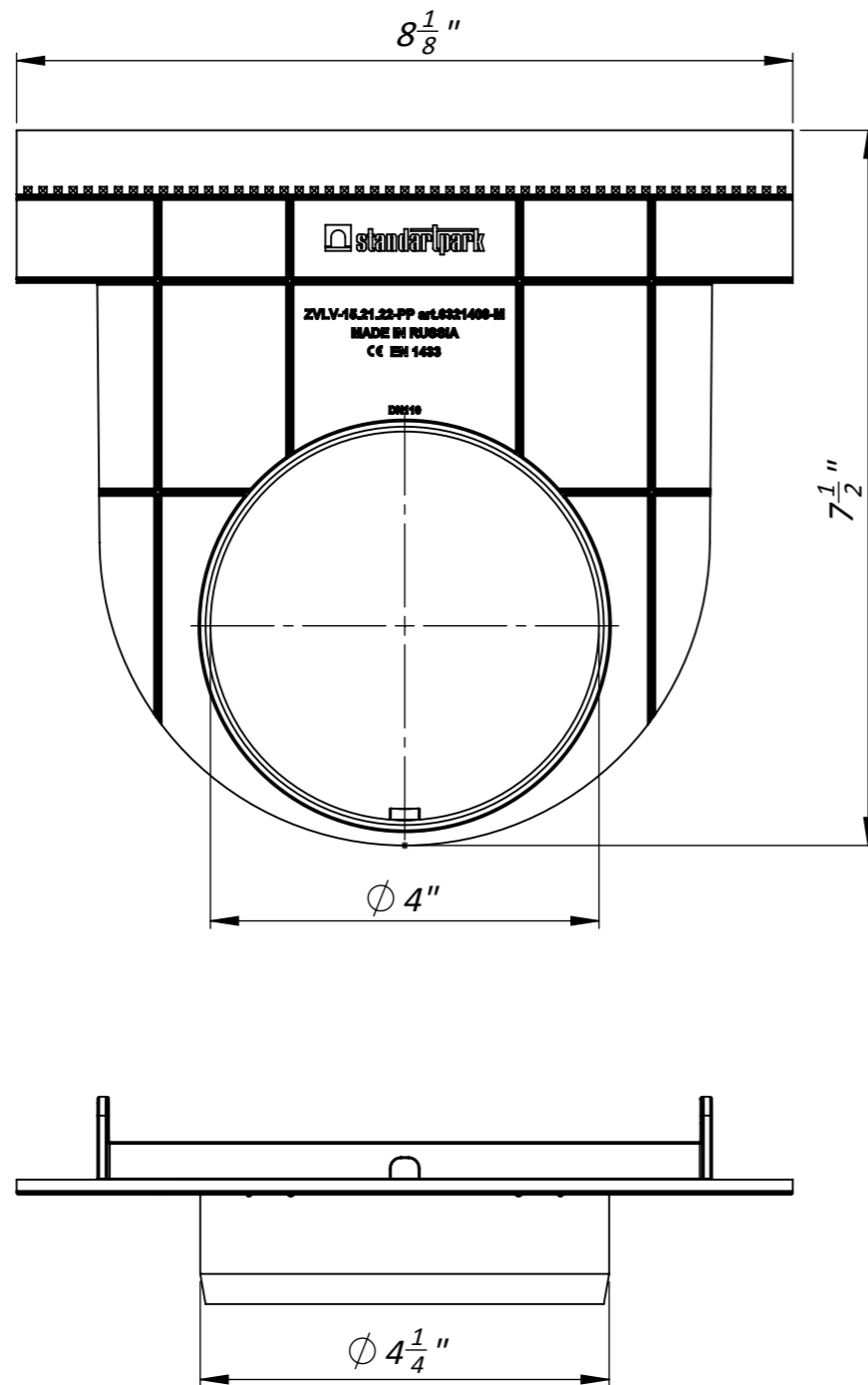


Primary Usage					
Reference No.					
Sign. and date					
Copy inv. No.					
Repl. Inv. No.					
Sign. and date					
Orig. Inv. No.					

6" End Cap with outlet



Deviation of the actual weight of the nominal can be up to 10%

					Art. 6321408-M		
					6" End Cap with outlet		
					Let.	Weight (lb)	Scale
						0.2	1:2
					Sheet	Sheets 1	
					Plastic		