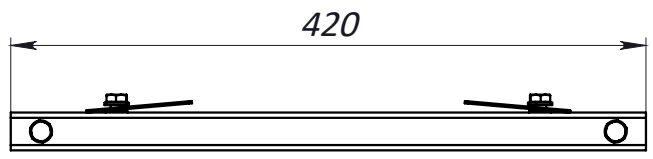


4 3 2 1

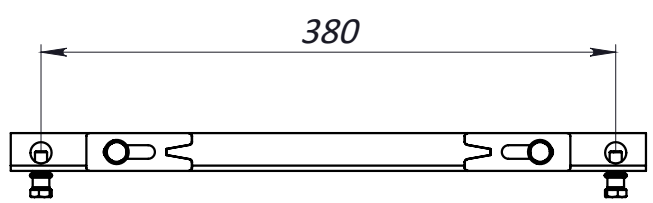
F

F



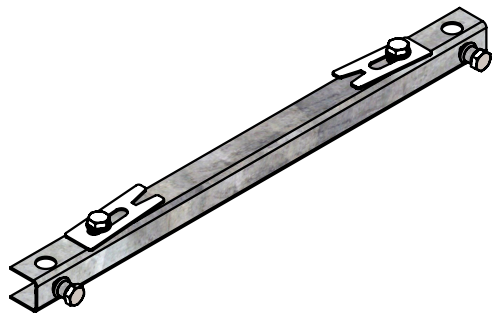
E

E



D

D



C

C

1. *Dimensions for reference*
2. *Delivery and packaging are carried out in accordance with the terms of the contract*
3. *The manufacturer reserves the right, without notice to the consumer, to make changes to the design of the products for improvement of their technological and operational parameters, which will not affect the quality and properties of the product.*

B

B

UNLESS OTHERWISE SPECIFIED:
DIMENSIONS ARE IN MILLIMETERS
SURFACE FINISH:
TOLERANCES: ISO 2768-c
LINEAR:
ANGULAR:

FINISH:

DEBURR AND
BREAK SHARP
EDGES

DO NOT SCALE DRAWING

REVISION



A

A

	NAME	SIGNATURE	DATE
DRAWN	Halushka		05.08.22
CHK'D	Karetin		
APPV'D			
MFG			
Q.A			

TITLE: Installation Mounting Bracket for Plastic channel DN200	
MATERIAL: Galvanized Steel	ARTICLE: 6154
WEIGHT: 0.468 kg	SCALE: 1:5
	SHEET 1 OF 1

4 3 2 1