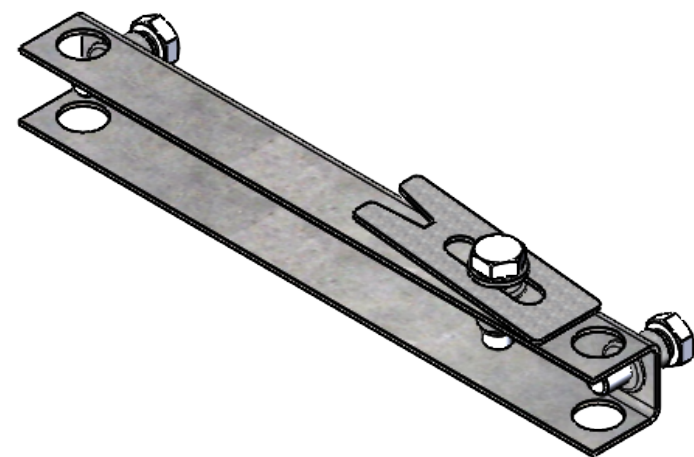



$\phi \frac{1}{2}$  " [14]



1. Dimensions for reference, inch [mm]
2. Delivery and packaging are carried out in accordance with the terms of the contract
3. The manufacturer reserves the right, without notice to the consumer, to make changes to the design of the products for improvement of their technological and operational parameters, which will not affect the quality and properties of the product.

UNLESS OTHERWISE SPECIFIED: DIMENSIONS ARE IN MILLIMETERS SURFACE FINISH: TOLERANCES: ISO 2768-c LINEAR: ANGULAR:		FINISH:		DEBURR AND BREAK SHARP EDGES		DO NOT SCALE DRAWING		REVISION	
DRAWN Markovych		SIGNATURE		DATE 05.05.23		 <b>TITLE:</b> 4" Plastic Channel Installation Mounting Bracket for L-type Slot Drain L-type			
CHK'D Halushka									
APPV'D									
MFG									
Q.A									
				MATERIAL: Galvanized Steel		ARTICLE: 6104L		A3	
				WEIGHT: 0,6 lb /0.257kg		SCALE:1:2		SHEET 1 OF 1	