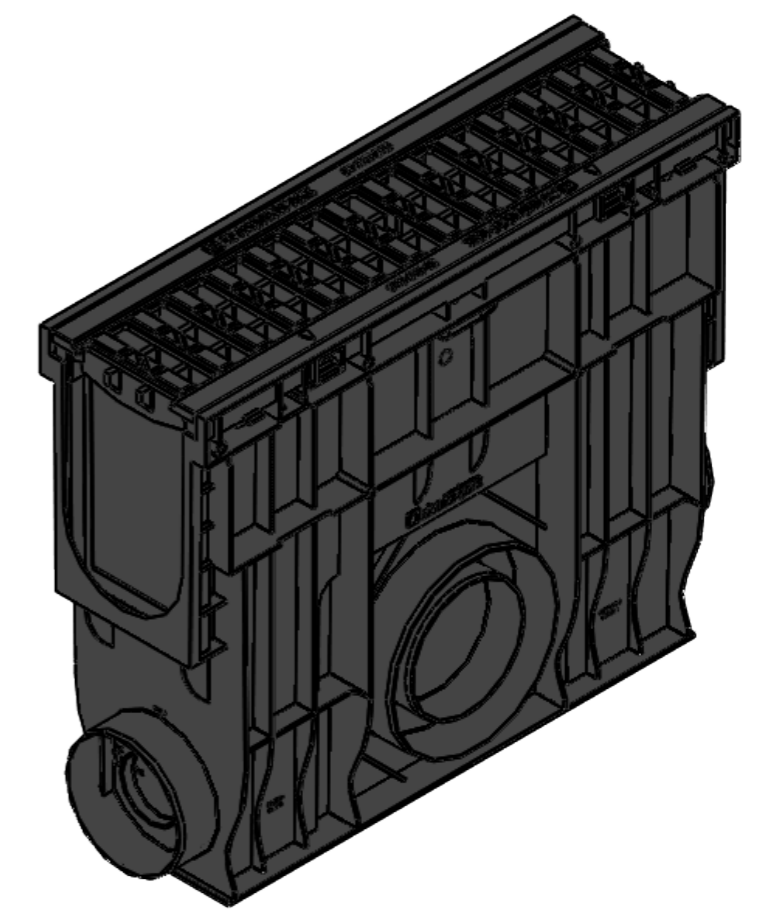
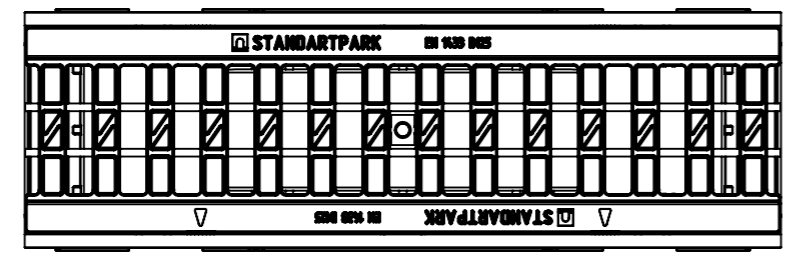
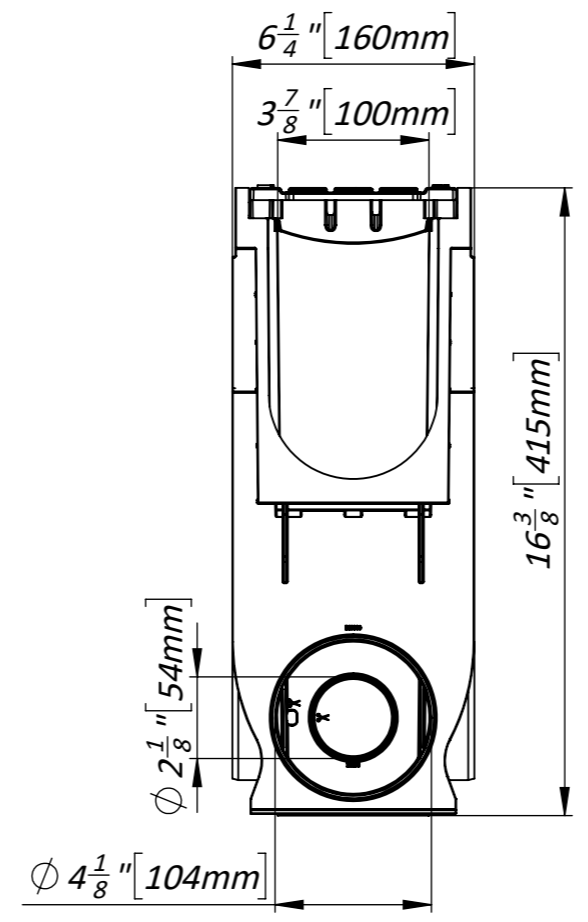
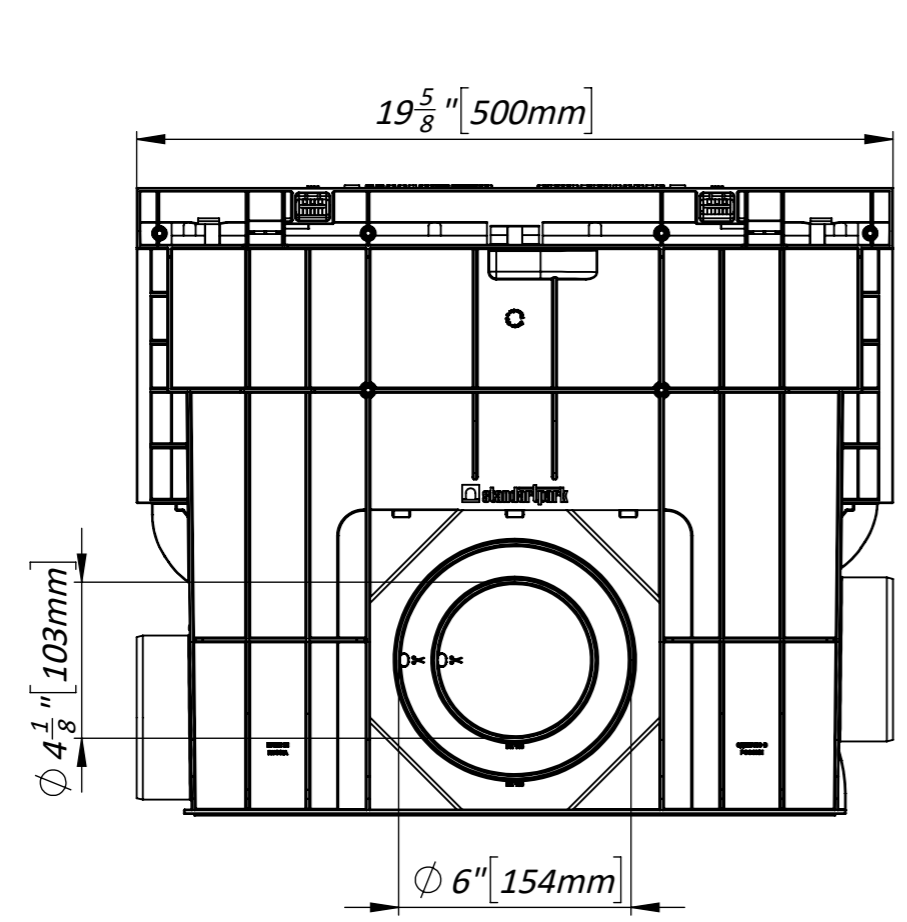


Primary Usage	Reference No.	Sign. and date	Copy inv. No.	Repl. Inv. No.	Sign. and date	Orig. Inv. No.
---------------	---------------	----------------	---------------	----------------	----------------	----------------

4" Plastic Sand Trap Set



1. Area of water intake slots 28 sq in [180 sq cm]
2. Deviation of the actual weight of the nominal can be up to 10%

					Art. 08080821-M			
					4" Plastic Sand Trap Set			
Rev.	Sheet	Doc. No.	Sign.	Data	08080821-M	Let.	Weight (lb)	Scale
							7.2	1:5
					Load Class B	Sheet	Sheets 1	
					Plastic			