

4" Plastic Drainage Set

Primary Usage

Reference No.

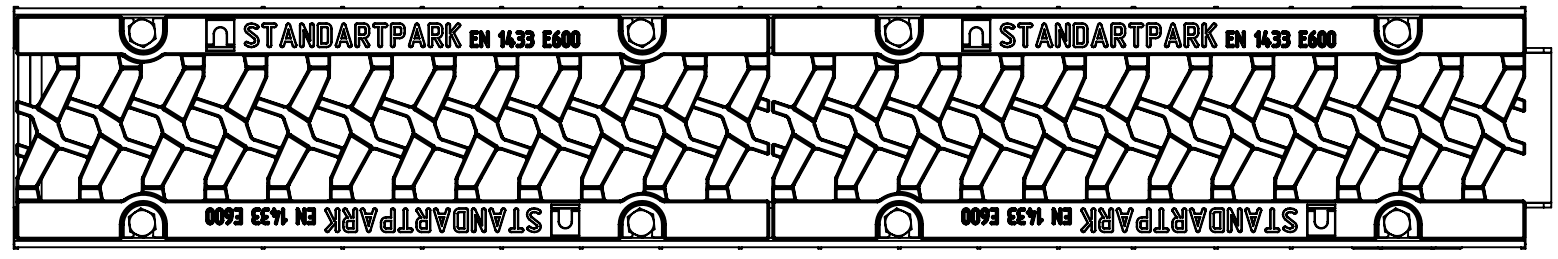
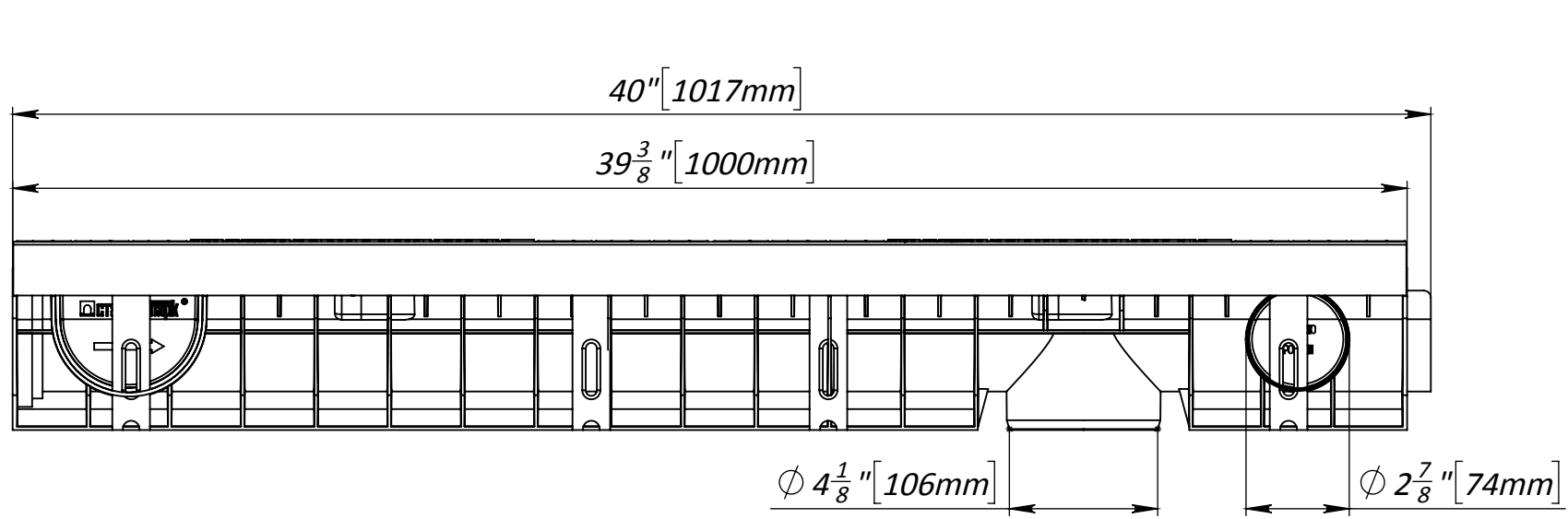
Sign. and date

Copy inv. No.

Repl. Inv. No.

Sign. and date

Orig. Inv. No.



- 1. Area of water intake slots 74 sq in [476 sq cm]
- 2. Deviation of the actual weight of the nominal can be up to 10%

					Art. 0802055				
					<b>4" Plastic Drainage Set</b>				
					<b>0802055</b>		Let.	Weight (lb)	Scale
								31.9	1:5
					Load Class E		Sheet	Sheets 1	
					Plastic, Steel, Ductile Cast Iron		