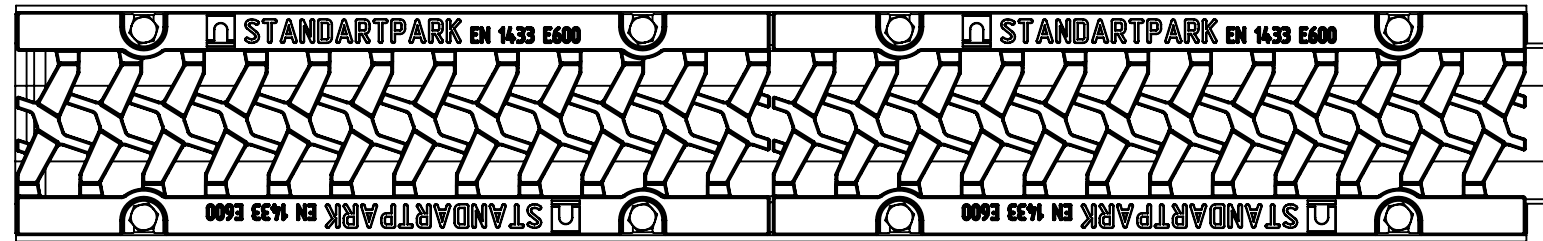
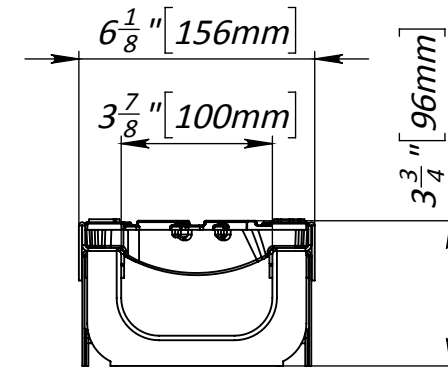
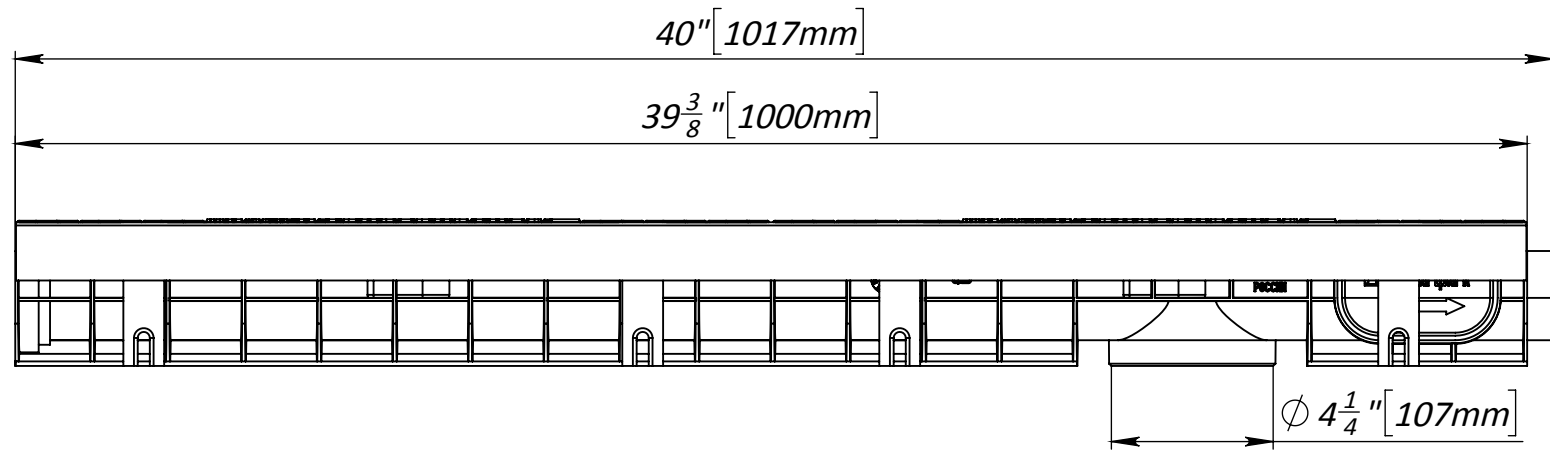


Primary Usage  
Reference No.  
Sign. and date  
Copy inv. No.  
Repl. Inv. No.  
Sign. and date  
Orig. Inv. No.

4" Plastic Drainage Set



- 1. Area of water intake slots 74 sq in [476 sq cm]
- 2. Deviation of the actual weight of the nominal can be up to 10%

					Art. 0801055			
					4" Plastic Drainage Set			
					<b>0801055</b>	Let.	Weight (lb)	Scale
							30.7	1:5
					Load Class E		Sheet	Sheets 1
					Plastic, Steel, Ductile Cast Iron			