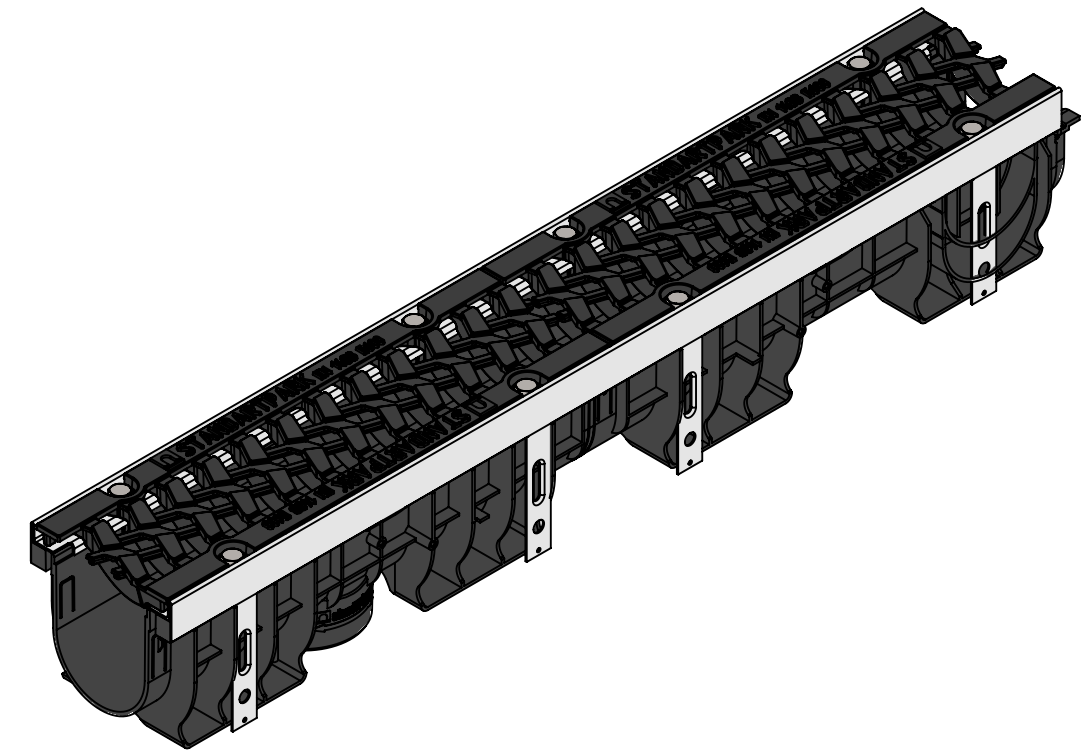
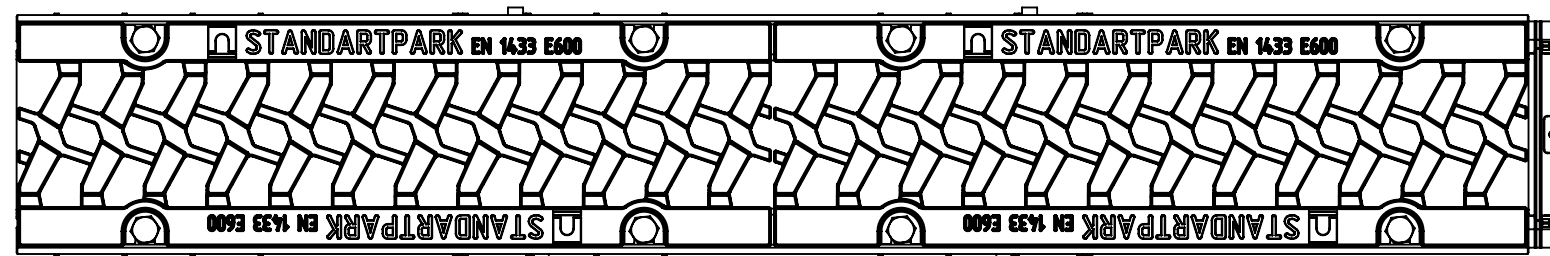
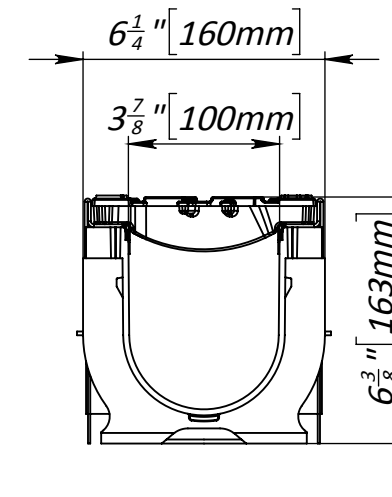
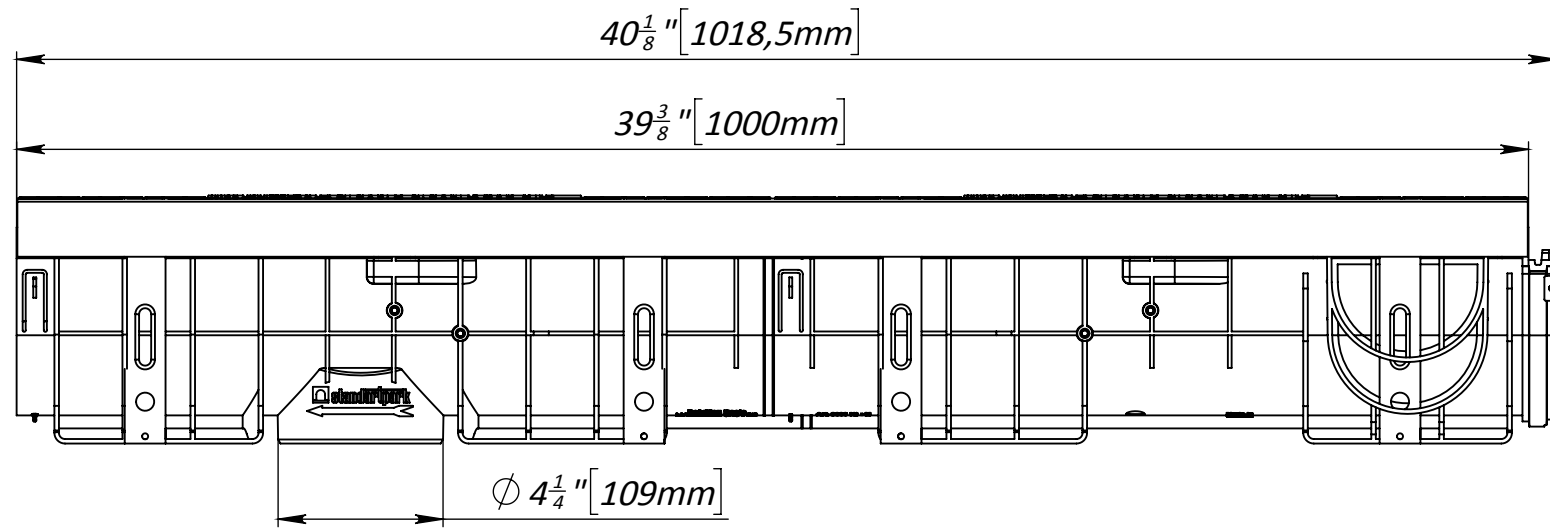


Primary Usage
Reference No.
Sign. and date
Copy inv. No.
Repl. Inv. No.
Sign. and date
Orig. Inv. No.

4" Plastic Drainage Set



- 1. Area of water intake slots 74 sq in [476 sq cm]
- 2. Deviation of the actual weight of the nominal can be up to 10%

					Art. 080055-M			
					4" Plastic Drainage Set			
Rev.	Sheet	Doc. No.	Sign.	Data	080055-M	Let.	Weight (lb)	Scale
				11.09.18			33.16	1:5
					Load Class E		Sheet	Sheets 1
					Plastic, Steel, Ductile Cast Iron			