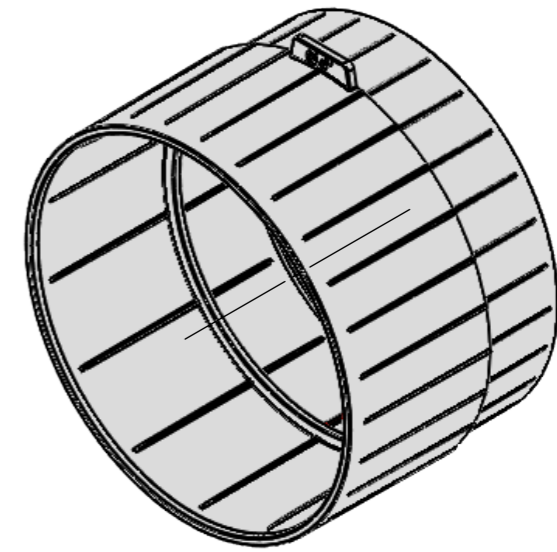
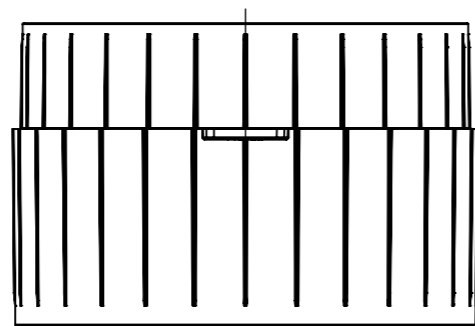
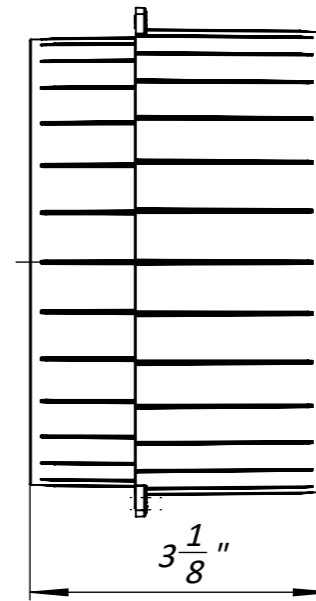
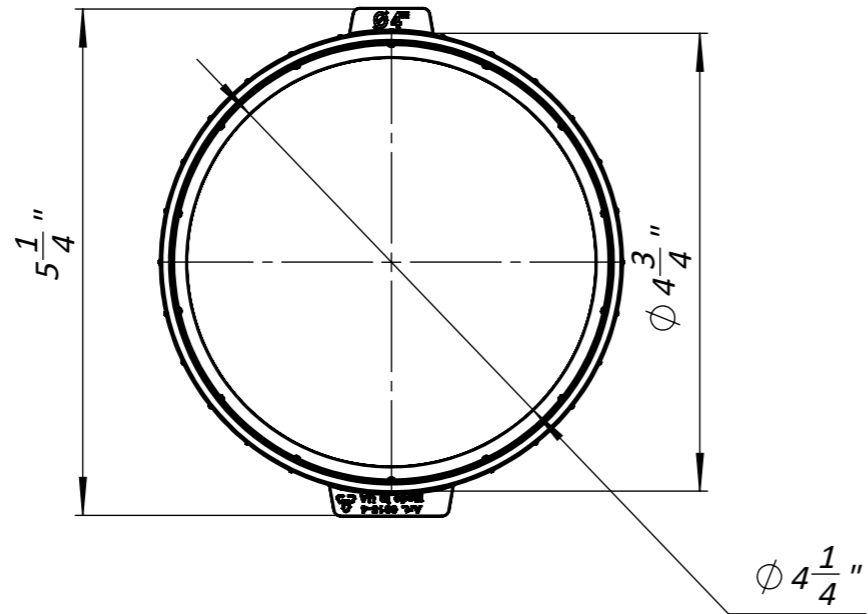


Primary Usage	Reference No.	Sign. and date	Copy inv. No.	Repl. Inv. No.	Sign. and date	Orig. Inv. No.
---------------	---------------	----------------	---------------	----------------	----------------	----------------

4" Pipe Adapter



1. Deviation of the actual weight of the nominal can be up to 12%

					Art. 6815-4			
					4" Pipe Adapter			
Rev.	Sheet	Doc. No.	Sign.	Data	6815-4	Let.	Weight (lb)	Scale
				26.06.19			0.22	1:2
						Sheet	Sheets 1	
					Plastic			