

Primary Usage

Reference No.

Sign. and date

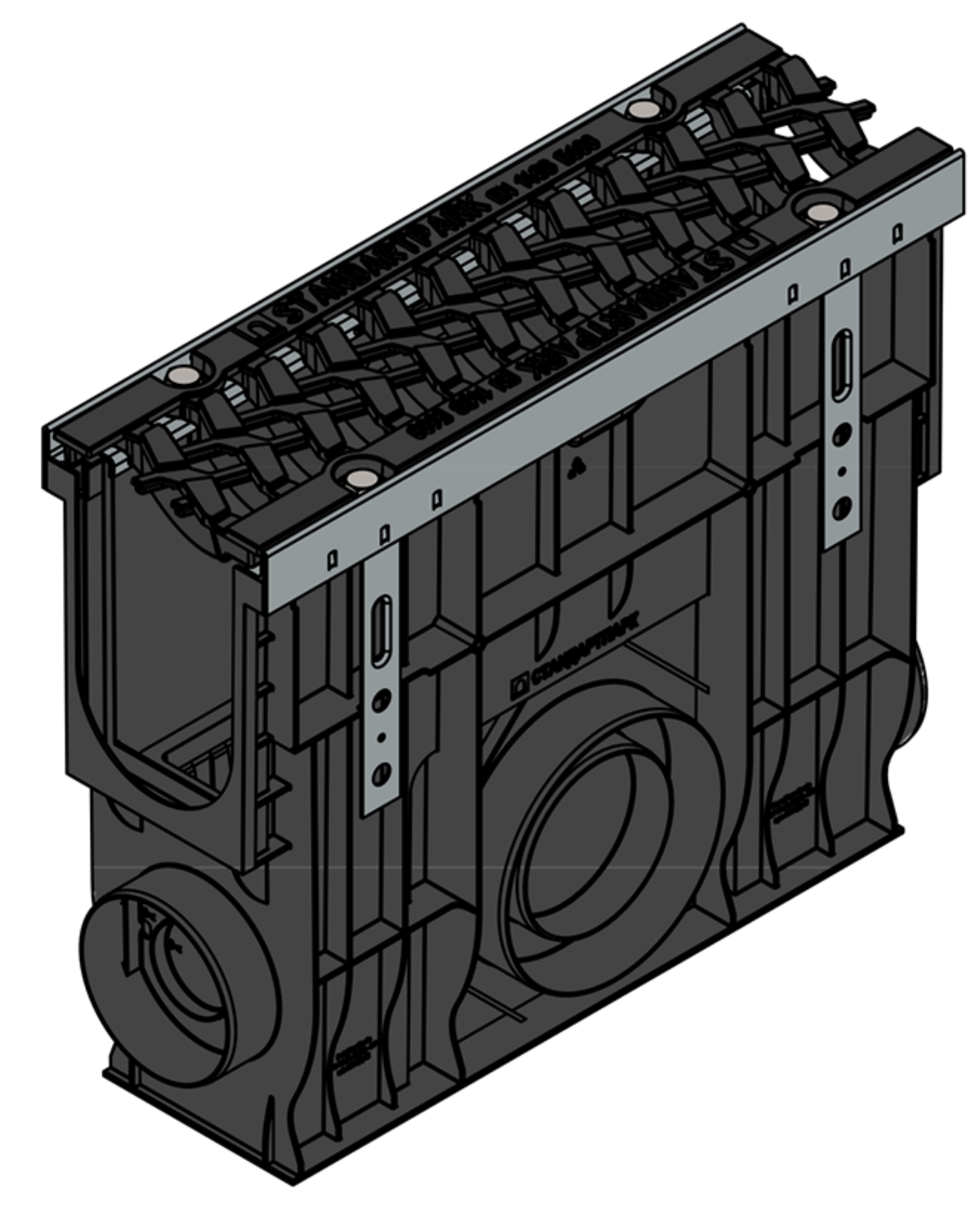
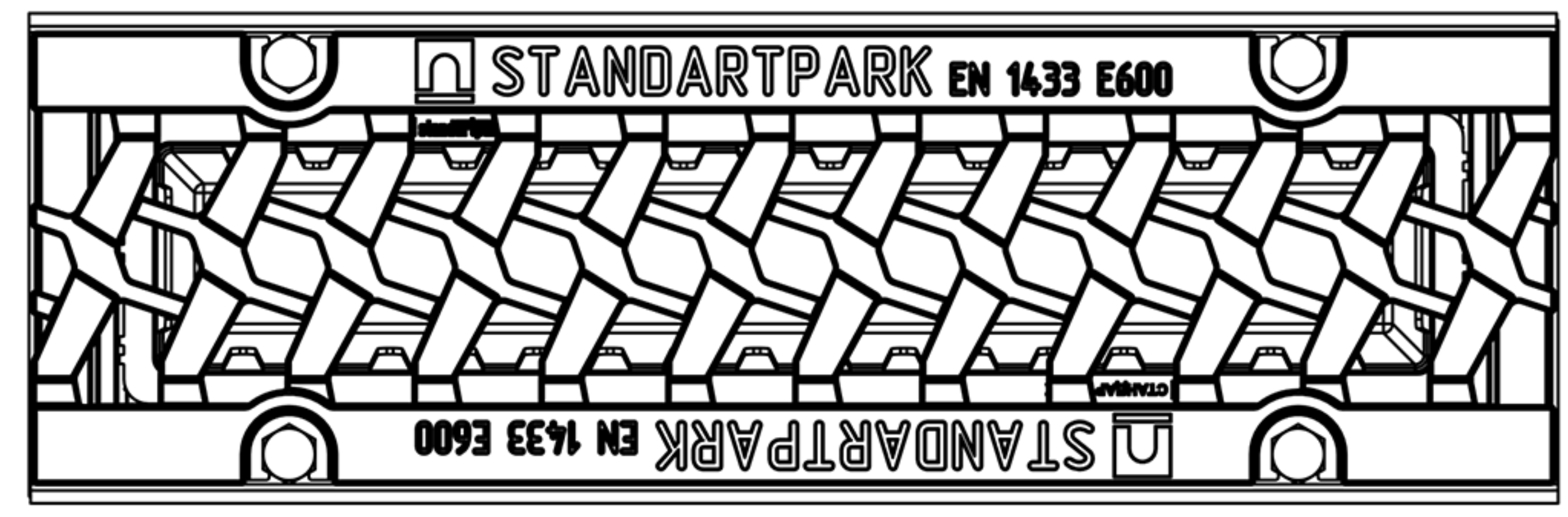
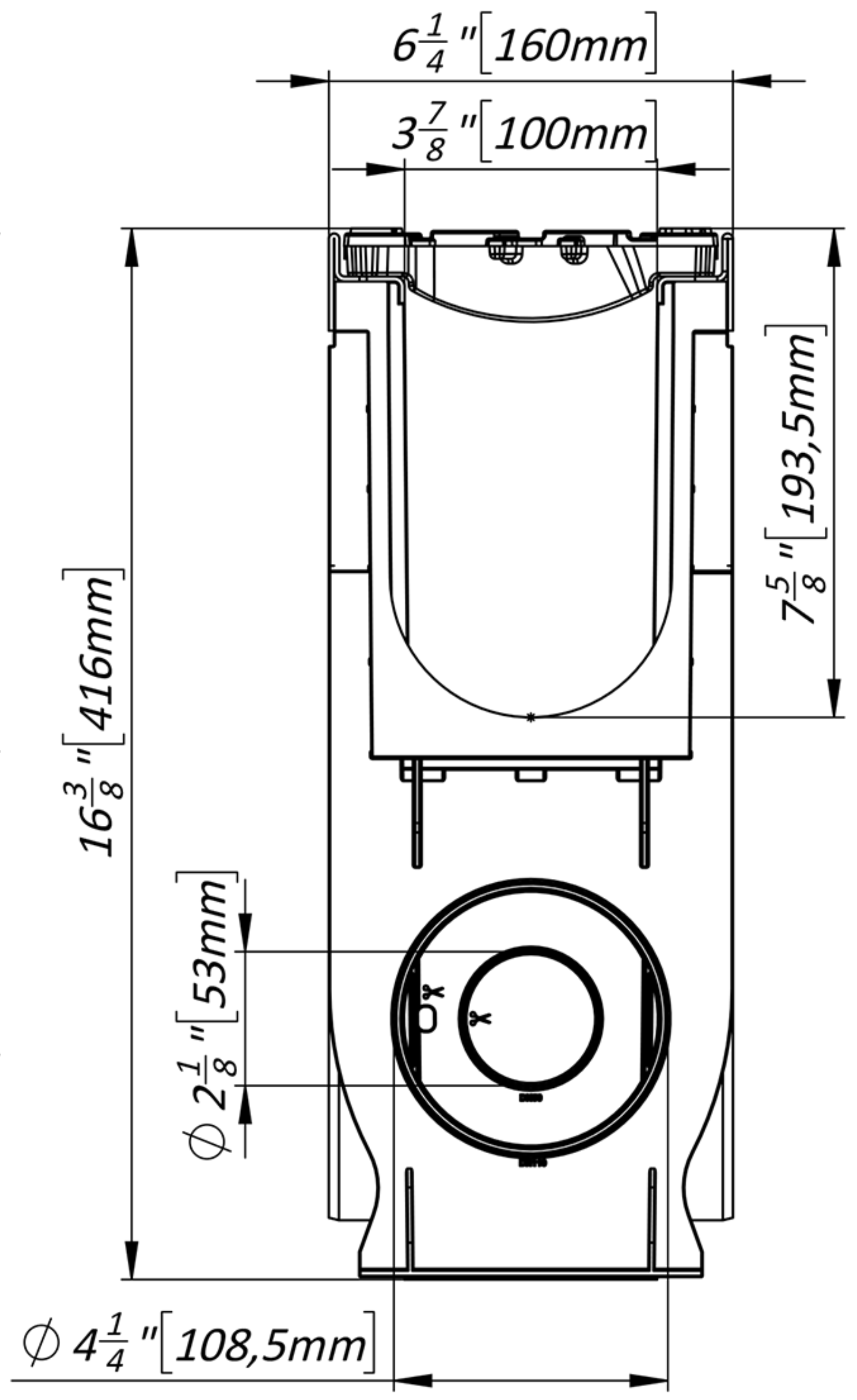
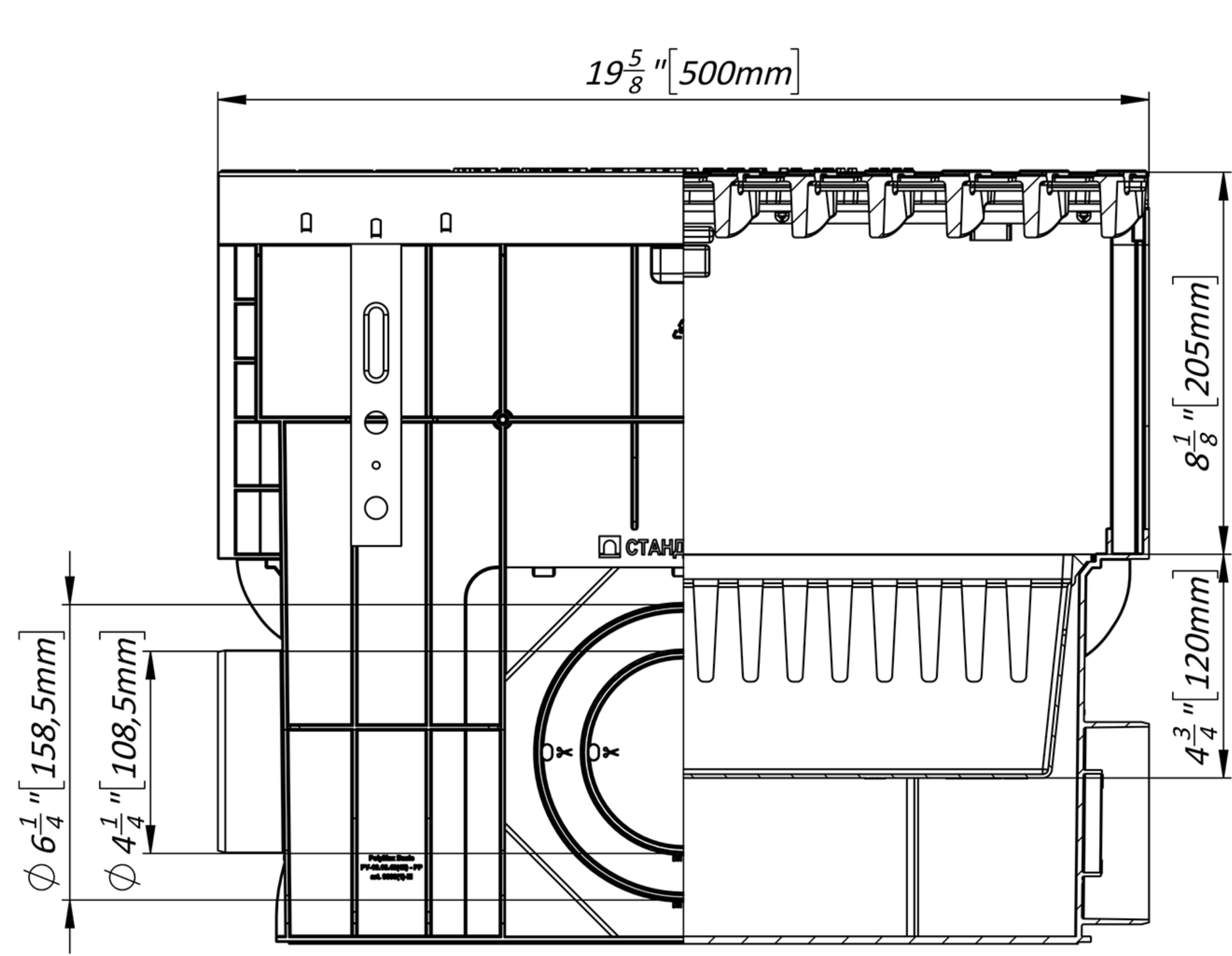
Copy inv. No.

Repl. Inv. No.

Sign. and date

Orig. Inv. No.

4" Plastic Sand Trap Drive



- 1. Area of water intake slots 37 sq in [238 sq cm]
- 2. Deviation of the actual weight of the nominal can be up to 10%

				Art. 0808055-M		
				4" Plastic Sand Trap Drive		
				0808055-M		
				Load Class E		
				Plastic, Steel, Ductile Cast Iron		
				Size A3		

Rev.	Sheet	Doc. No.	Sign.	Data	Let.	Weight (lb)	Scale
				11.09.18		19.74	1:4
						Sheet	Sheets 1