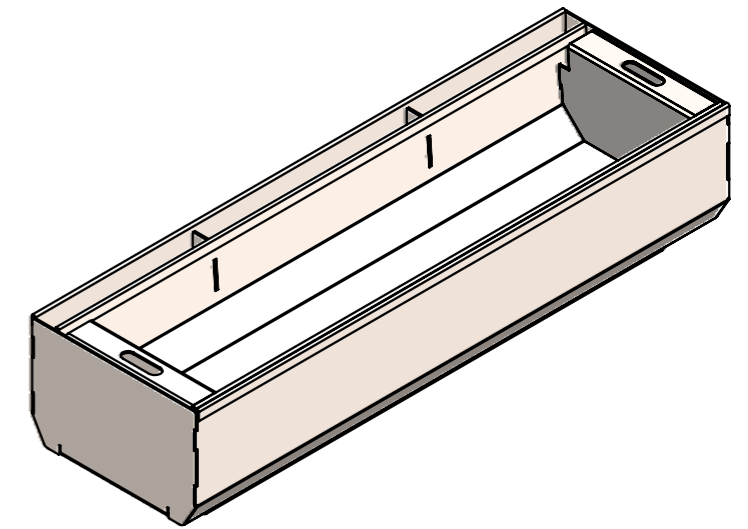
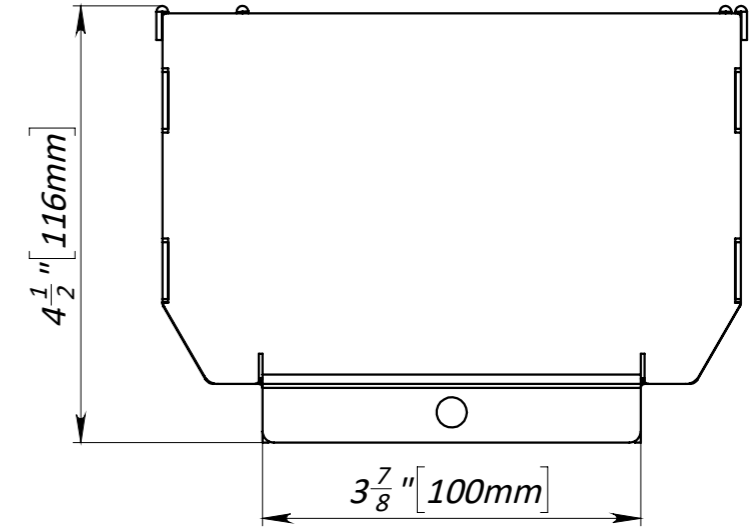
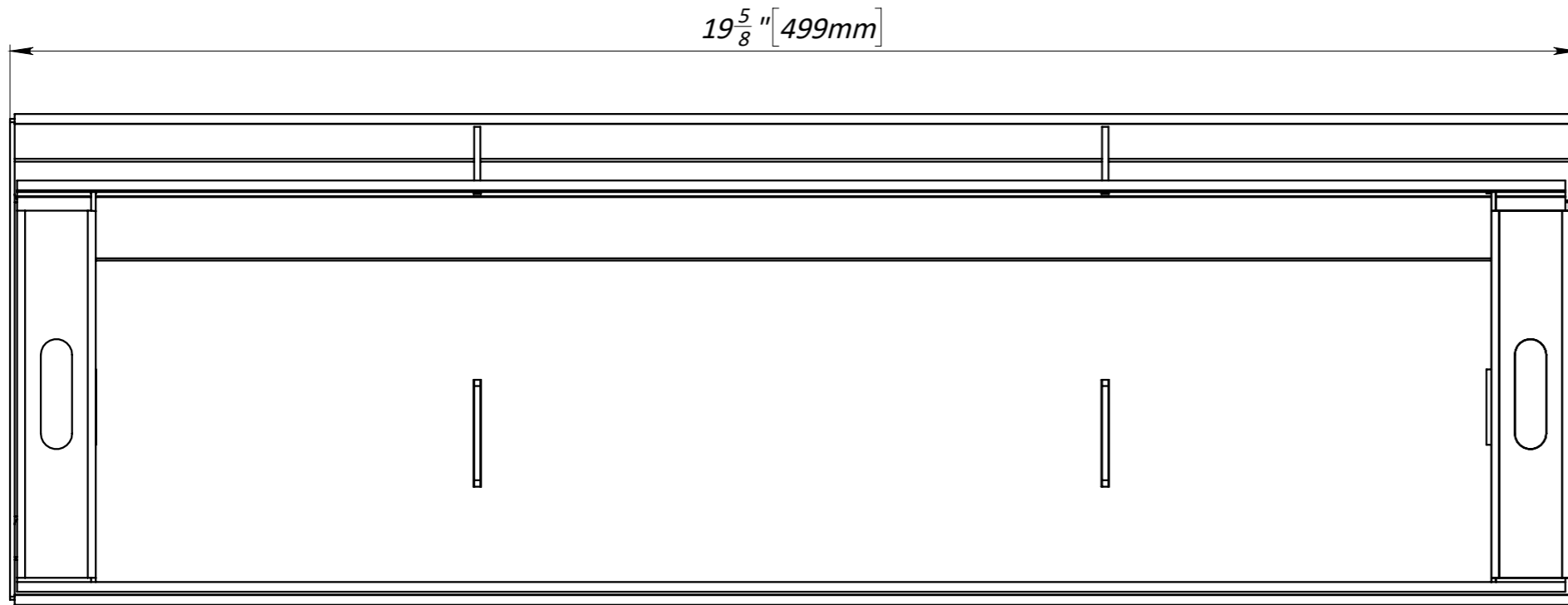
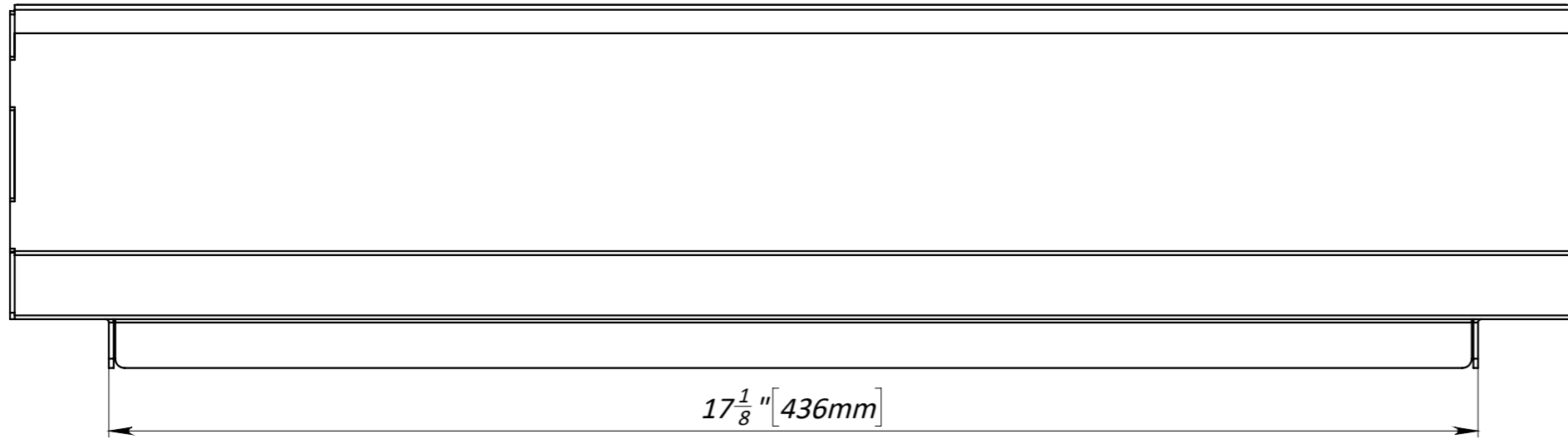


Primary Usage
Reference No.
Sign. and date
Copy inv. No.
Repl. Inv. No.
Sign. and date
Orig. Inv. No.

4" Galvanized Steel Revision Wall Slot Drain



- 1. Area of water intake slots 13 sq in [85 sq cm]
- 2. Deviation of the actual weight of the nominal can be up to 10%

					Art.	20175-1L-100						
					4" Galvanized Steel Revision Wall Slot Drain							
					Rev.	Sheet	Doc. No.	Sign.	Data	Let.	Weight (lb)	Scale
					<b>20175-1L-100</b>						9.47	1:2
										Sheet		Sheets
					Galvanized Steel							