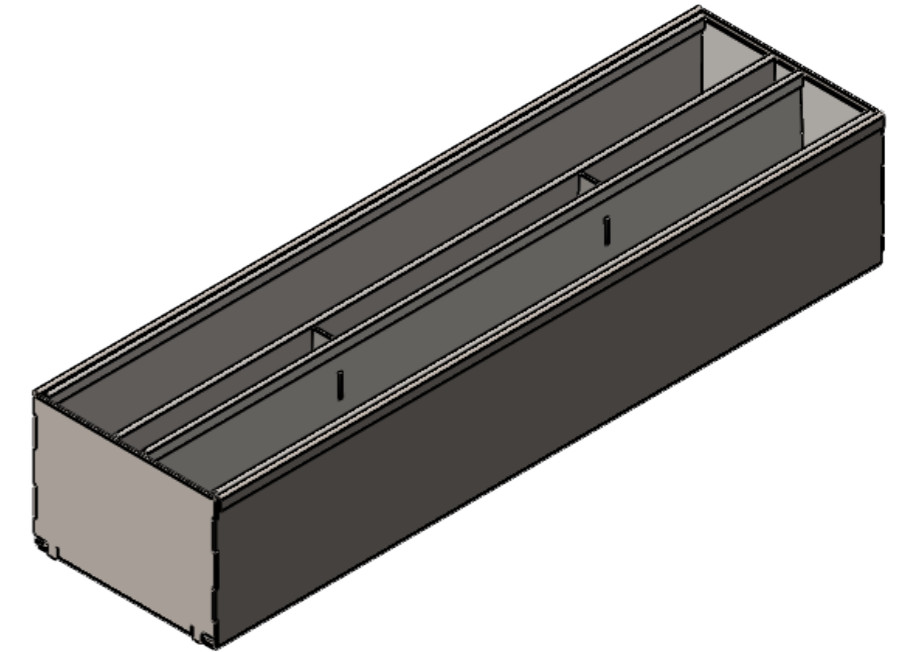
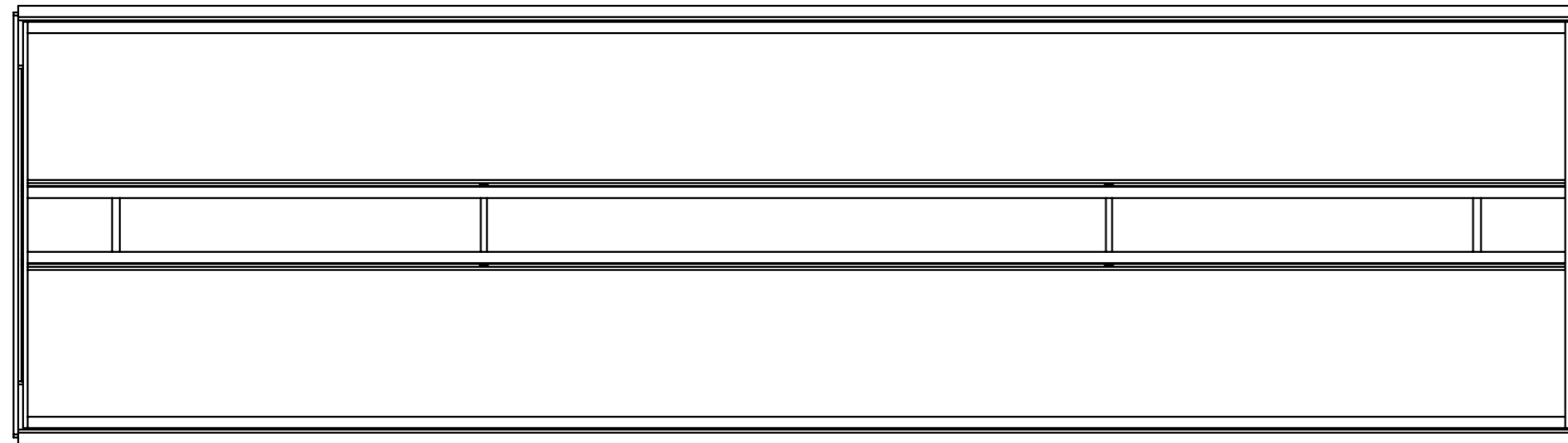
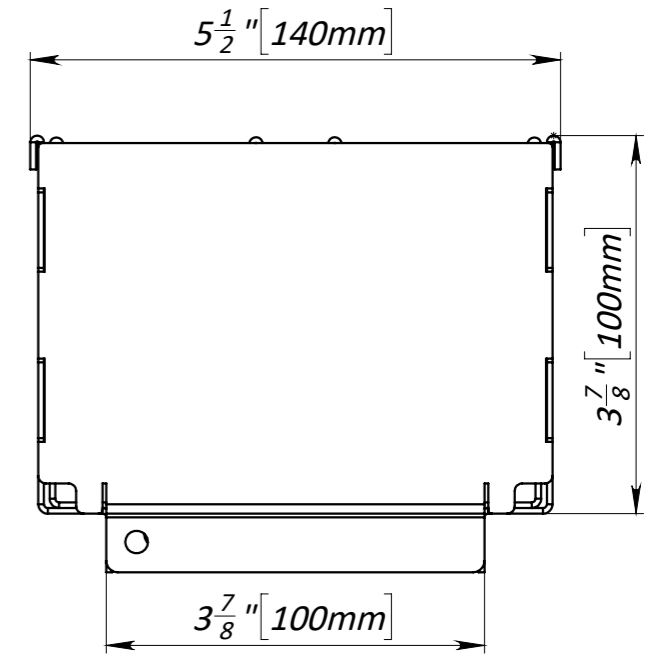
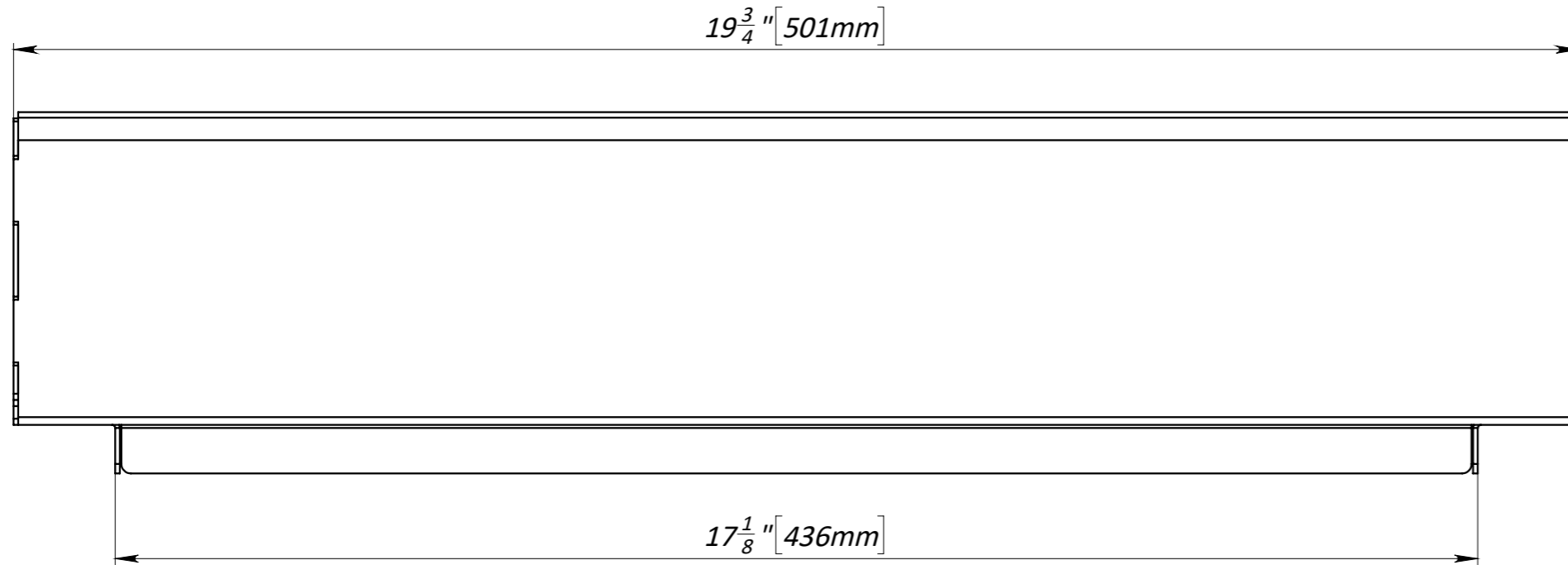


Primary Usage
Reference No.
Sign. and date
Copy inv. No.
Repl. Inv. No.
Sign. and date
Orig. Inv. No.

4" Galvanized Steel Revision Slot Drain



1. Area of water intake slots 13 sq in [85 sq cm]
2. Deviation of the actual weight of the nominal can be up to 10%

					Art. 20175-1T-100
					4" Galvanized Steel Revision Slot Drain
Rev.	Sheet	Doc. No.	Sign.	Data	20175-1T-100
					Let. Weight (lb) Scale
					5.43 1:2
					Sheet Sheets 1
					Galvanized Steel
					STANDARTPARK