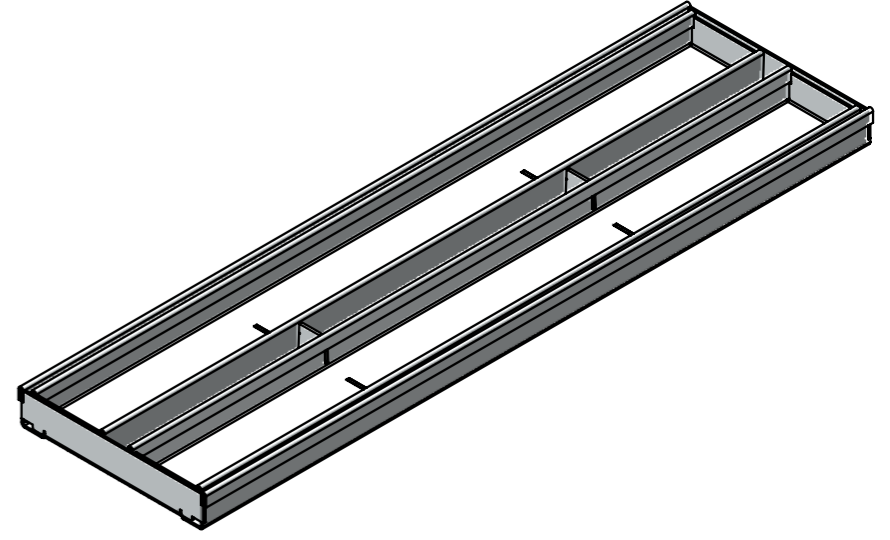
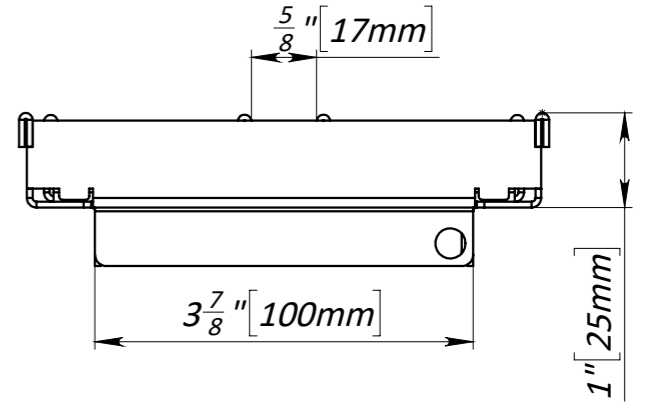
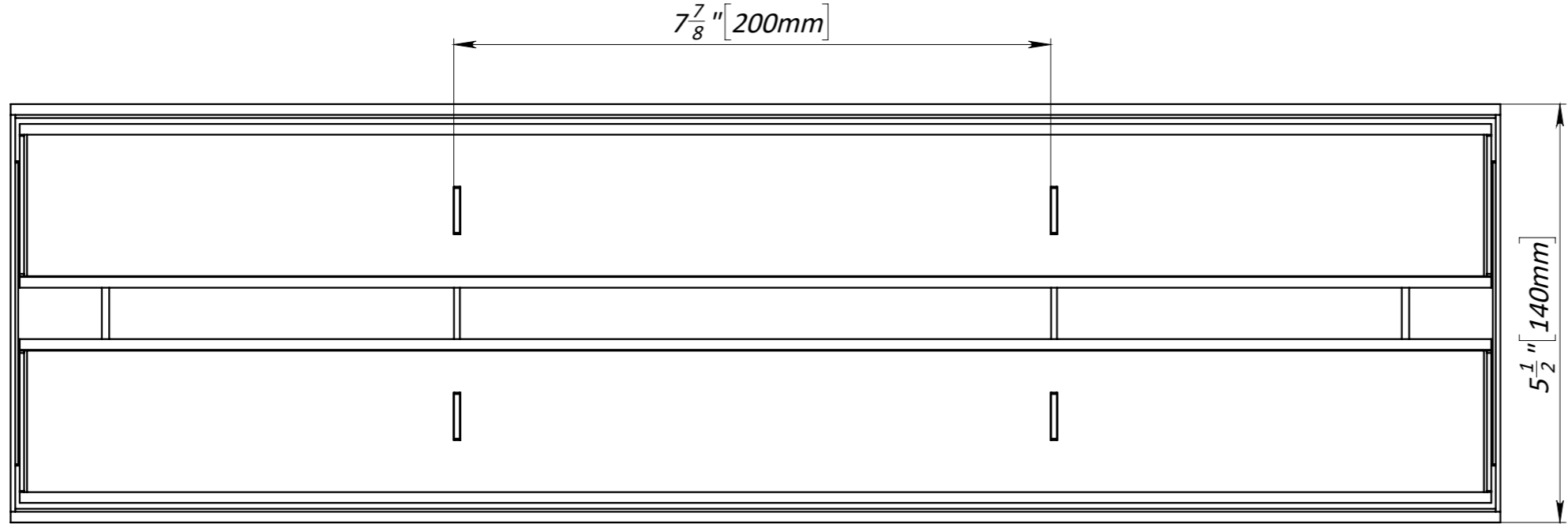
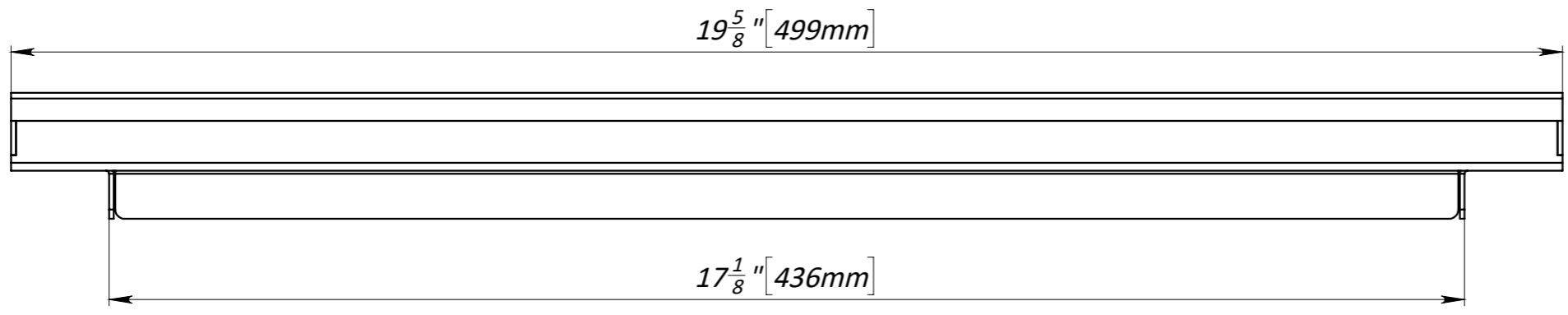


Primary Usage
Reference No.
Sign. and date
Copy inv. No.
Repl. Inv. No.
Sign. and date
Orig. Inv. No.

4" Galvanized Steel Revision Micro Slot Drain



- 1. Area of water intake slots 13 sq in [85 sq cm]
- 2. Deviation of the actual weight of the nominal can be up to 10%

					Art. 20175-1T-25			
					4" Galvanized Steel Revision Micro Slot Drain			
Rev.	Sheet	Doc. No.	Sign.	Data	<b>20175-1T-25</b>	Let.	Weight (lb)	Scale
							5.24	1:2
						Sheet	Sheets 1	
						Galvanized Steel		