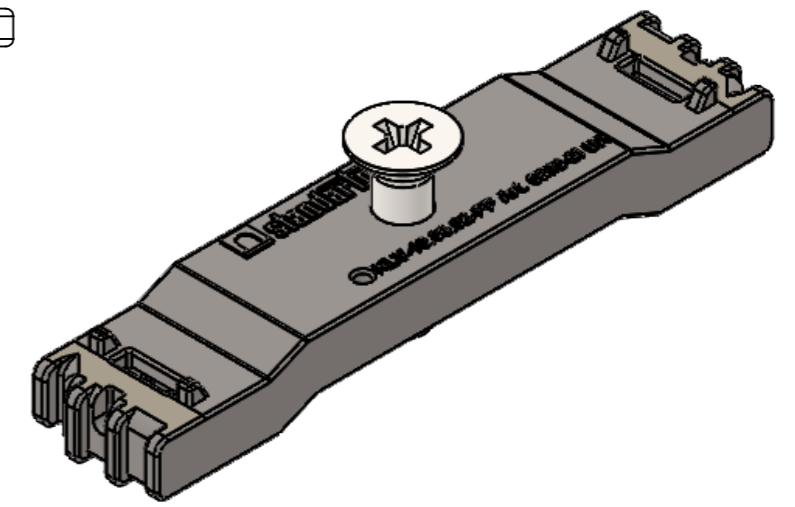
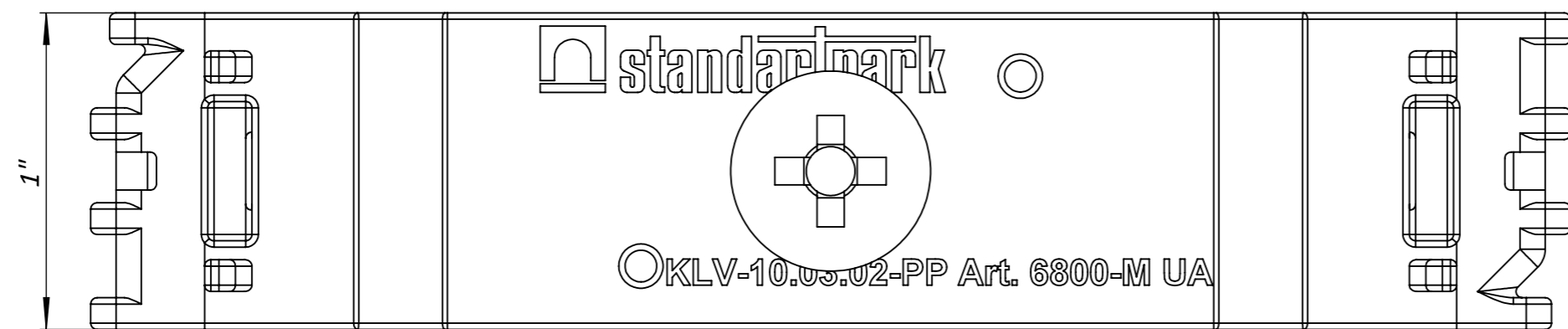
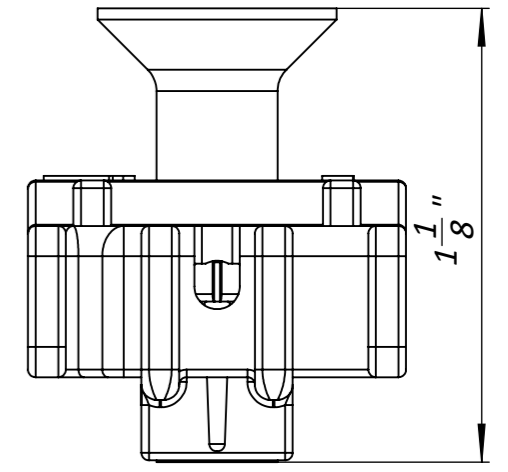
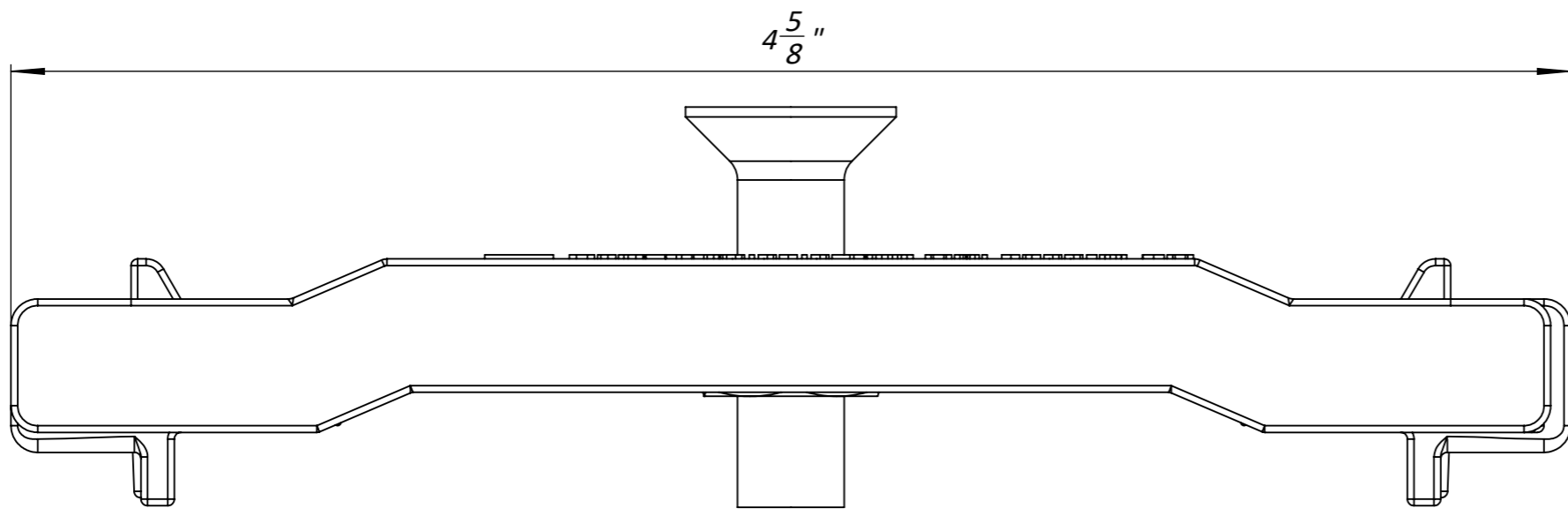


Primary Usage  
Reference No.  
Sign. and date  
Copy inv. No.  
Repl. Inv. No.  
Sign. and date  
Orig. Inv. No.

4" Fastener



1. Deviation of the actual weight of the nominal can be up to 12%

					Art. 6800-M UA			
					4" Fastener			
Rev.	Sheet	Doc. No.	Sign.	Data	<b>6800-M UA</b>	Let.	Weight (lb)	Scale
				26.06.19			0.077	2:1
					Load Classes C		Sheet	Sheets 1
					Plastic		standartpark	