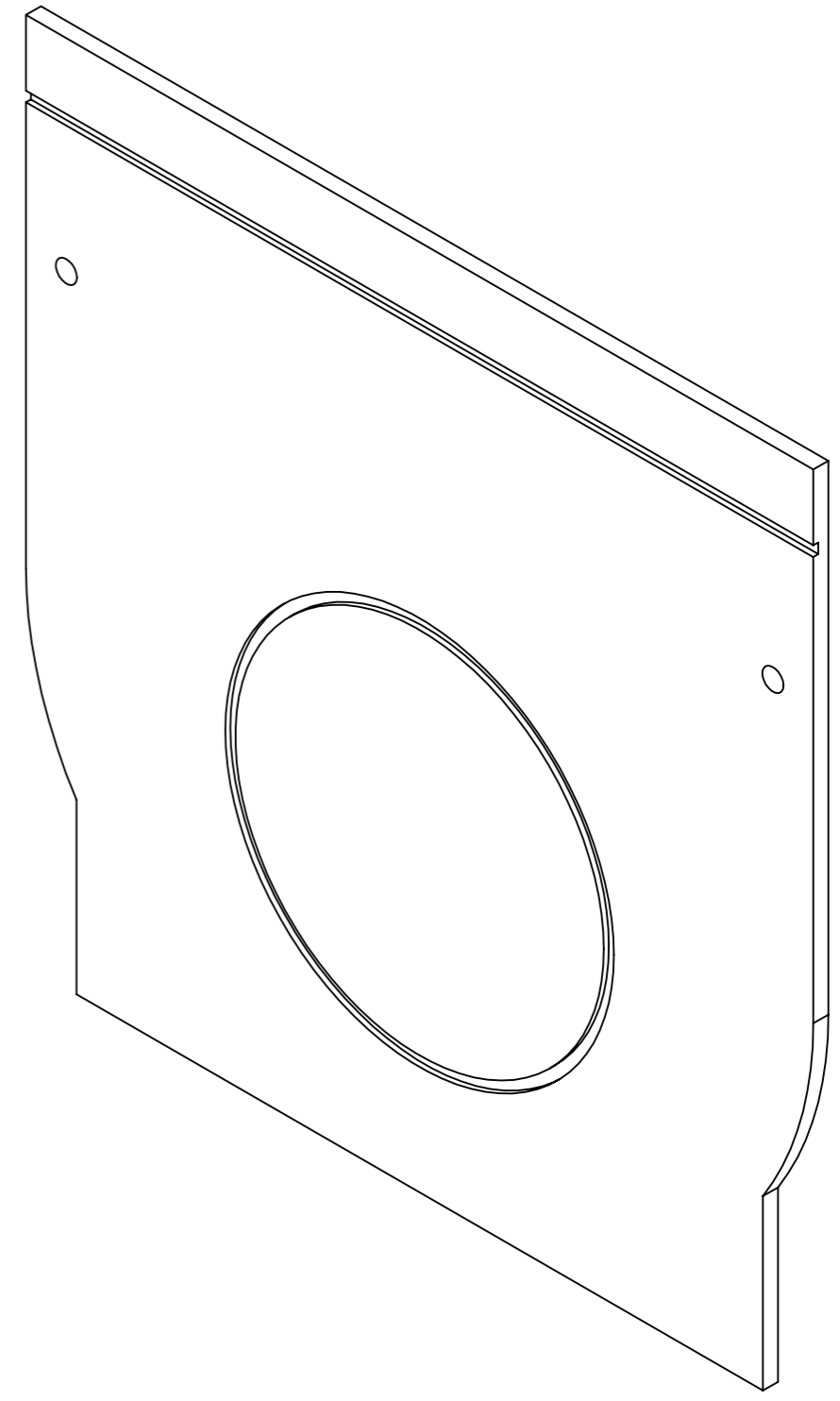
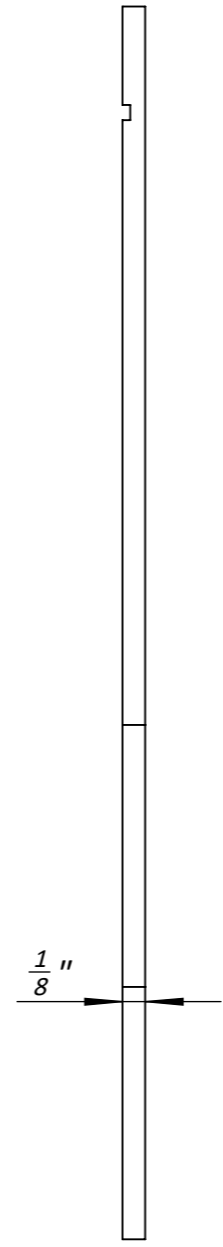
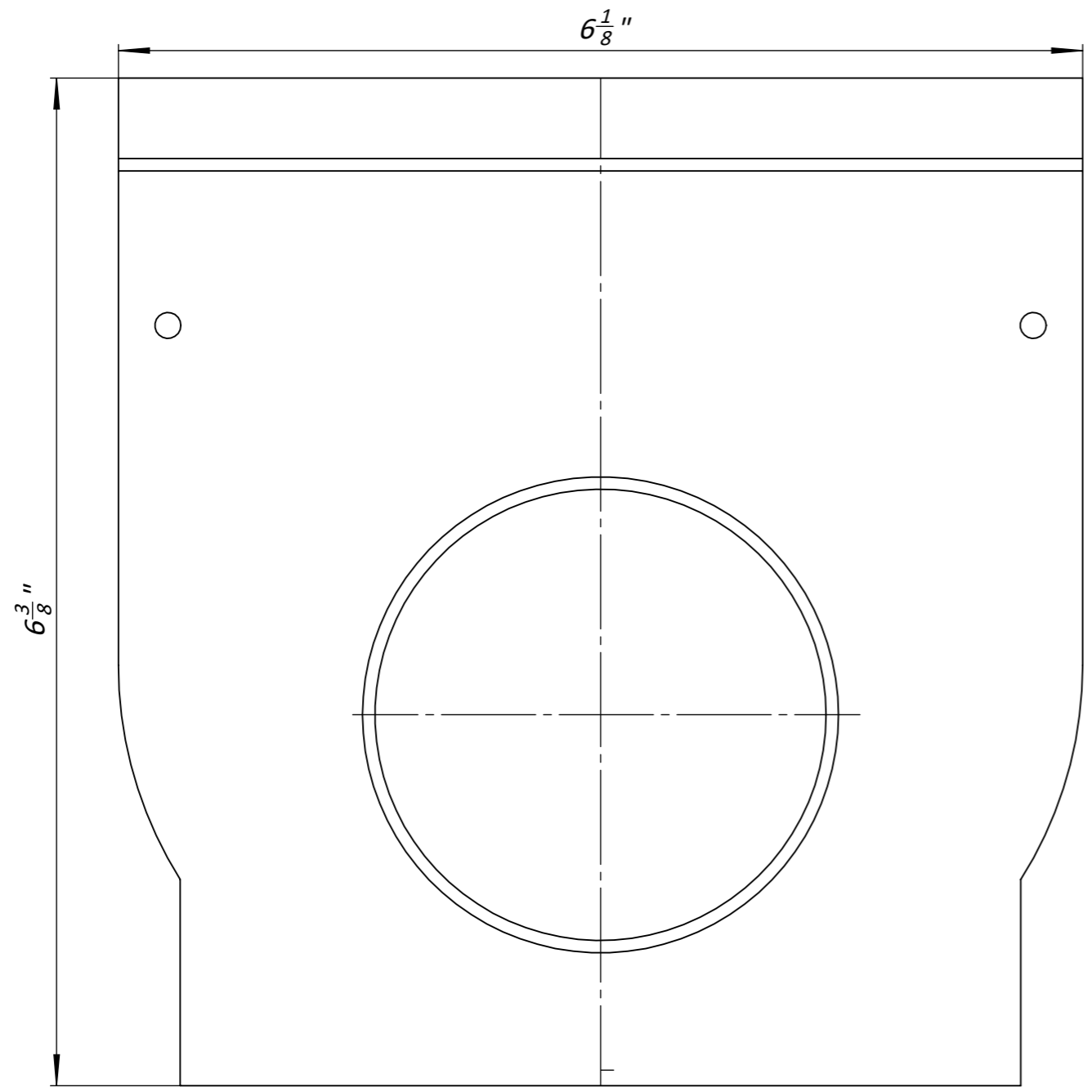


Primary Usage
Reference No.
Sign. and date
Copy inv. No.
Repl. Inv. No.
Sign. and date
Orig. Inv. No.

4" End Cap



1. Deviation of the actual weight of the nominal can be up to 12%

					Art. 6301-M			
					4" End Cap			
Rev.	Sheet	Doc. No.	Sign.	Data	6301-M	Let.	Weight (lb)	Scale
				05.07.19			0.15	1:1
					Sheet		Sheets 1	
					Plastic			