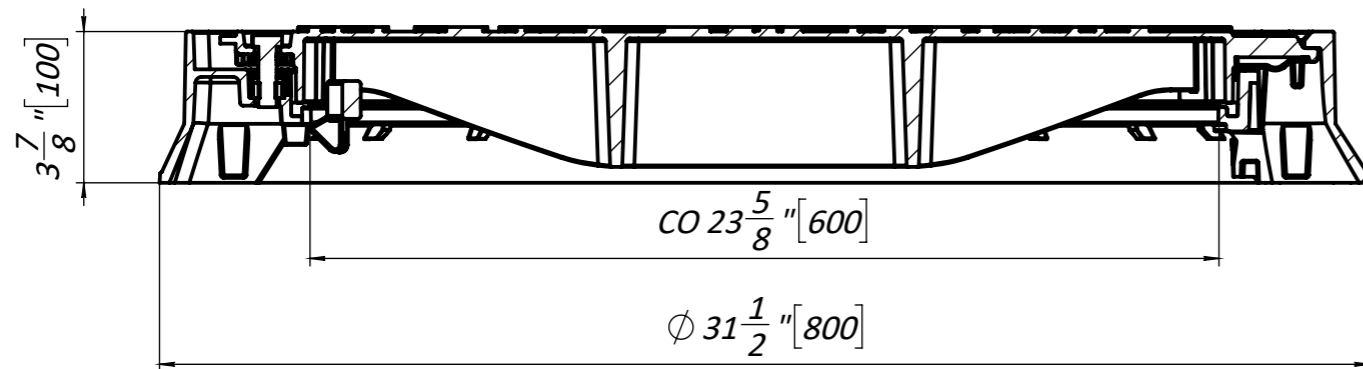



A-A  
1:5



1. Deviation of the actual weight of the nominal can be up to 10%
2. Dimensions for reference inch, [mm]

UNLESS OTHERWISE SPECIFIED: DIMENSIONS ARE IN MILLIMETERS		FINISH:		DO NOT SCALE DRAWING		REVISION	
SURFACE FINISH:							
TOLERANCES: ISO 2768-c							
LINEAR:				TITLE:			
ANGULAR:				24" Cast iron manhole D32" round heavy with a lock and sealing gasket Wave D400			
				Load class: D400			
				ARTICLE:		A3	
				MATERIAL:		35258-55U	
				Cast iron			
				WEIGHT: 103,22 lbs/ 46,81 kg.		SCALE:1:5	
						SHEET 1 OF 1	