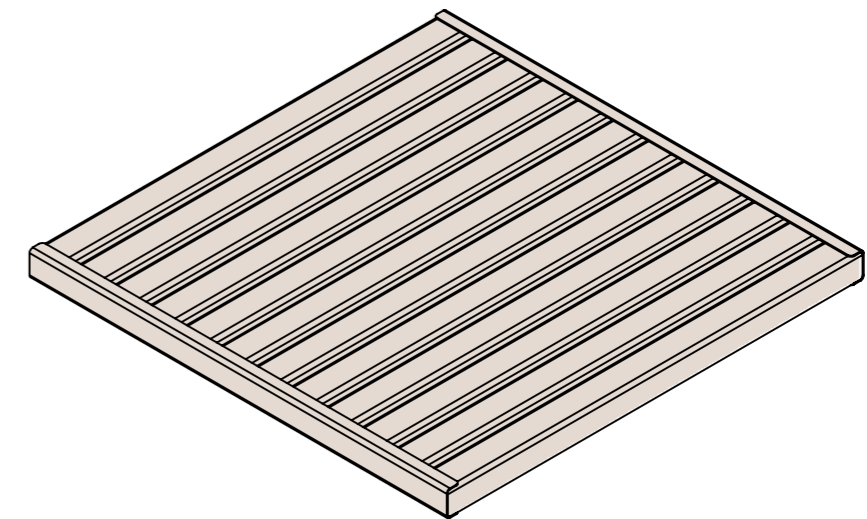
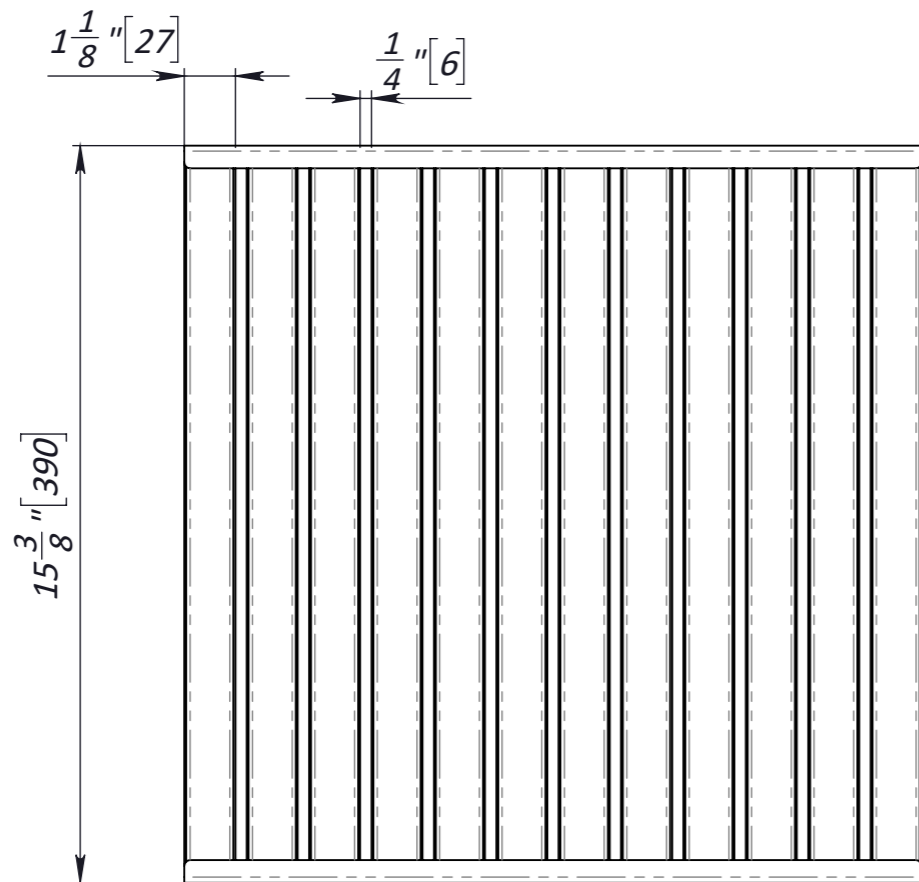
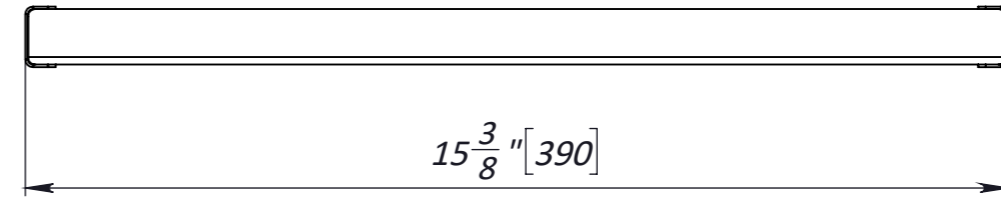



A
90°



A ←

1. Dimensions for reference, inch [mm]
2. Delivery and packaging are carried out in accordance with the terms of the contract
3. The manufacturer reserves the right, without notice to the consumer, to make changes to the design of the products for improvement of their technological and operational parameters, which will not affect the quality and properties of the product.

UNLESS OTHERWISE SPECIFIED: DIMENSIONS ARE IN MILLIMETERS		FINISH: Passivation		DEBURR AND BREAK SHARP EDGES		DO NOT SCALE DRAWING		REVISION	
SURFACE FINISH:								TITLE: 16"x16" Base Stainless Steel Grate HeelProof A15	
TOLERANCES: LINEAR: ANGULAR:									
DRAWN	M.YUM	SIGNATURE	DATE	22.07.22			ARTICLE: 345018		A3
CHK'D					MATERIAL: Stainless Steel (AISI 304)		SCALE:1:4		SHEET 1 OF 1
APPV'D					WEIGHT: 6 lb /2.75kg				
MFG									
Q.A									