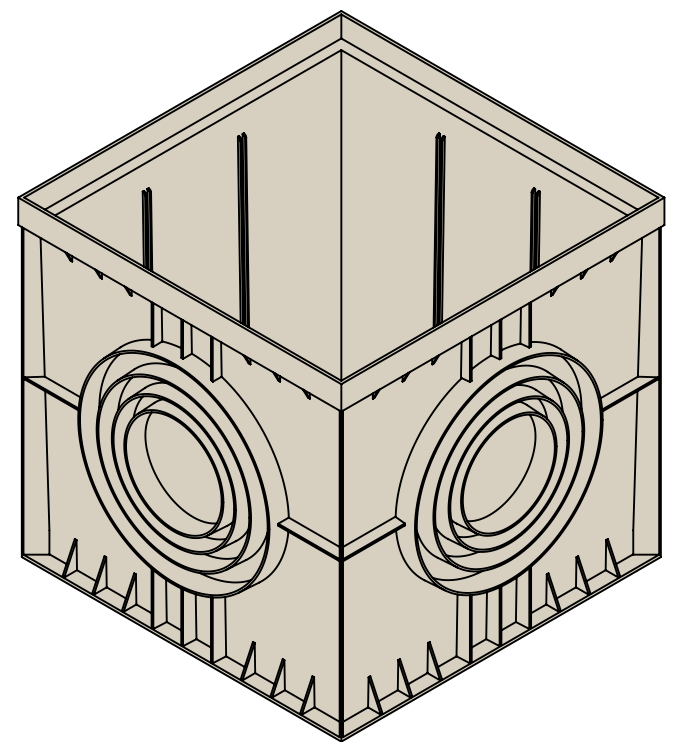
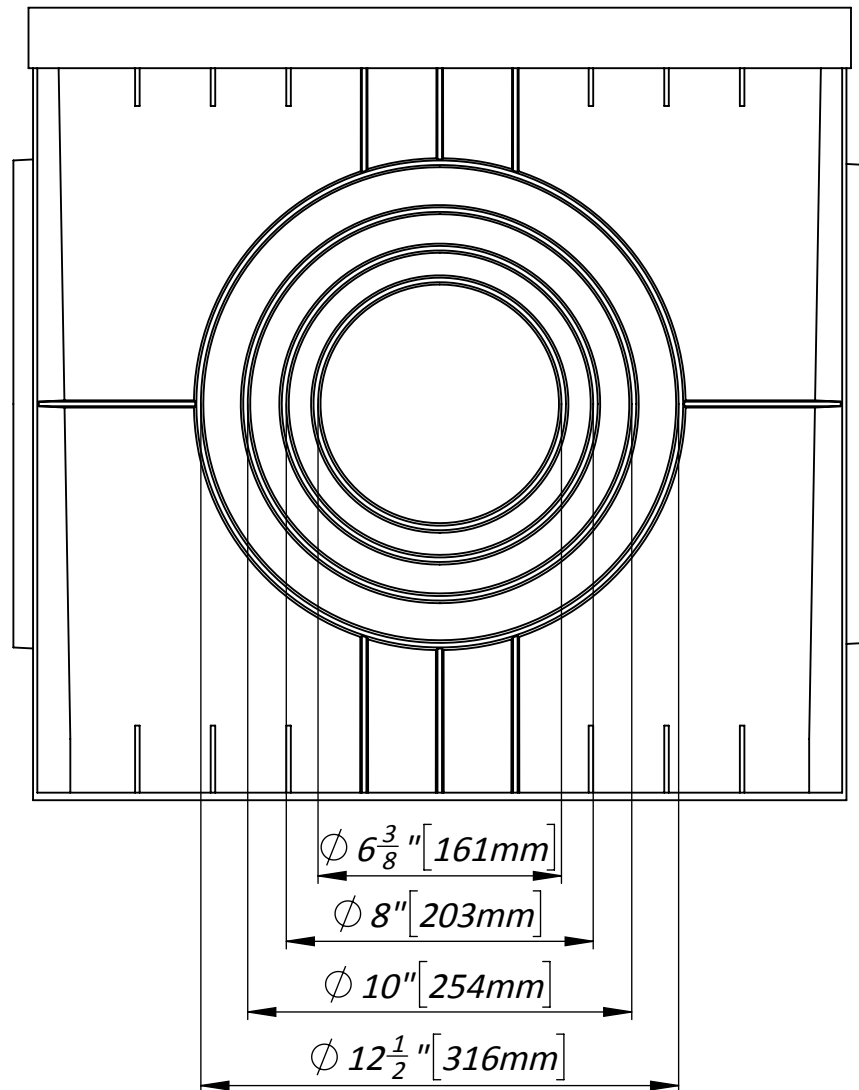
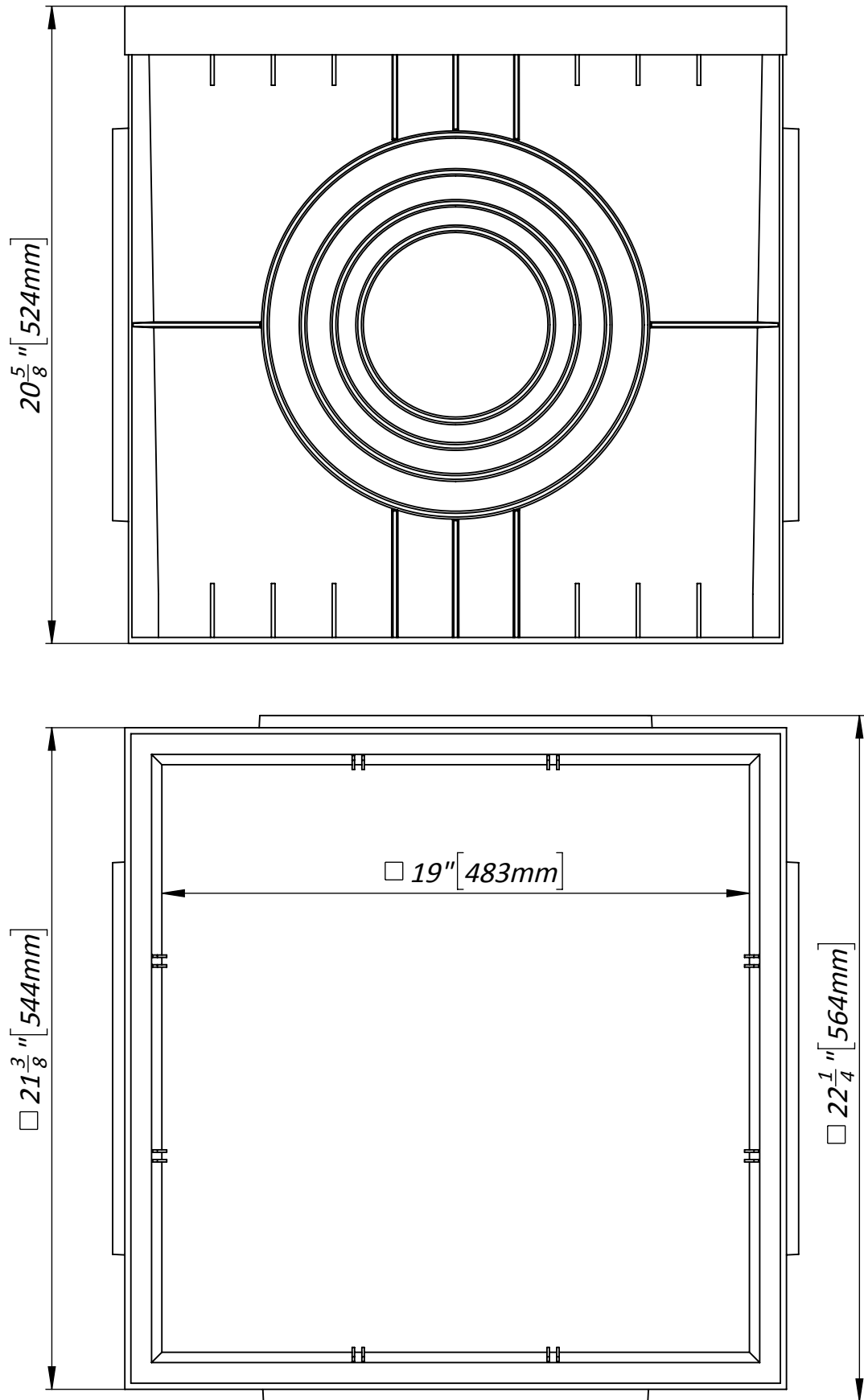


Orig. Inv. No.	Sign. and date	Repl. Inv. No.	Copy inv. No.	Sign. and date	Reference No.	Primary Usage
----------------	----------------	----------------	---------------	----------------	---------------	---------------

22x22 Plastic Catch Basin



Deviation of the actual weight of the nominal can be up to 10%

				Art. 8370-S				
				22x22 Plastic Catch Basin				
Rev.	Sheet	Doc. No.	Sign.	Data	8570-S	Let.	Weight (lb)	Scale
				11.09.18			18.5	1:5
					Sheet		Sheets 1	
					Plastic			