

6

5

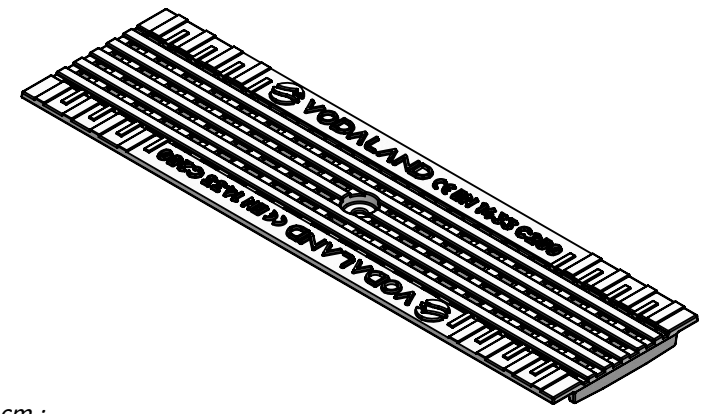
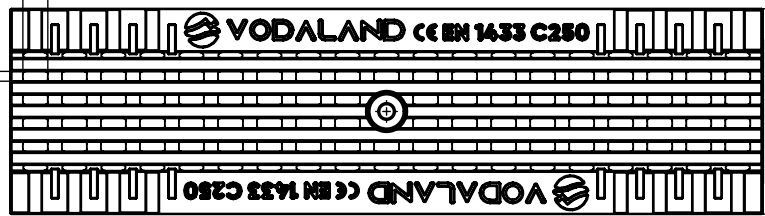
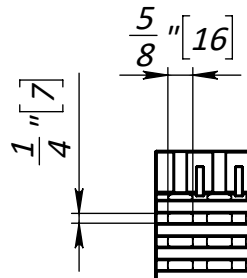
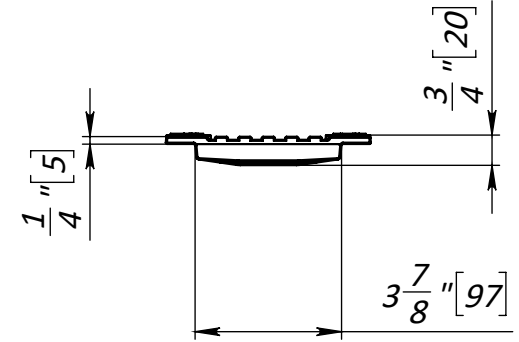
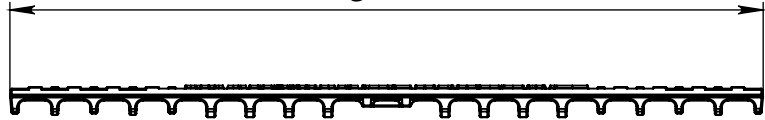
4

3

2

1

19 5/8" [498]



- 1. Dimensions for reference, inch [mm]
- 2. Area of water intake slots 6.33 sq inch / 40.85 sq cm ;
- 3. Deviation of the actual weight of the nominal can be up to 10%

UNLESS OTHERWISE SPECIFIED: DIMENSIONS ARE IN MILLIMETERS SURFACE FINISH: TOLERANCES: ISO 2768-c LINEAR: ANGULAR:				FINISH:		DO NOT SCALE DRAWING		REVISION		
						TITLE: 4" ADA Cast iron slotted grate Base C250				
						Load class: C250				
						MATERIAL: Cast iron		Article: 20403-ADA		A4
						WEIGHT: 6.61 lb / 3.00 kg		SCALE: 1:5		SHEET 1 OF 1

	NAME	SIGNATURE	DATE			
DRAWN	LMV		25.07.22			
CHK'D	LMK					
APPV'D						
MFG						
Q.A						

6

5

4

3

2

1

D

D

C

C

B

B

A

A