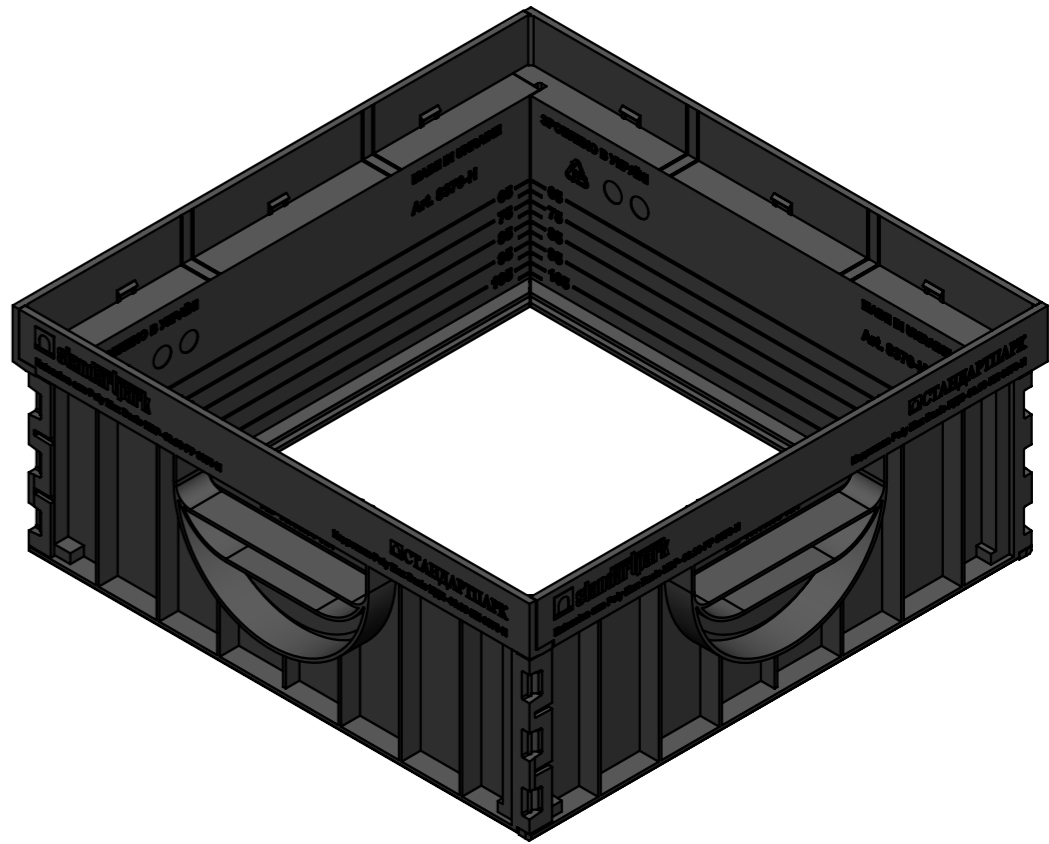
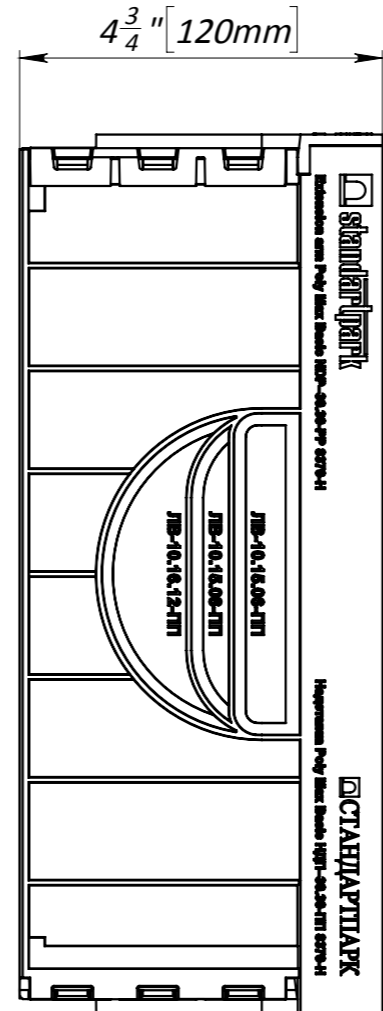
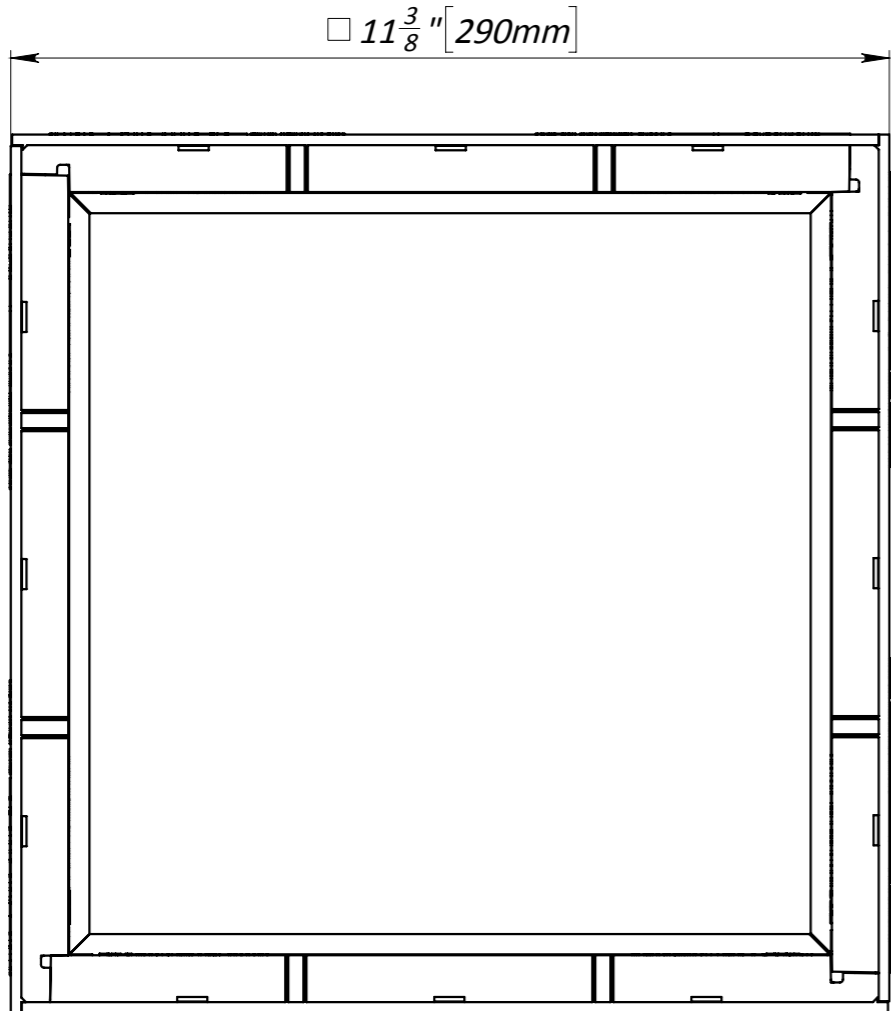


Primary Usage	Reference No.	Sign. and date	Copy inv. No.	Repl. Inv. No.	Sign. and date	Orig. Inv. No.
---------------	---------------	----------------	---------------	----------------	----------------	----------------

12x12 Plastic Catch Basin Extension



					Art.	8370-N		
					12x12 Plastic Catch Basin Extension			
Rev.	Sheet	Doc. No.	Sign.	Data	8370-N	Let.	Weight (lb)	Scale
				06.02.16			2.0	1:2.5
					Sheet		Sheets 1	
					Plastic			