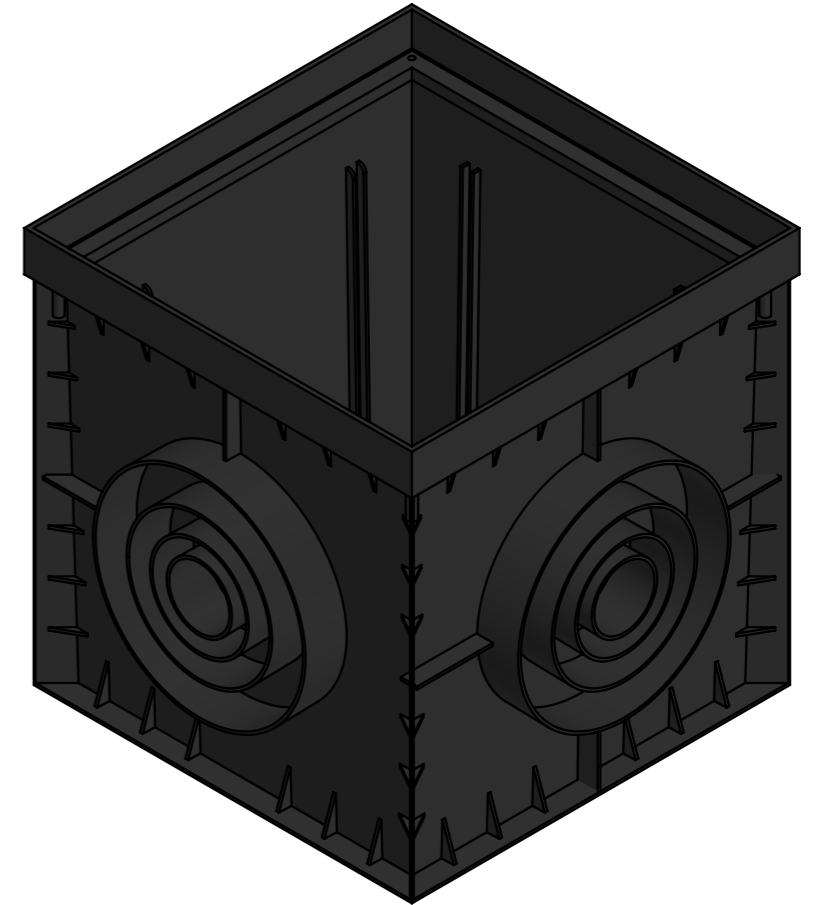
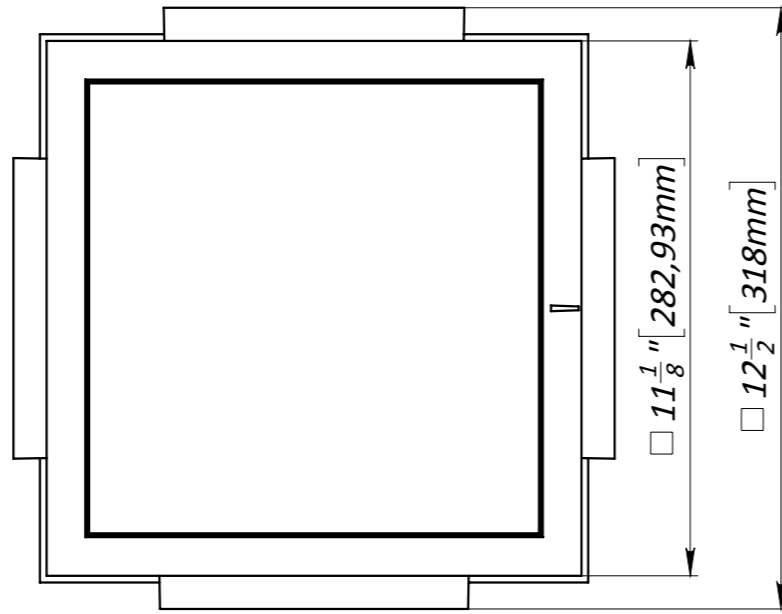
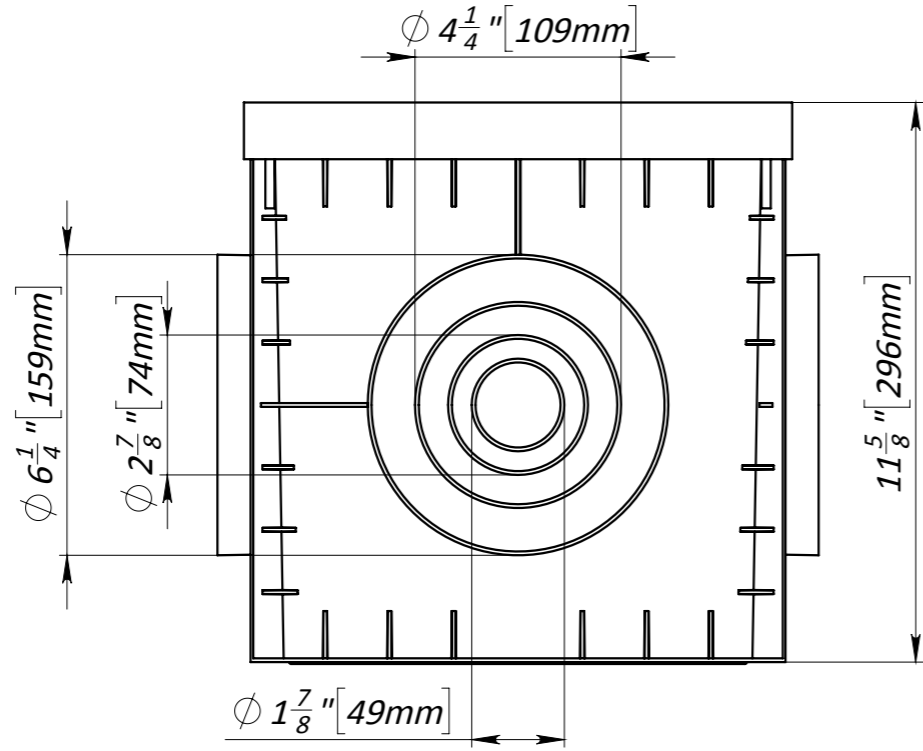


Orig. Inv. No.	Sign. and date	Repl. Inv. No.	Copy inv. No.	Sign. and date	Reference No.	Primary Usage
----------------	----------------	----------------	---------------	----------------	---------------	---------------

12x12 Plastic Catch Basin



Deviation of the actual weight of the nominal can be up to 10%

					Art. 8370-CH			
					12x12 Plastic Catch Basin			
Rev.	Sheet	Doc. No.	Sign.	Data	8370-CH	Let.	Weight (lb)	Scale
				11.09.18			4.0	1:4
						Sheet	Sheets 1	
					Plastic			