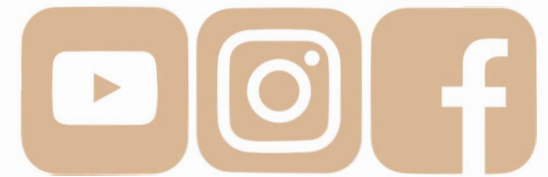




Includes everything you need:

- wood dowel
- cotton cord



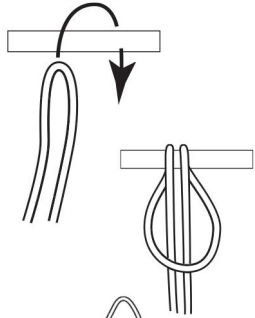
@jewelrymadebyme

Shop full line of DIY Kits
Magasiner toute la gamme
de trousse de bricolage
www.jewelrymadebyme.com



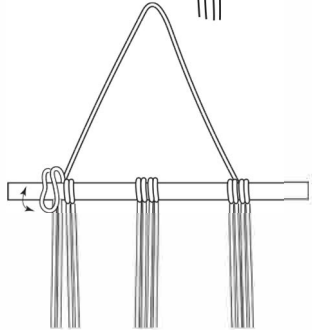
INSTRUCTIONS

1.

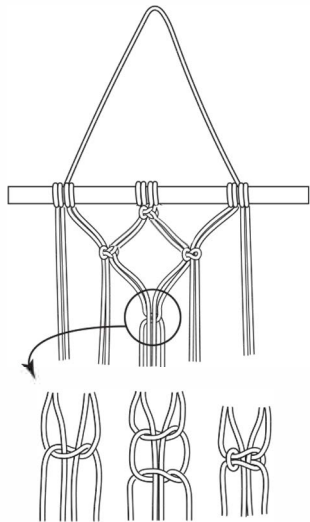


Cut 6 lengths of cord, 48in each and use a Lark's Knot to tie each cord to the wood dowel - two cords centered and two cords on each left and right sides.

Cut a 18in length of cord and tie to wood dowel to hang.

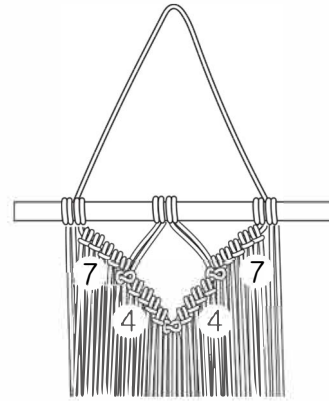


2.



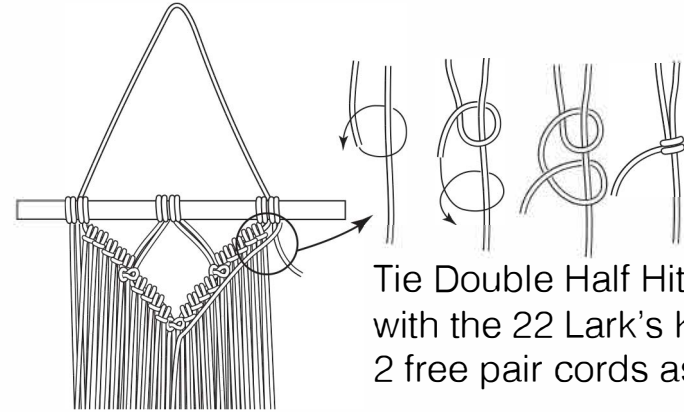
Use Square Knots to tie the cords as shown.

3.



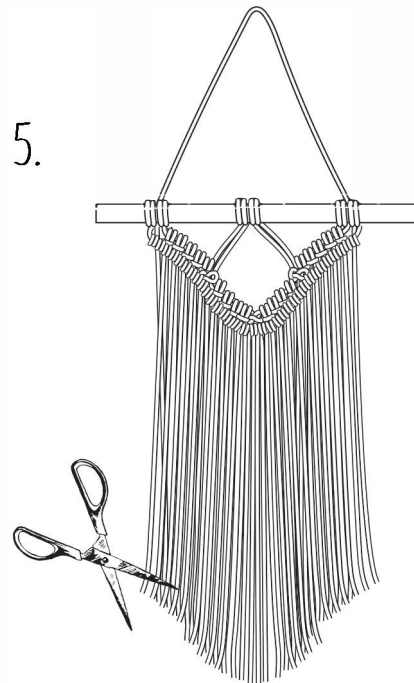
Cut 22 lengths of cord, 30in each and use Lark's Knots to tie along the knotted cords as shown, leaving the two outside pairs of cord free.

4.



Tie Double Half Hitch Knots with the 22 Lark's Knot cords + 2 free pair cords as illustrated.

5.



Cut excess cord ends as desired.