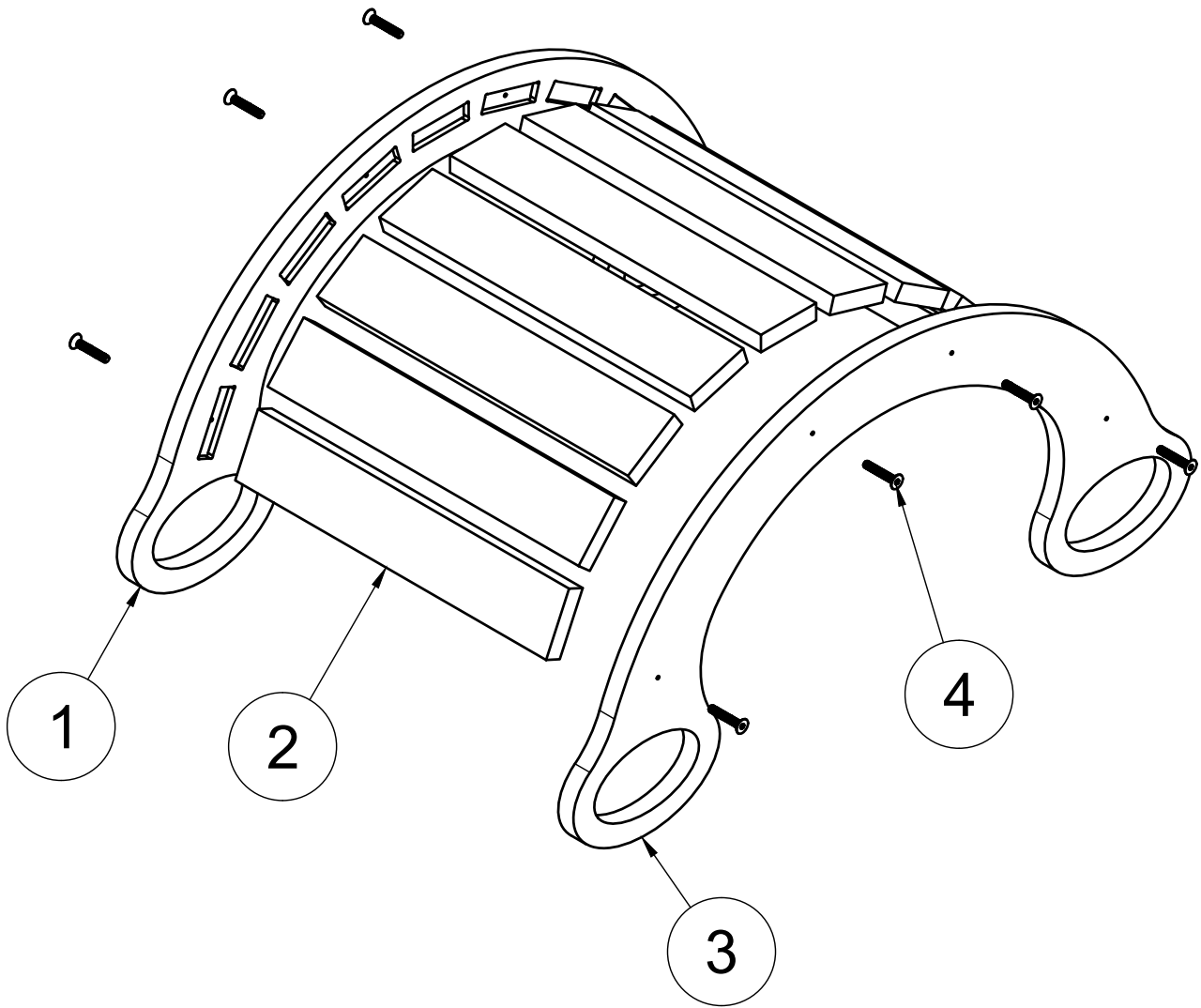


Rocker-Arch



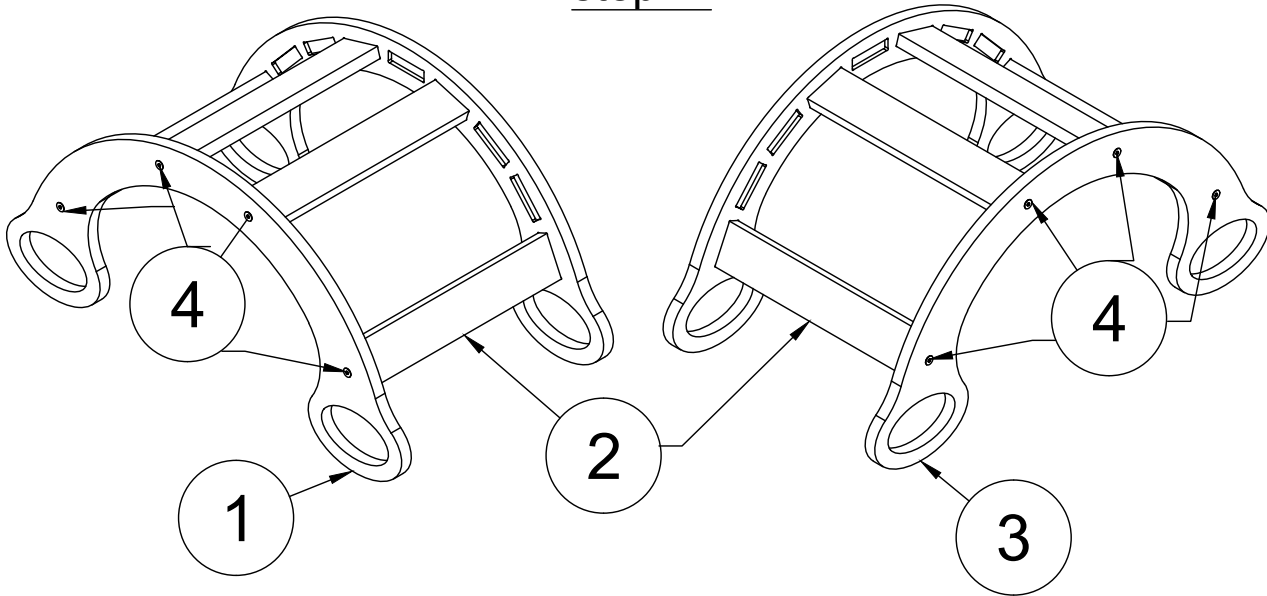
PARTS LIST		
PART NUMBER	ITEM	QTY
SIDE-B	1	1
RAIL-1	2	9
SIDE-A	3	1
1/4" X 1-1/2" BOLT	4	8



REAL • PLAY • KIDS
Austin, Texas

1. Install 4- Rails into Side-A and Side-B using eight- 1-1/4" Bolts.

Leave Bolts loose until step-2.



2. Install remaining Rails and tighten Bolts

