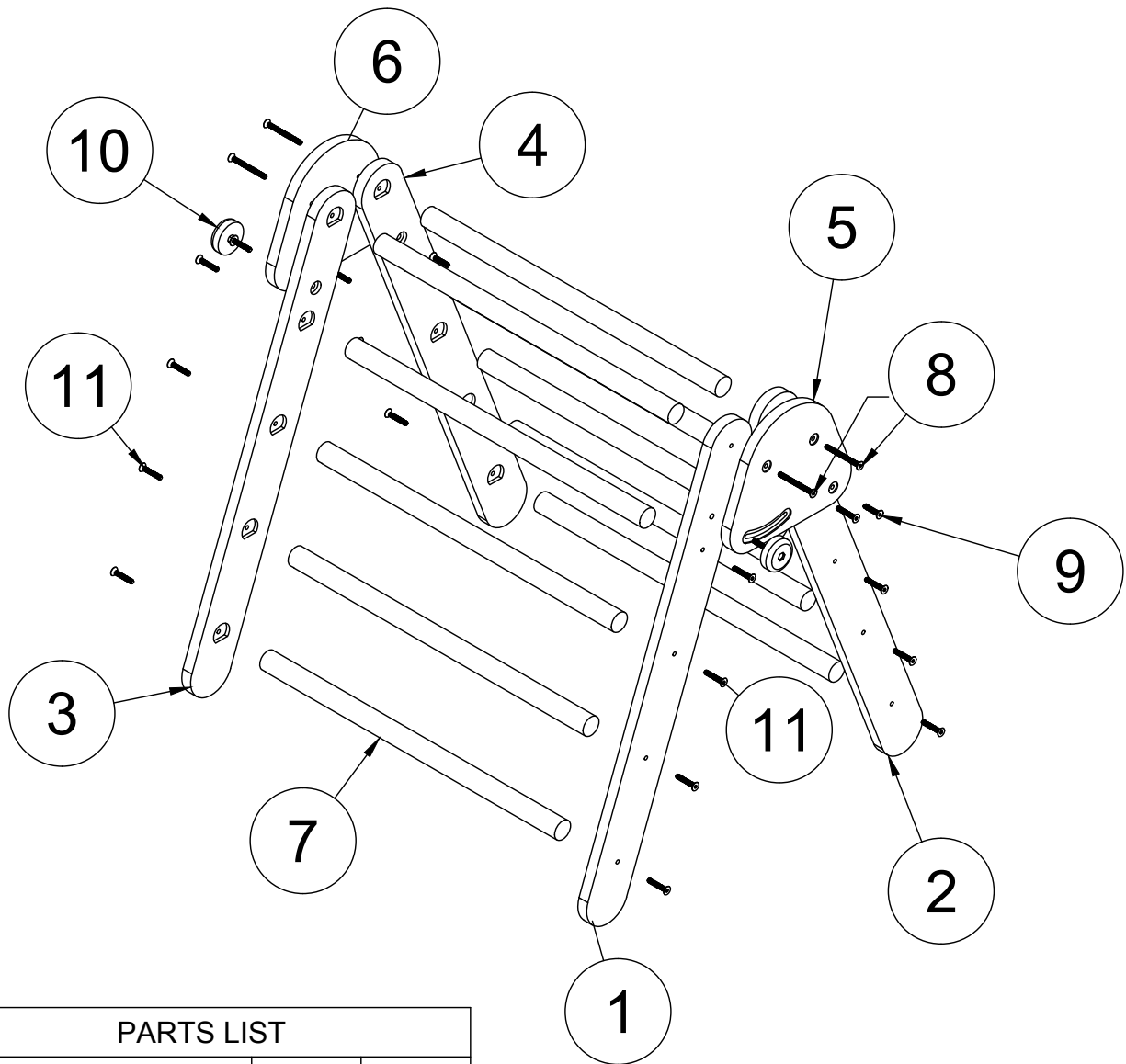


# PIKLER TRIANGLE



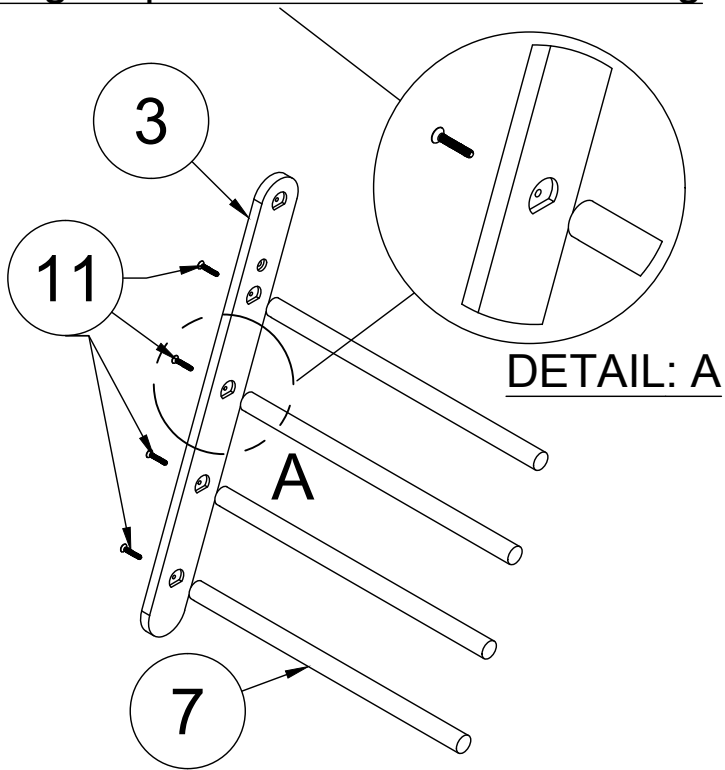
PARTS LIST		
PART NUMBER	ITEM	QTY
LEG-A1	1	1
LEG-A2	2	1
LEG-B1	3	1
LEG-B2	4	1
BRACKET-A	5	1
BRACKET-B	6	1
DOWELS	7	1
1/4" X 2-3/4" BOLT	8	4
1/4" X 1-1/4" BOLT	9	2
HANDEL-2	10	2
1/4" X 1-1/2" BOLT	11	16



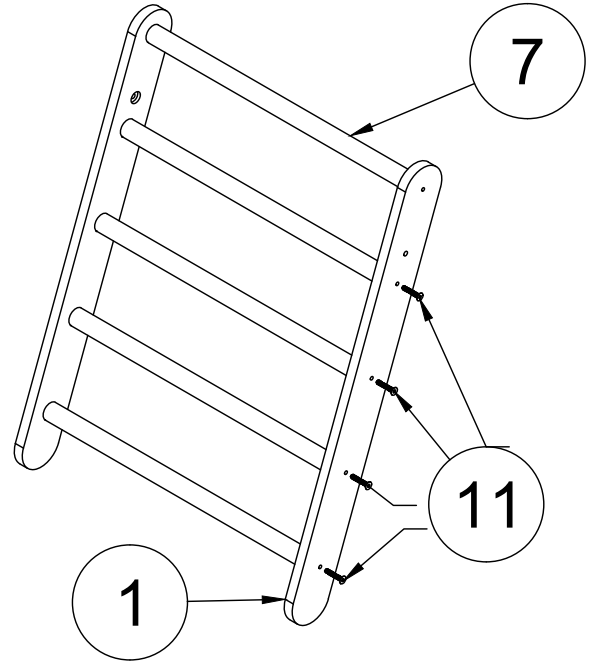
**REAL • PLAY • KIDS**  
Austin, Texas

**1.** Install 4-Dowels onto Leg-B using four-1-1/2" Bolts.

Align square-side of Dowel with leg.

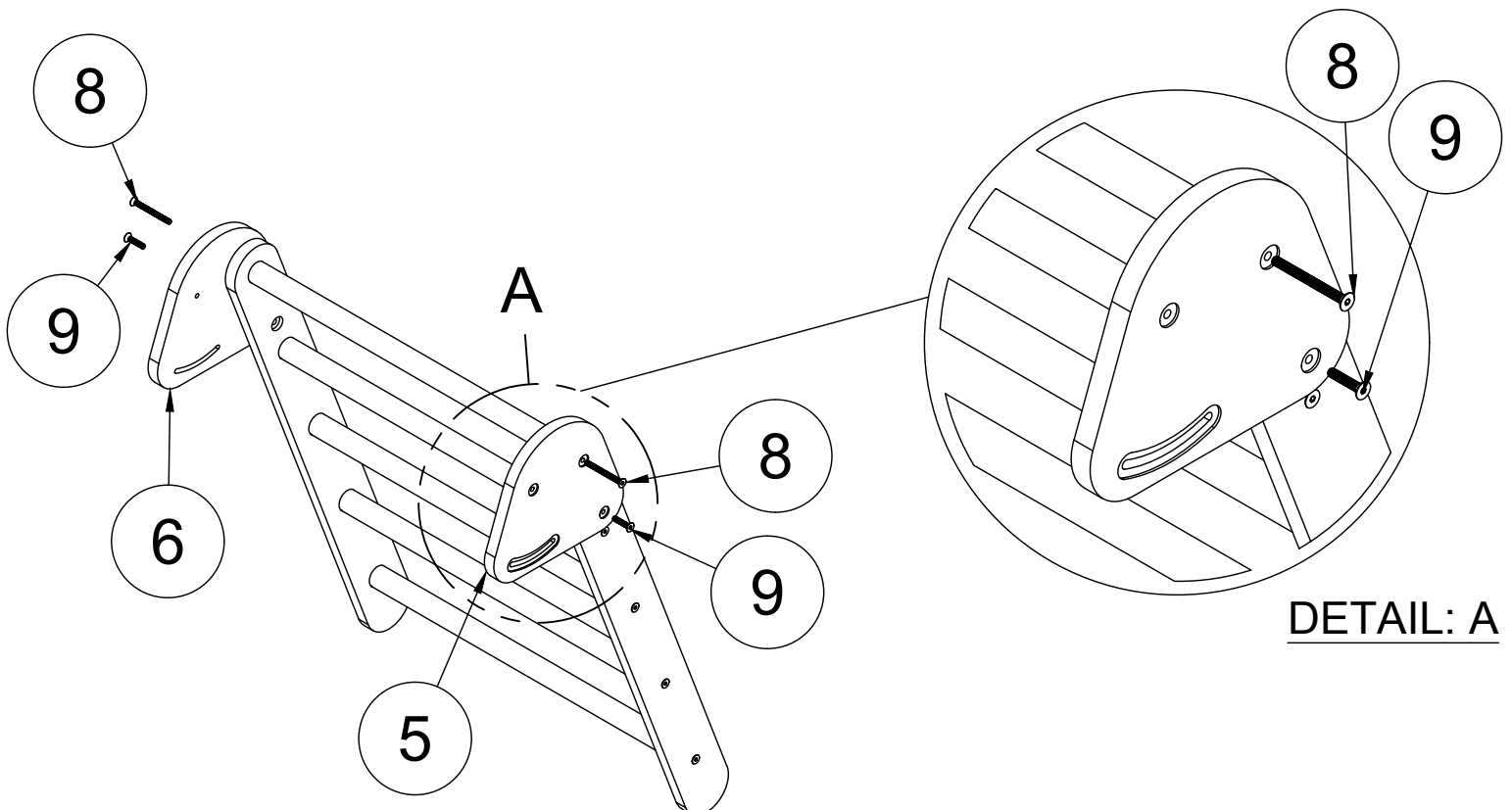


**2.** Insert top-Dowel and attach Leg-A using four-1-1/2" Bolts

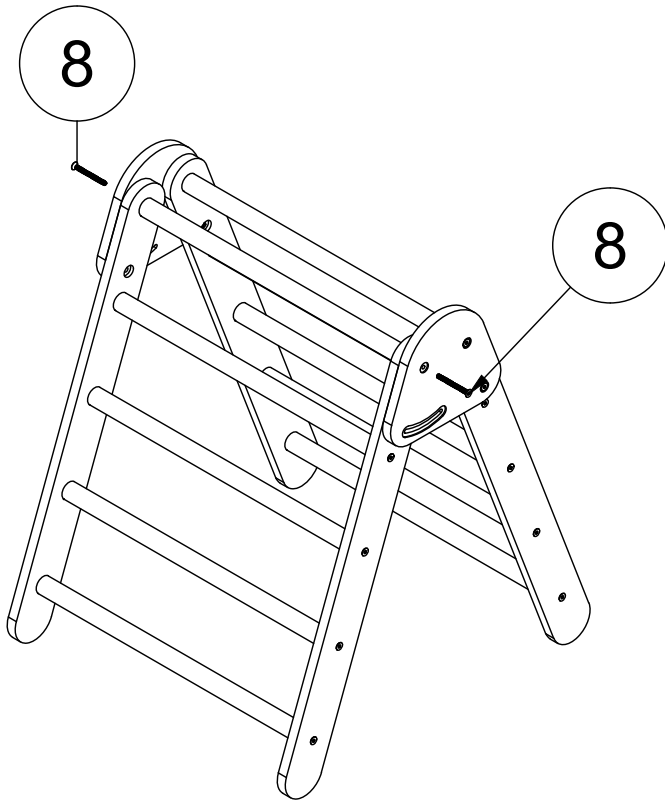


Repeat steps 1 and 2  
to build two-Leg Sets

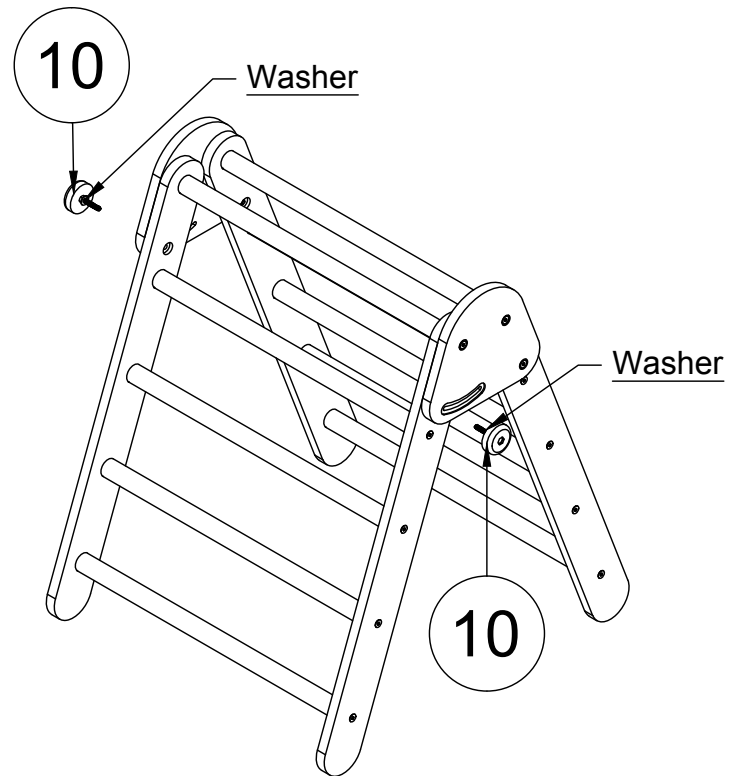
**3.** Install Bracket-A and Bracket-B onto a Leg Set using, one-1-1/4" Bolt and one- 2-3/4" Bolt for each Bracket.



4. Install second Leg Set to Leg Brackets using two- 2-3/4" Bolts.

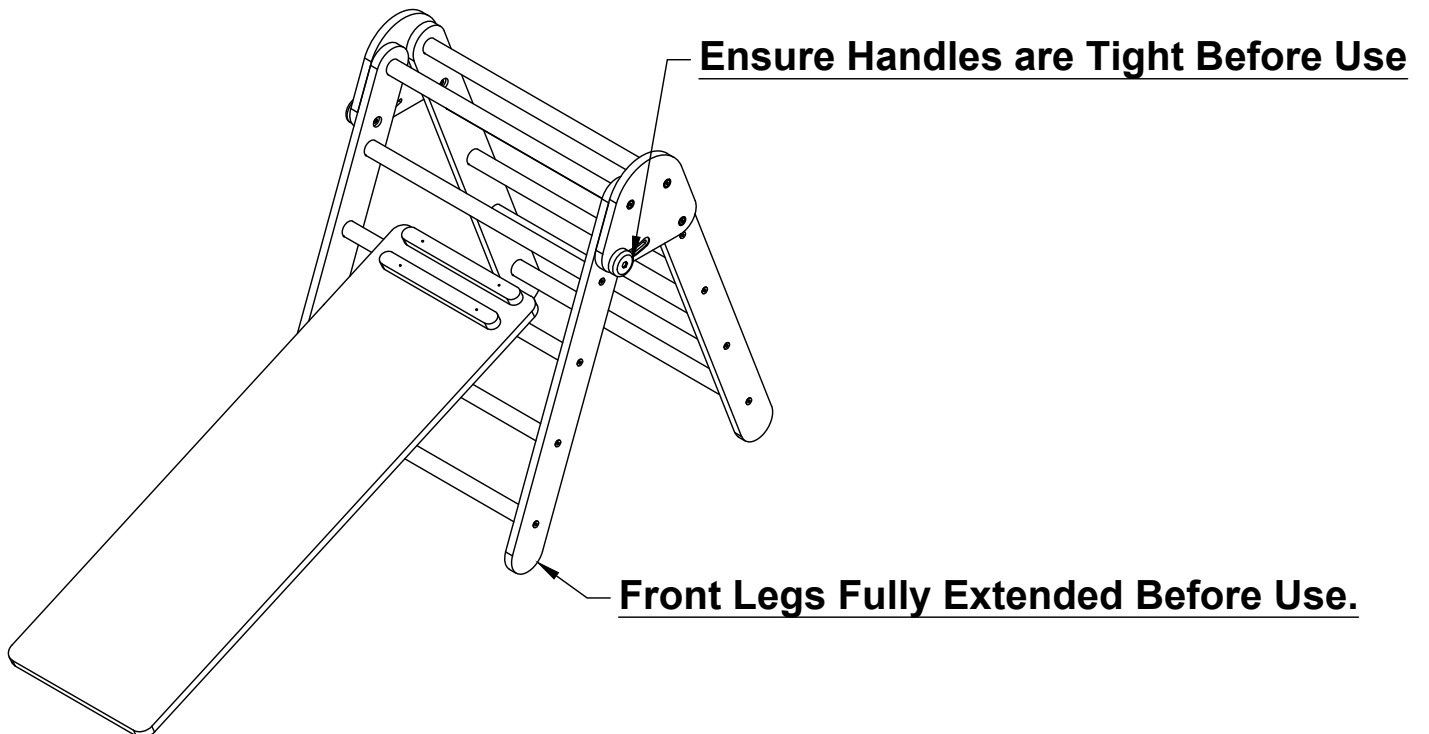


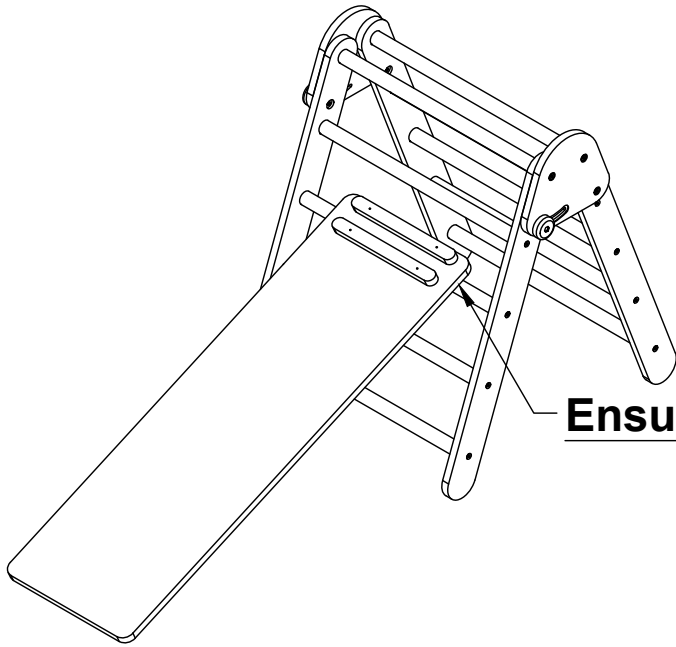
5. Screw on Handles with one-Washer on each side.



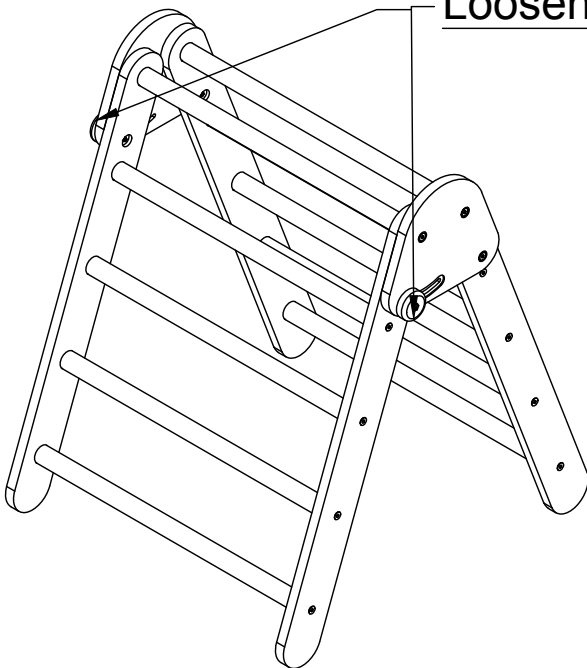
Pikler is now assembled.

Make sure Front Leg is Fully Extended and Handles are Fully tightened, Pikler is now ready for Play.





Ensure Plank is secured between a Dowel



Loosen Handels and fold legs for storage