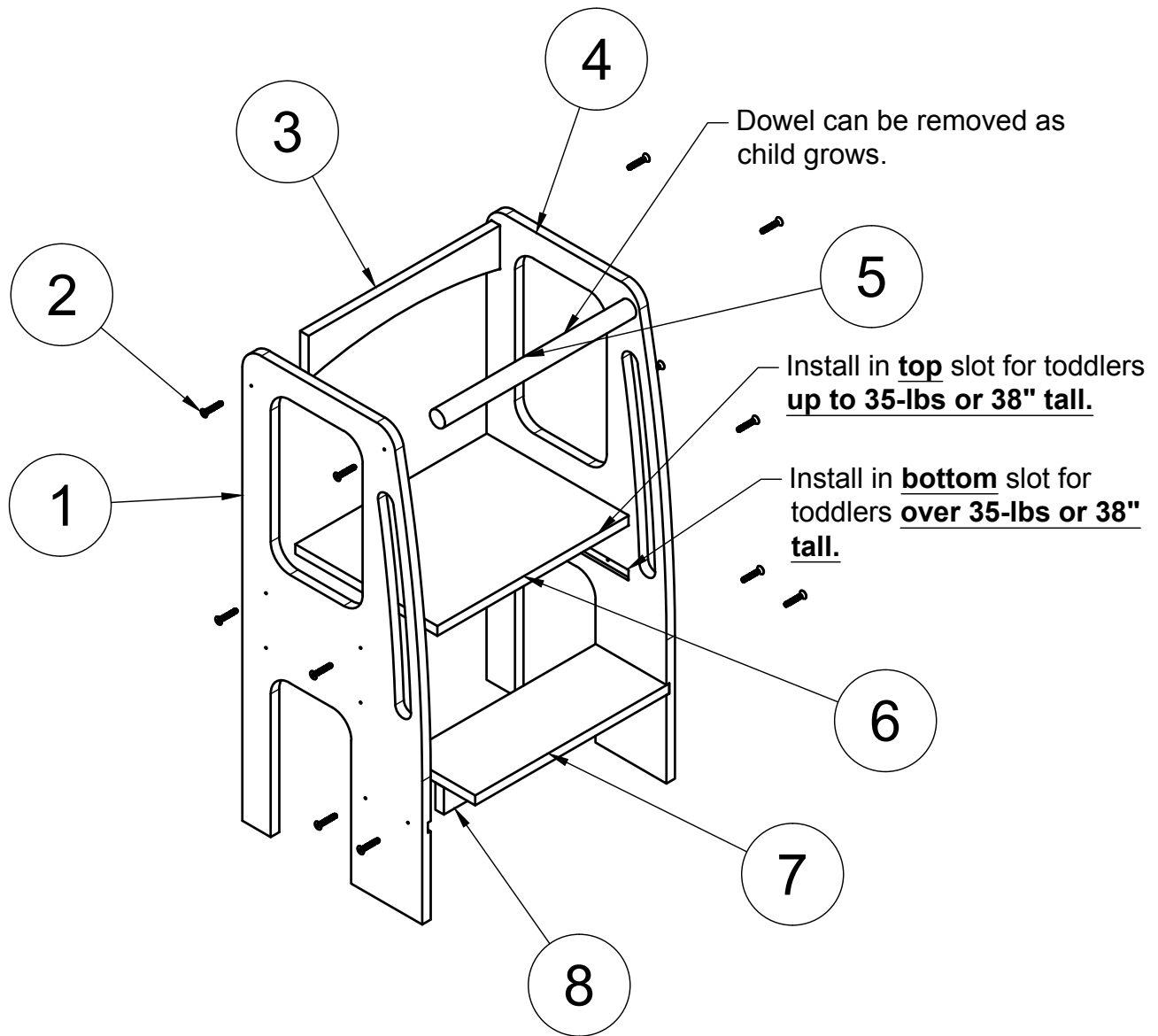


# Learning Tower



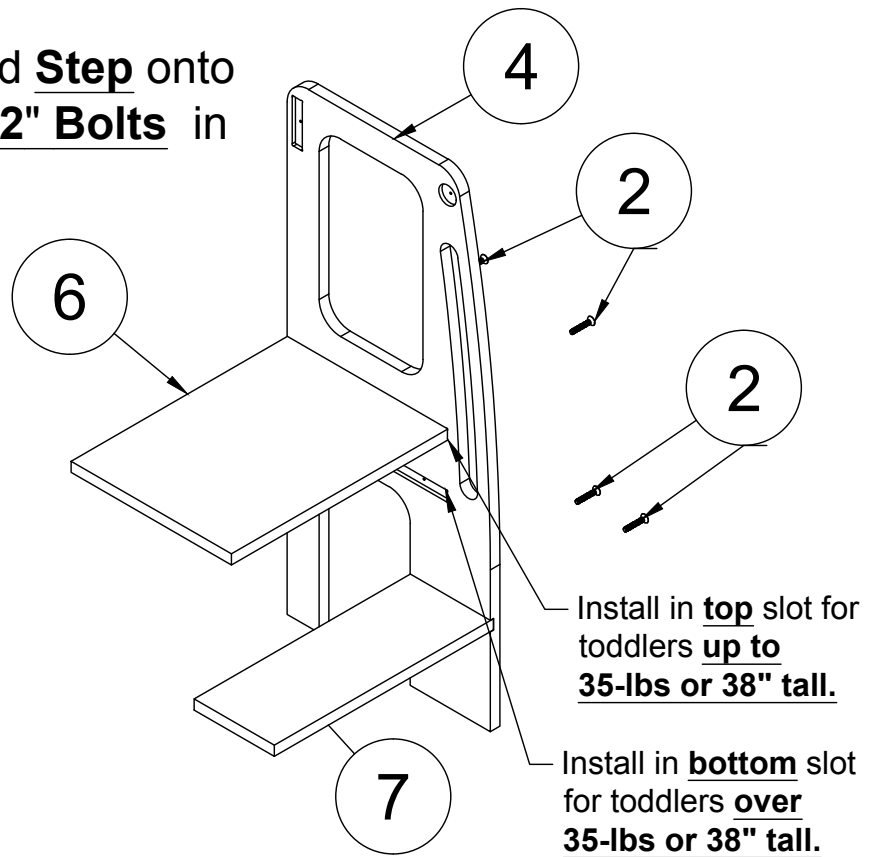
PARTS LIST		
PART NUMBER	ITEM	QTY
SIDE-A	1	1
1/4" X 1-1/2" BOLT	2	12
FRONT BAR	3	1
SIDE-B	4	1
BACK DOWELL	5	1
PLATFORM	6	1
STEP	7	1
STEP SUPPORT	8	1



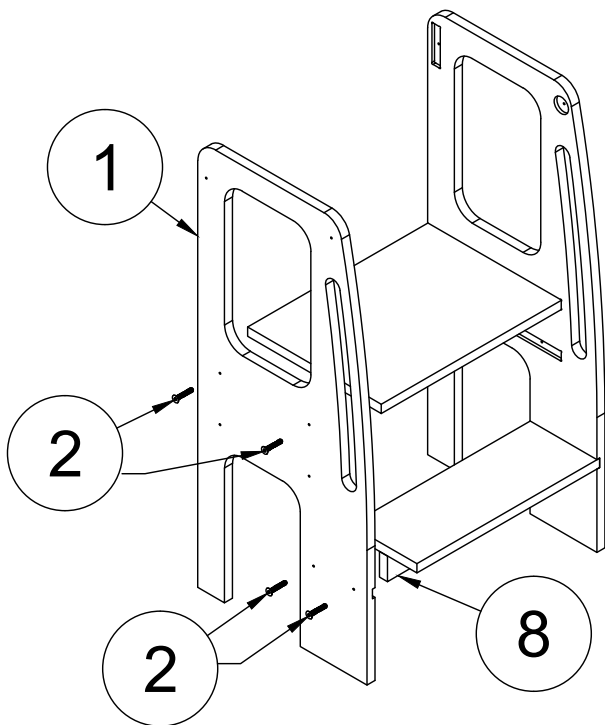
**REAL • PLAY • KIDS**

Austin, Texas

**1.** Install Platform and Step onto Side-B using two- 1-1/2" Bolts in each.



**2.** Slide Step-Support into place under step. Install Side-A using four- 1-1/2" Bolts



**3.** Install Front-bar and Back-Dowel using four- 1-1/2" bolts.

