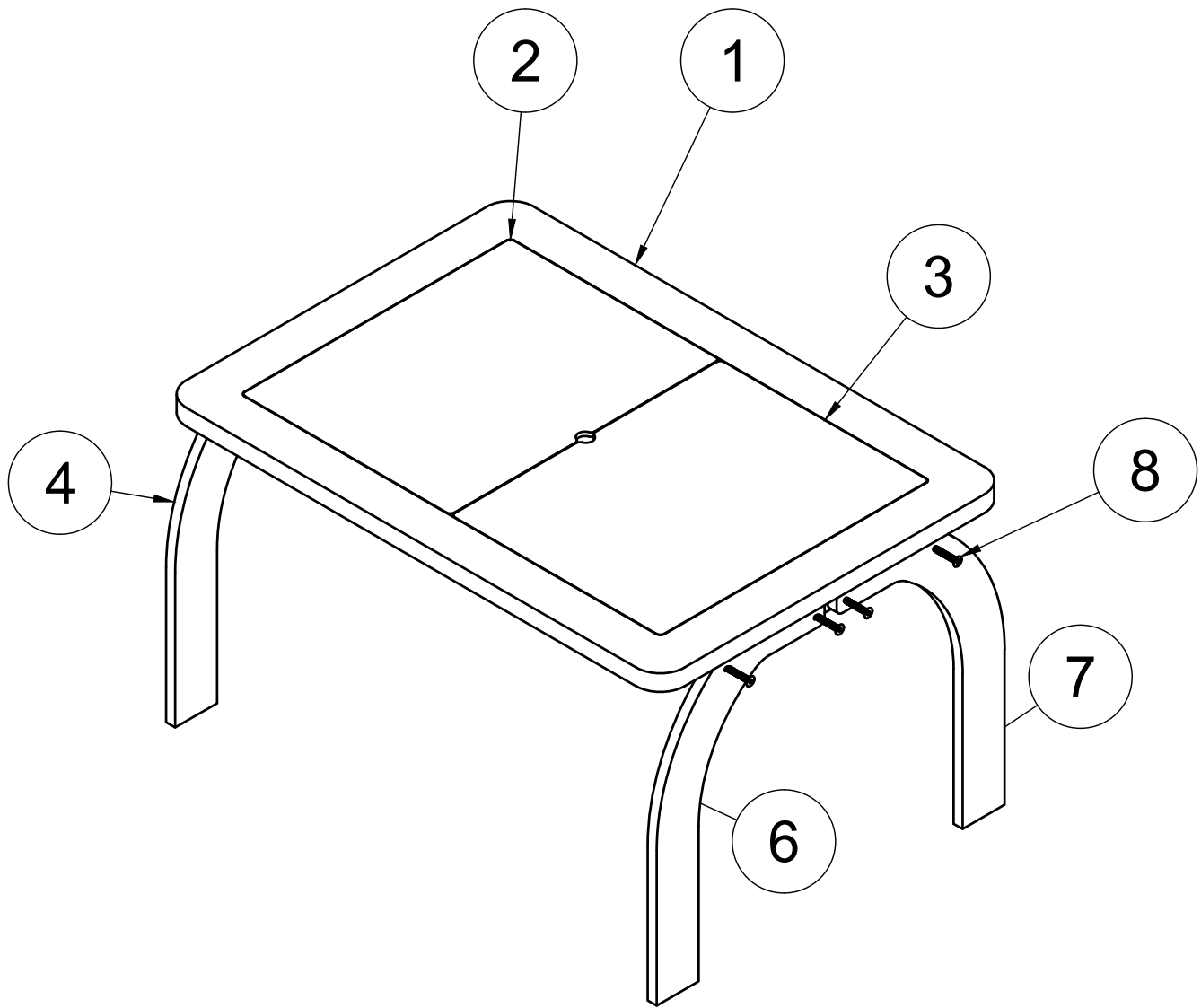


SENSORY TABLE

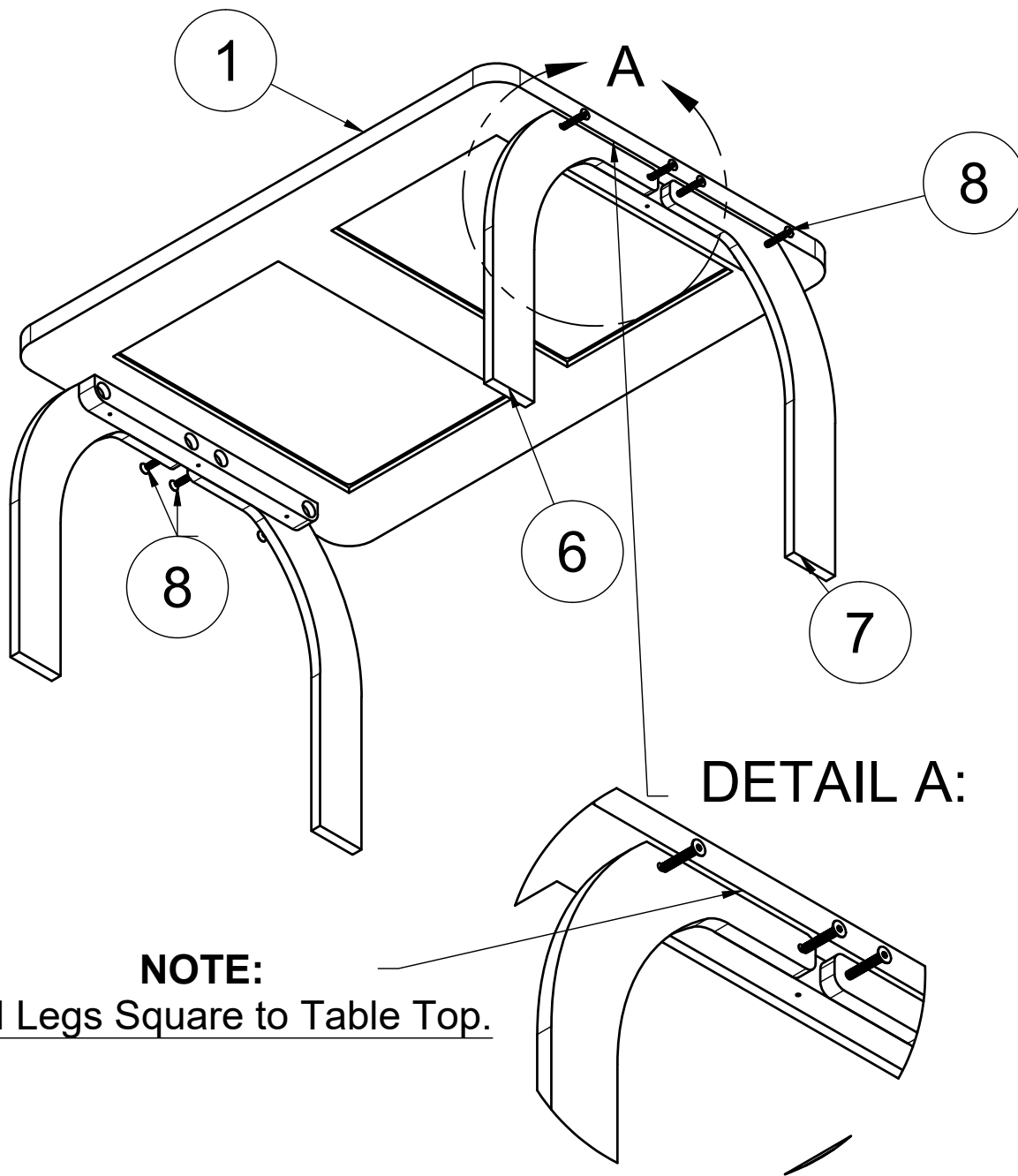


PARTS LIST	
ITEM	PART NUMBER
1	TABLE_TOP
2	LID-A
3	LID-B
4	LEG_A
5	LEG_B
6	LEG_C
7	LEG_D
8	BOLTS



REAL • PLAY • KIDS
Austin, Texas

1. Install **Legs** onto bottom of **Table-Top** using two- **1-1/4" Bolts** in each leg. Using the included allen key.



NOTE:
Install Legs Square to Table Top.

The table is now ready for hours of open-ended play!



REAL • PLAY • KIDS

Austin, Texas